

# BE LINEA R15 2B 29.17

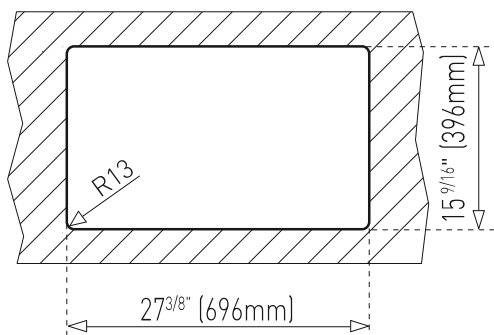
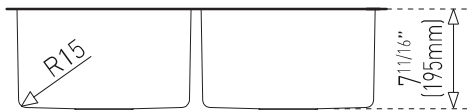
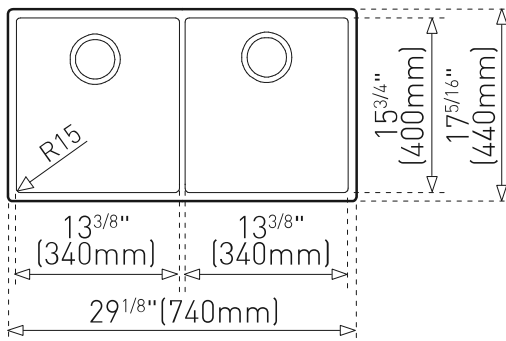
Stainless steel kitchen sink  
Undermount

TEKA



Material: Stainless steel  
Finish: Polished  
Installation: Undermount  
Drain size: 3 1/2"  
Gauge: 19  
*SilentSmart* system  
Includes: basket waste strainers and installation hardware

Dimensions:  
External (L/W): 29 1/8" x 17 5/16" (740 x 440 mm)  
Bowls (L/W/D): 13 3/8" x 15 3/4" x 7 11/16" (340 x 400 x 195 mm)



Tapholes	Code	UPC	Packaging
-	115030003	606896010101	Box



Limited lifetime warranty for TEKA stainless steel kitchen sinks.  
See our website for more details.



Product compliance:  
ASME A112.19.3/CSA B45.4



Sinks are listed by IAPMO as meeting the applicable requirements of the Uniform Plumbing Code, International Plumbing Code, and National Plumbing Code of Canada.