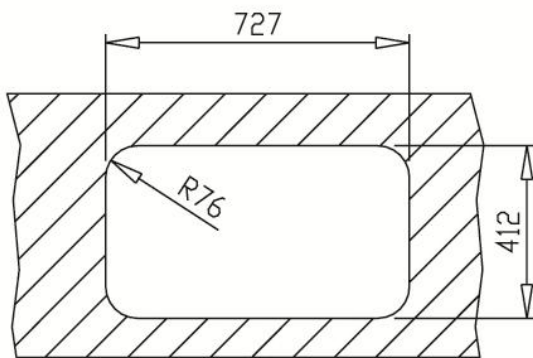
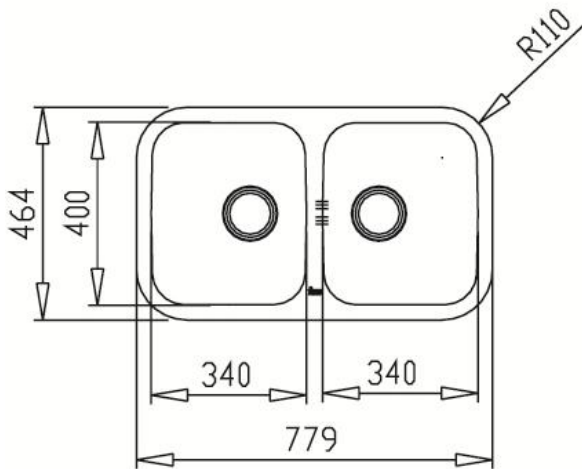


## BE 2B 780



## FEATURES

- Undermount
  - AISI 304
  - Thickness bowls: 1 mm
  - Thickness top: 1,2 mm
  - External dimensions: 779x 464 mm
  - Bowl dimensions: 340 x 400x 200 mm
  - 3 1/2" valve hole & overflow
  - Base units: 90 cm
  - Packaging: individual box
- 
- Accessories included:
    - 3 1/2" basket waste & Overflow
    - 3 1/2" basket waste
    - Installation clips
    - Installation Template

Code	EAN Code	Description
10125026	8421152031278	UNDERMOUNT SINK BE 2B 780