



Features

- Electro- mechanical Control Panel
- Fingerprint-proof Stainless Steel
- 30 automatic programmes
- Capacity: 2 cups
- Adjustable coffee dispenser
- Retractable pipe for steam and hot water
- Integrated coffee grinder
- Grinding coarseness regulator: 13 positions
- Coffee beans deposit: 200 gr
- Preground coffee deposit: 14 single/ 7 double
- Water tank: 1,8 litres
- Easy extractable drawer for used coffee
- Self-cleaning function beginning/end of cycle
- Automatic descaling function
- Capacity to regulate:
 - Intensity of coffee: extra-strong, strong, medium, light, extra light
 - Quantity of coffee: large, medium, small
 - 3 coffee temperatures
- Accesories included: Telescopic guides, decalcifier measuring strip for water hardness, instruction manual
- Led lamp

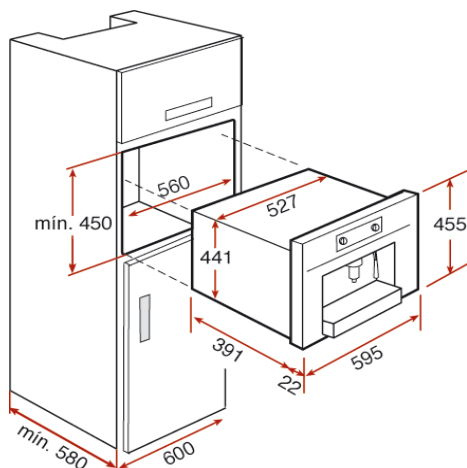
Built-in dimensions

↑ 450 mm → 560 mm ↗ 580 mm

External dimensions

↑ 455 mm → 595 mm ↗ 413 mm

Technical drawing



Color

Reference

EAN 13

- | | | |
|------------------|----------|---------------|
| • S/STEEL | 41598030 | 8421152145401 |
| • S/STEEL (127V) | 41598031 | 8421152153826 |

Technical data

- | | |
|-------------------------|-----------------|
| • Tension | 230 V |
| • Frequency | 50/60 Hz |
| • Maximum nominal power | 1350 W |
| • Connecting cable | 130 cm + schuko |