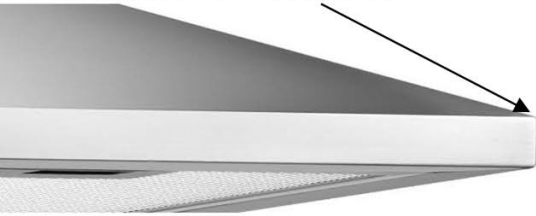




Pyramidal hood with welded corners



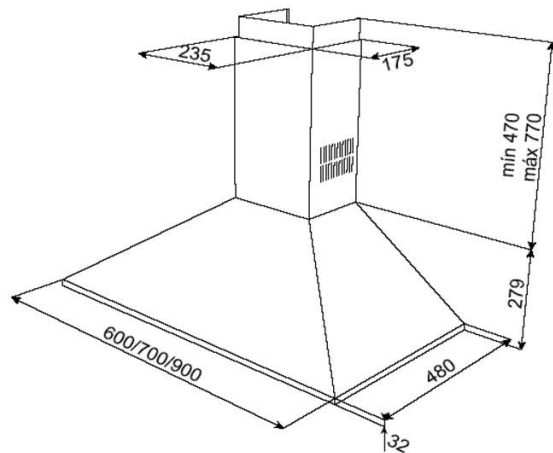
Rectangular Push Buttons with operating pilot light



Features

- Pyramidal - Colour Inox
- Welded corners – 32mm height
- Rectangular Push Buttons
- Operating Pilot Light
- Conventional extraction
- 3 speeds
- 2 X 40W Incandescent lamps
- Double turbine motor
- Aluminum filters
- Air flow (Qmin) 234 m3/h
Air flow (Qmax) 380 m3/h
- Noise (LwA) Min Speed 44 dB
- Noise (LwA) Max Speed 60 dB
- Energy Efficiency class: E
- Fluid Dynamic Efficiency (FDE_{hood}): 6,9
- Fluid Dynamic Efficiency class: F
- Light Efficiency (Lehood) lux/Watt: 0,8
- Lighting Efficiency class: G
- Grease Filtering Efficiency (GFE_{hood}) % 73,4
- Grease Filtering Efficiency class: D

Technical drawing



Color

Referencia

EAN 13

- | | | |
|---------------|----------|---------------|
| • DBB 60 Inox | 40460400 | 8421152069608 |
| • DBB 90 Inox | 40460440 | 8421152069660 |

Technical data

- | | |
|--------------------------------------|----------------------|
| • Motor Exhaust Capacity Free Outlet | 700m ³ /h |
| • Anti return valve | |
| • Outlet Reduction 150/120 mm | |
| • 220-240 V / 50-60 Hz | |