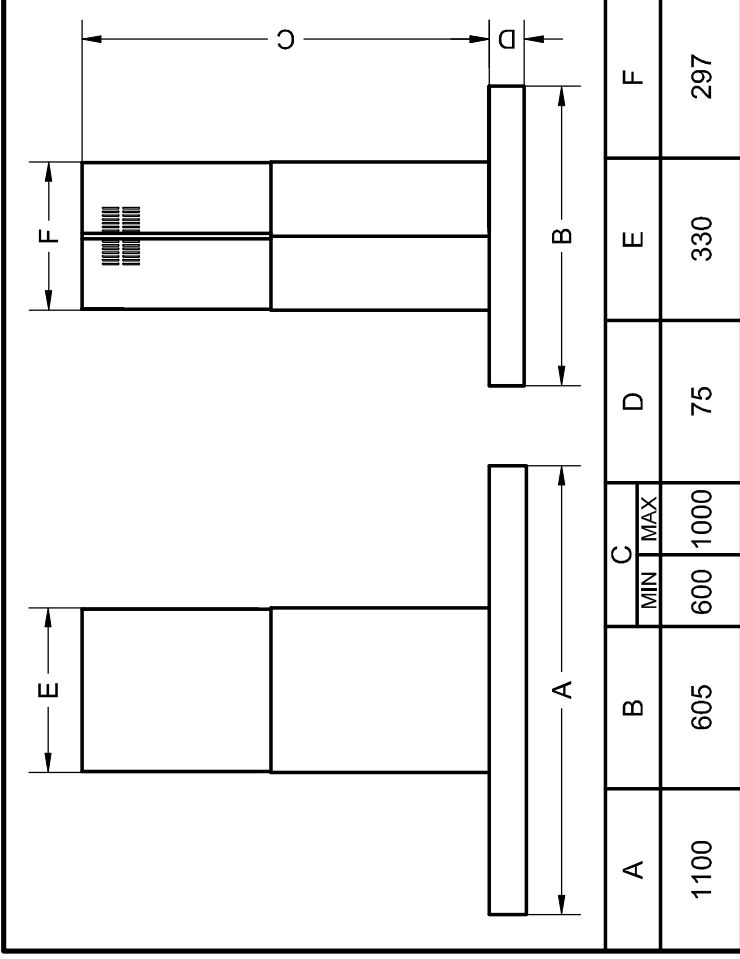
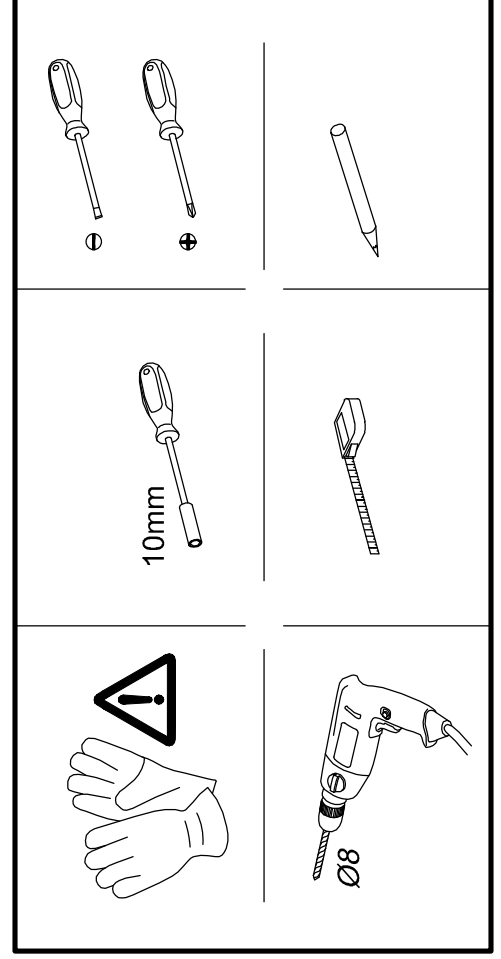
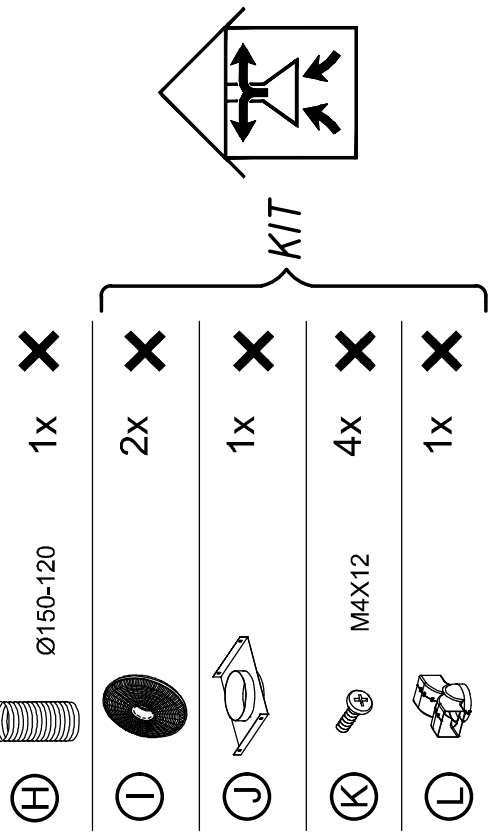


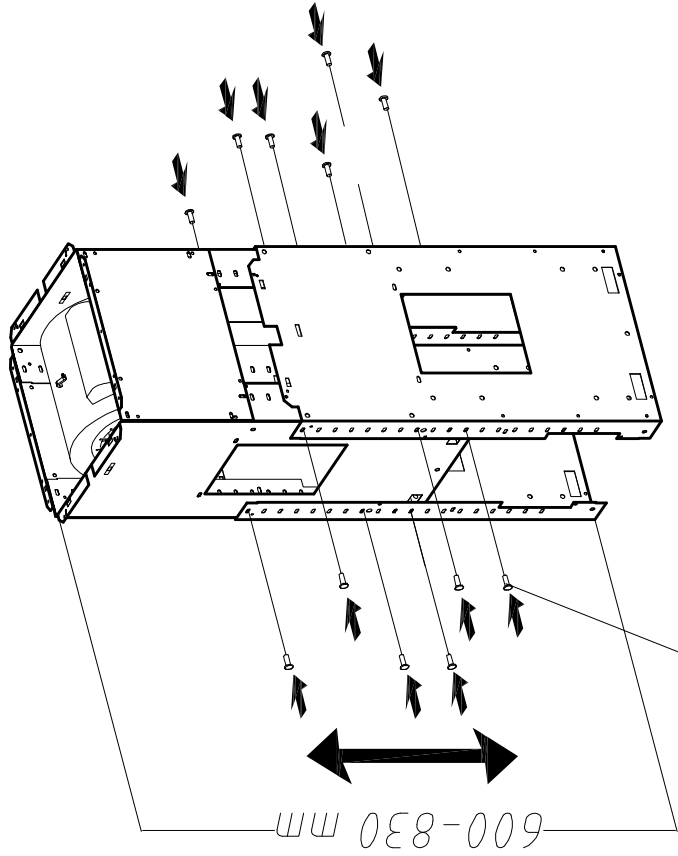
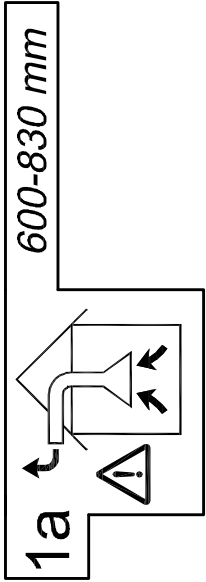
# DPL 1185 ISLA



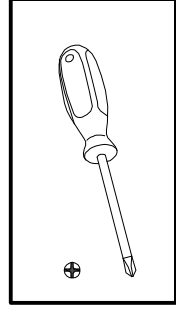
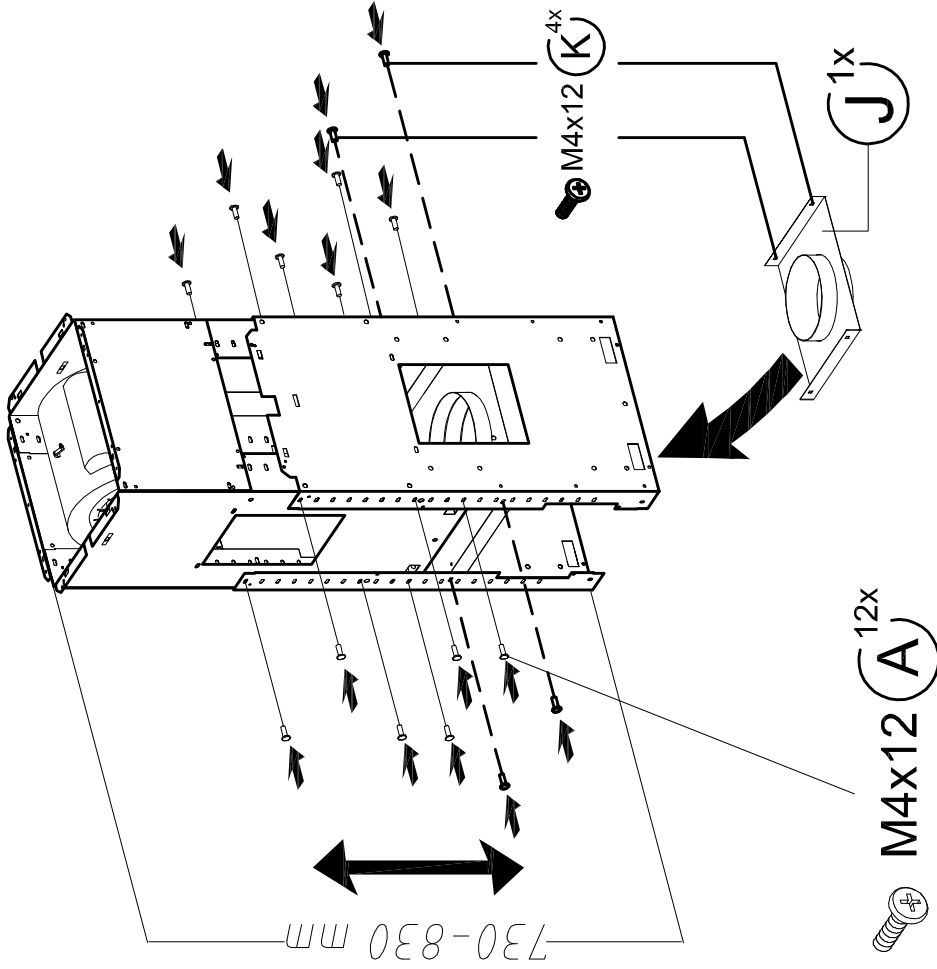
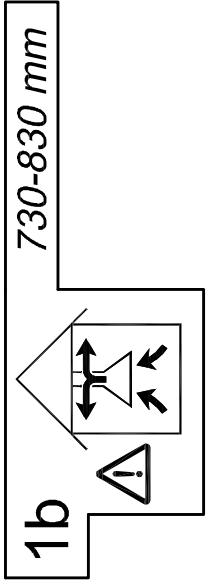
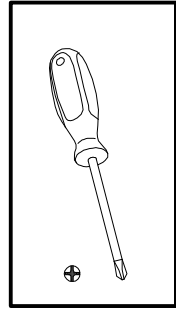
(A)	M4X12	14X	✓
(B)	Ø8x45	6X	✓
(C)	M6x16	6X	✓
(D)	M6	6X	✓
(E)	M4X10	2X	✓
(F)	150-120	1X	✓
(G)	Ø150	1X	✓
(H)	Ø1150-120	1X	✗
(I)		2X	✗
(J)		1X	✗
(K)	M4X12	4X	✗
(L)		1X	✗

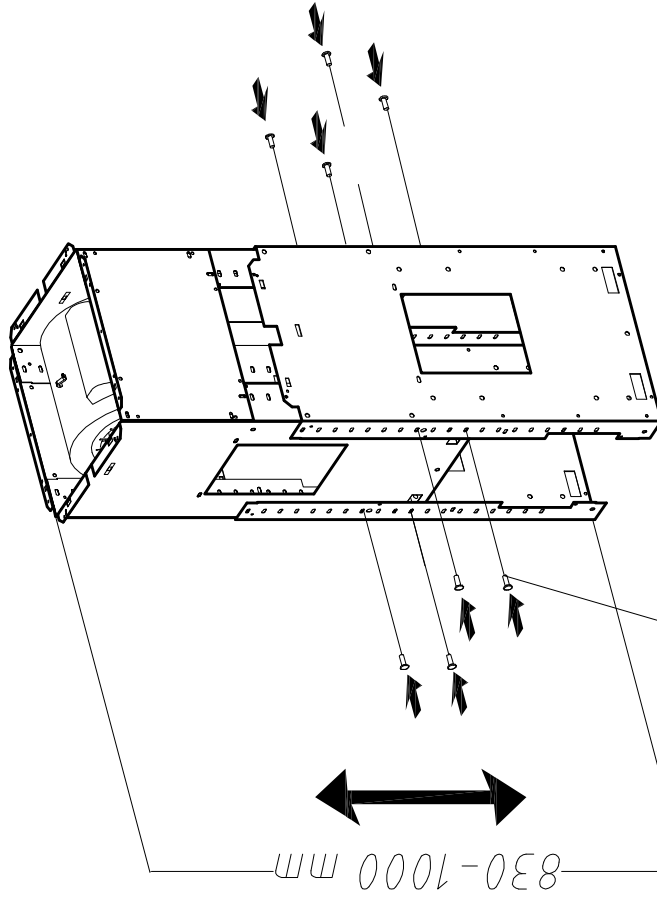
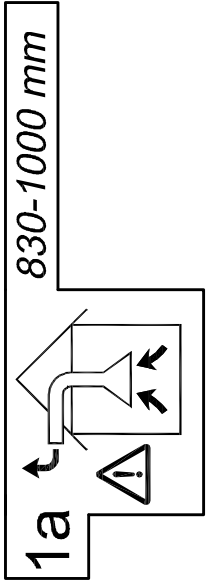
+



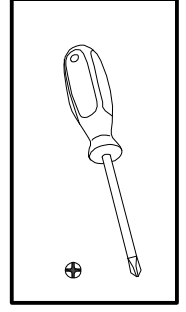
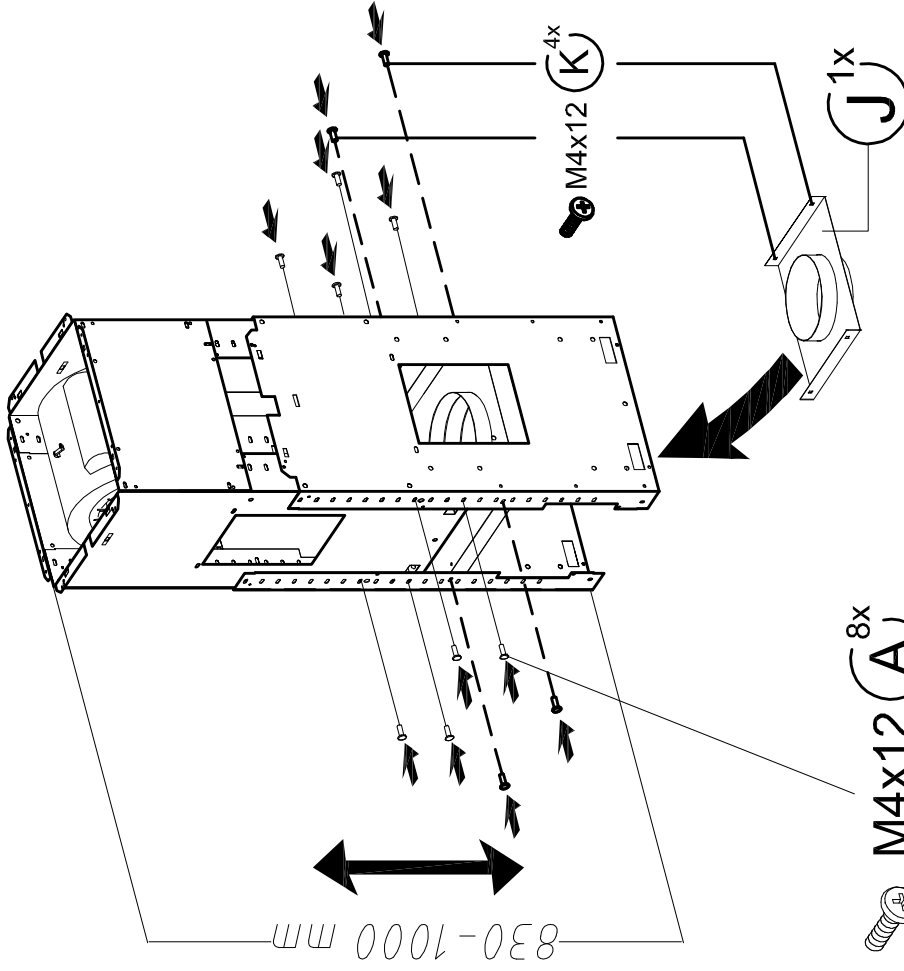
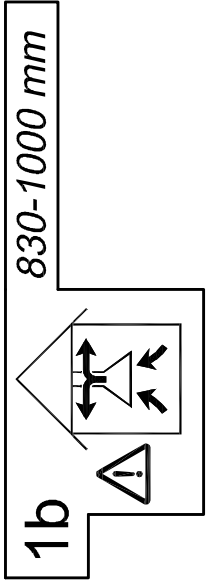
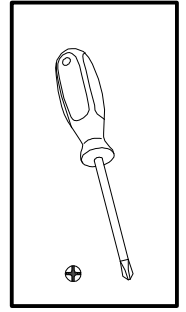


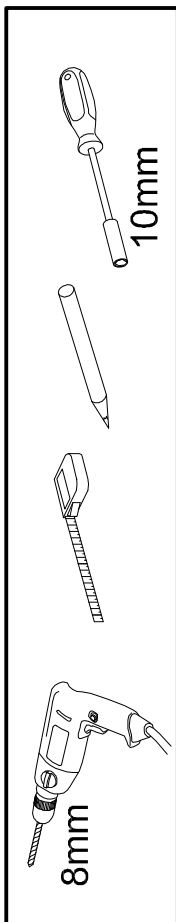
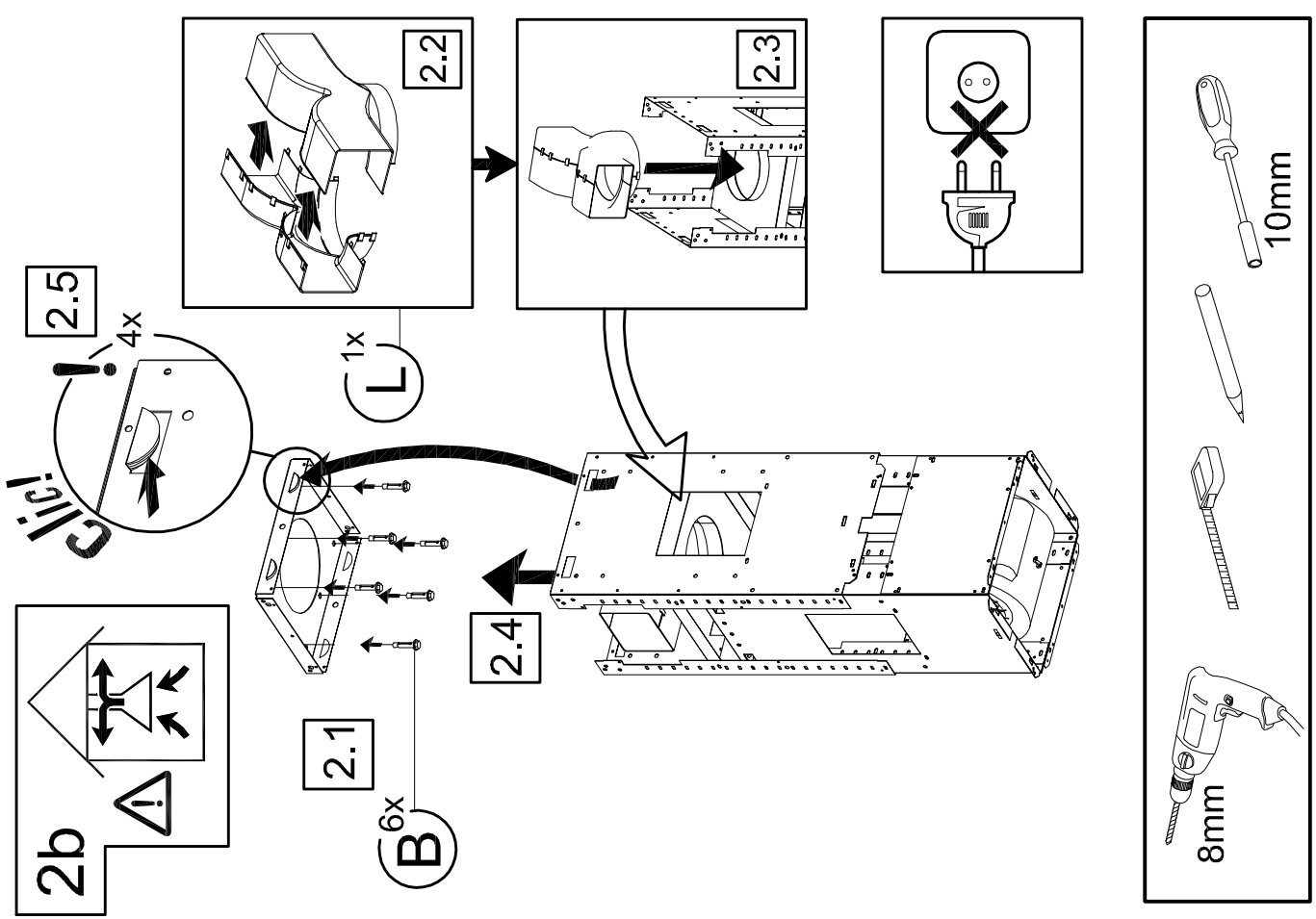
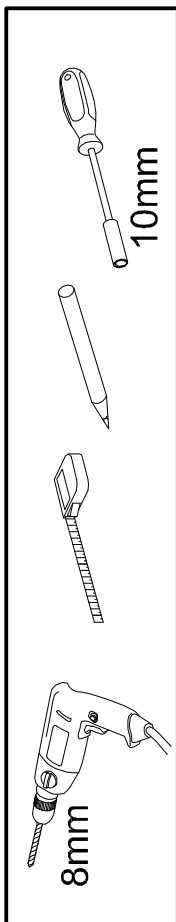
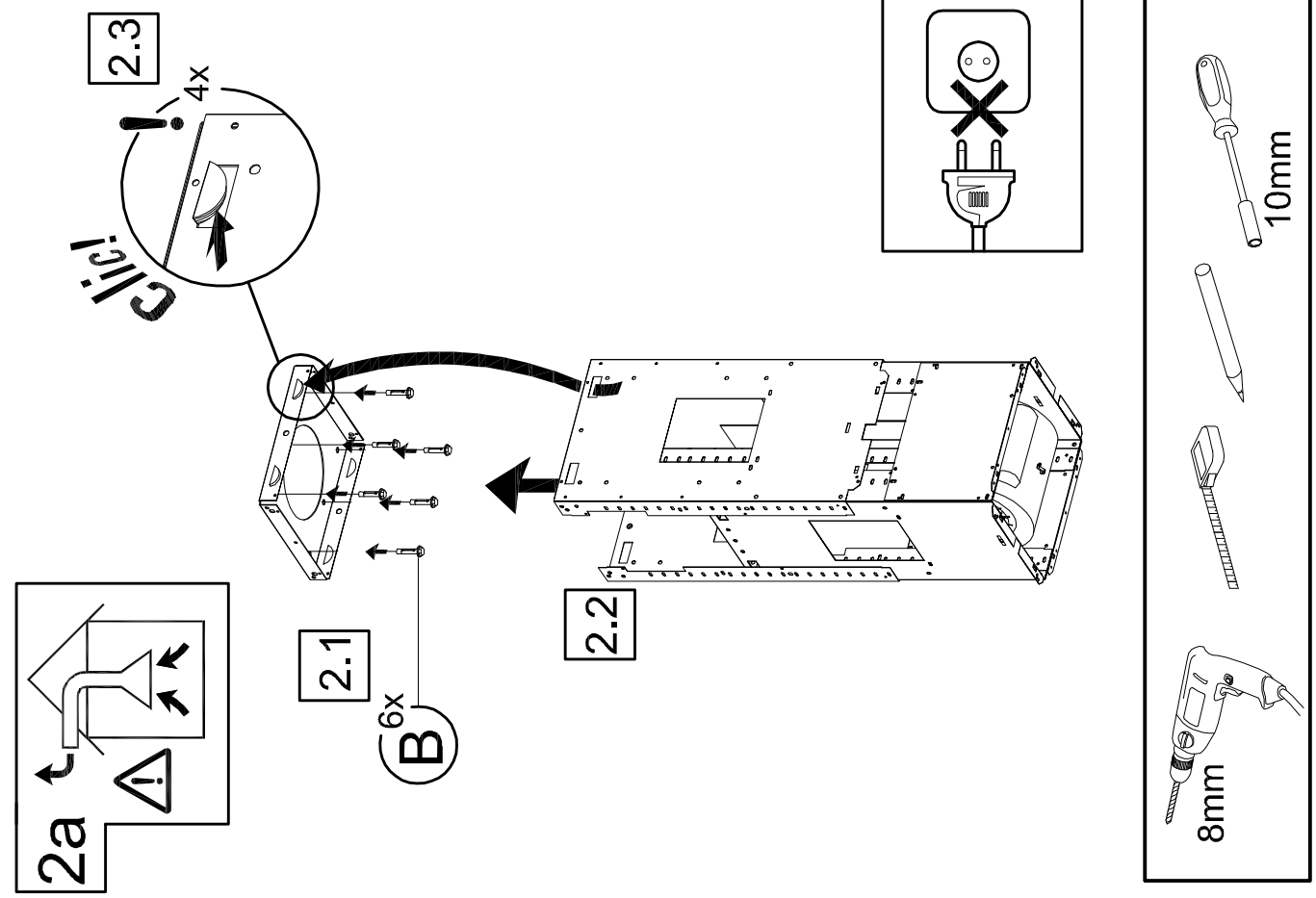
M4x12 (A)<sup>12x</sup>

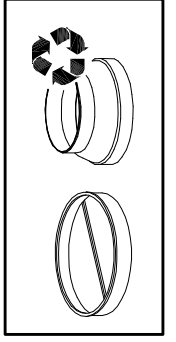
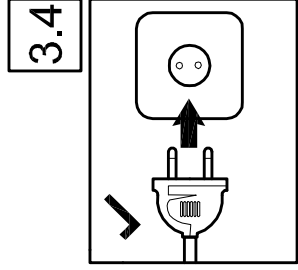
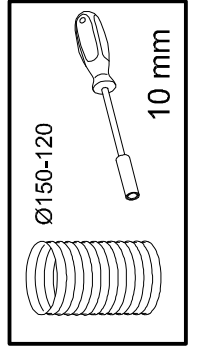
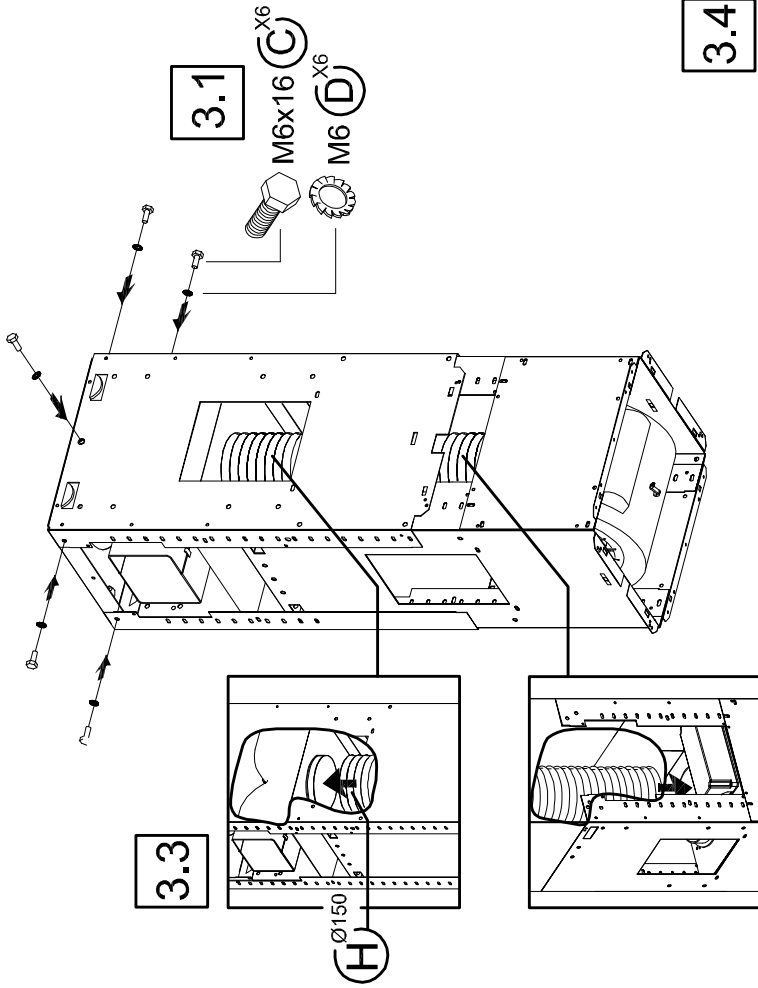
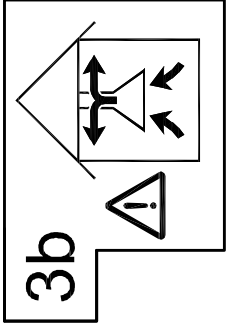
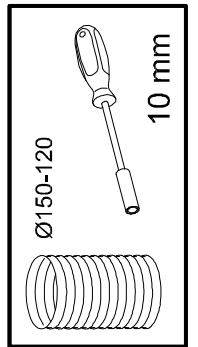
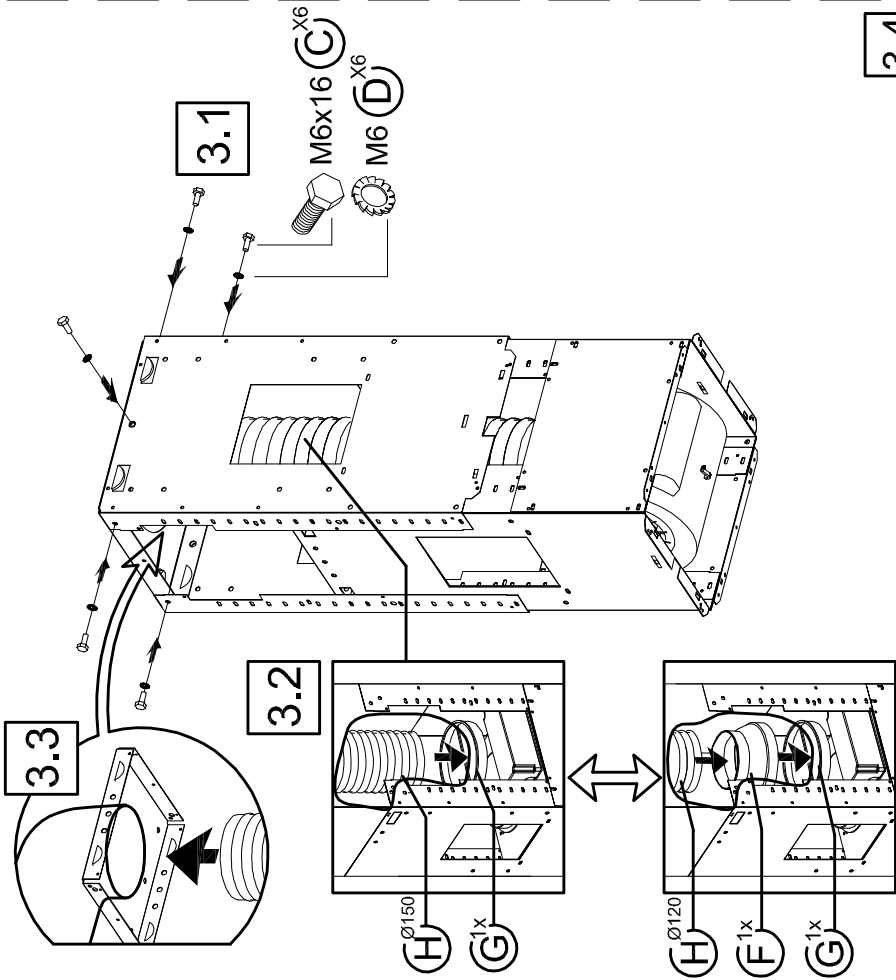
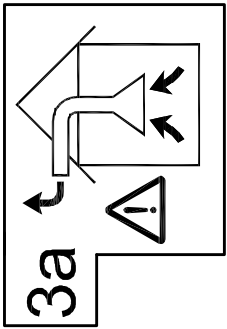




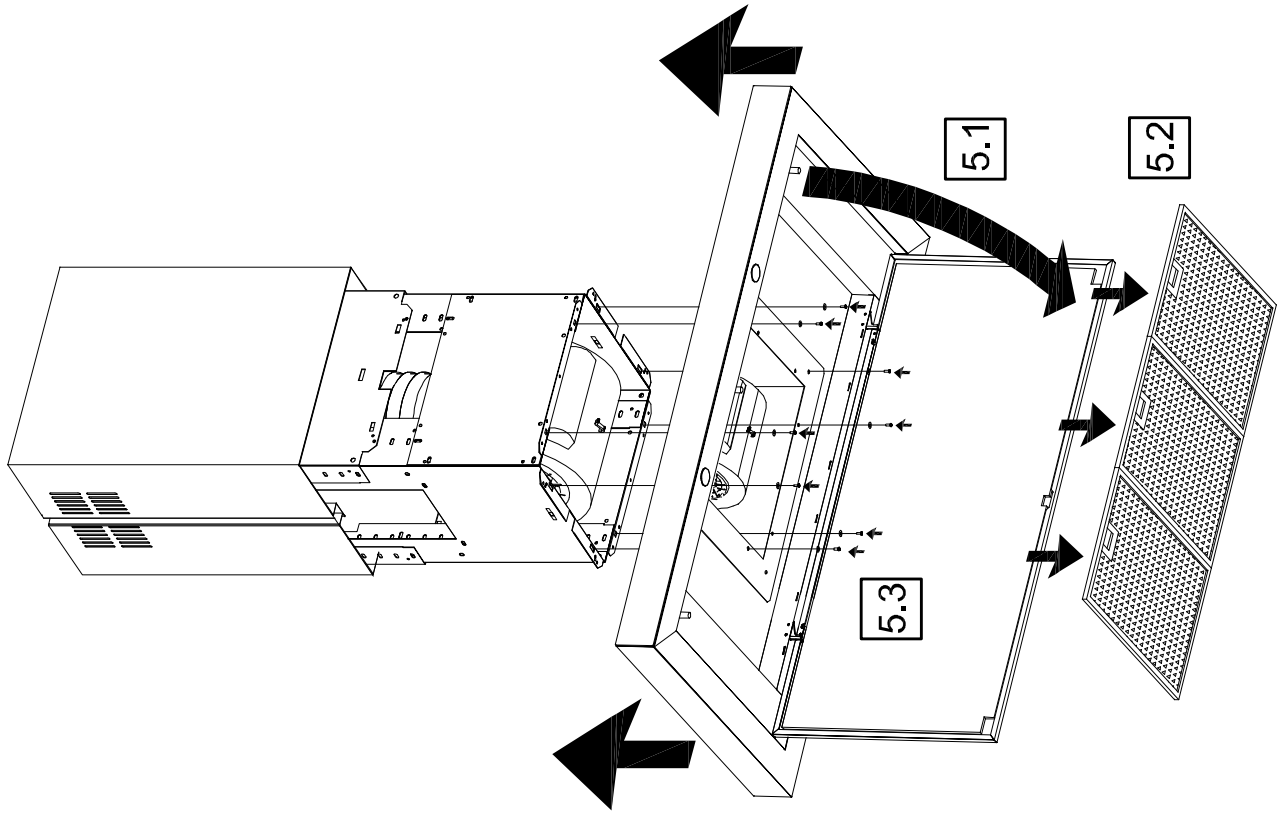
8x  
M4x12 (A)



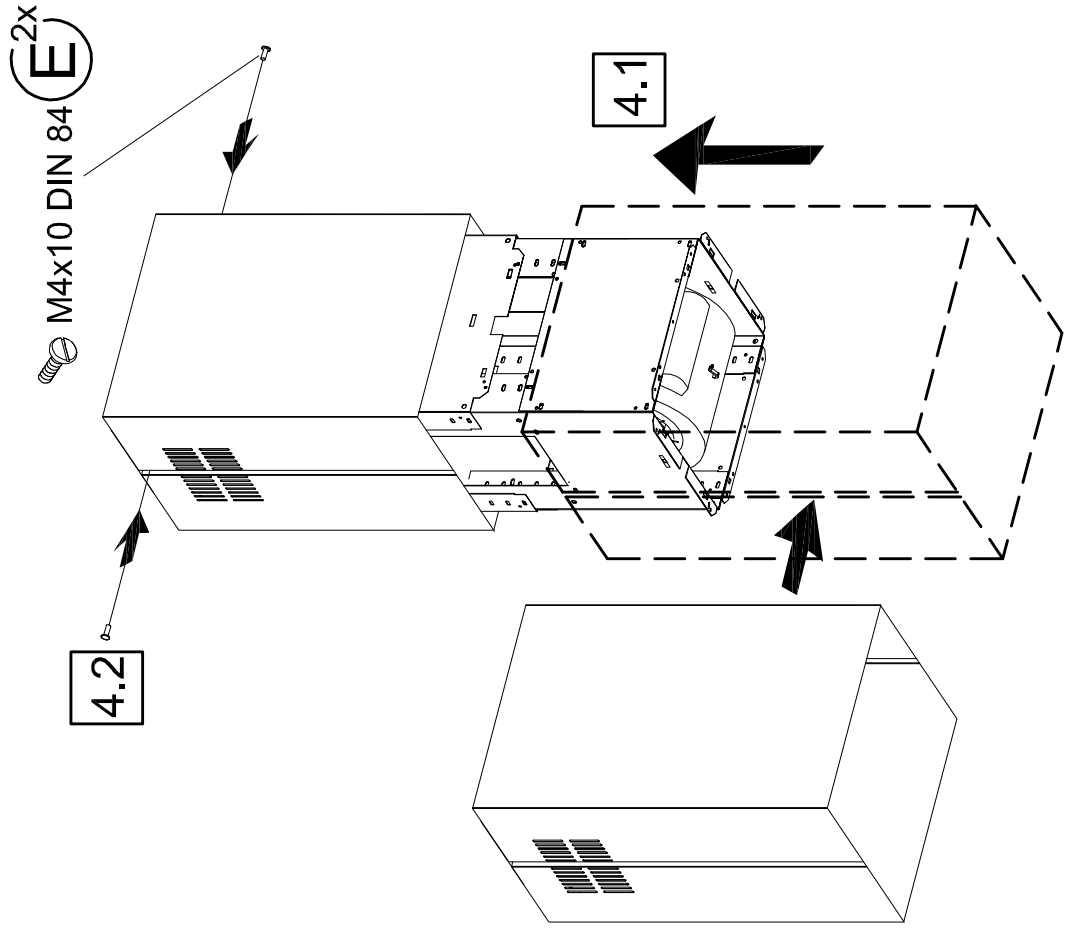




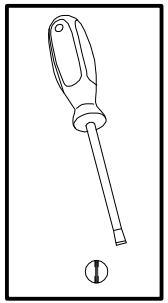
5



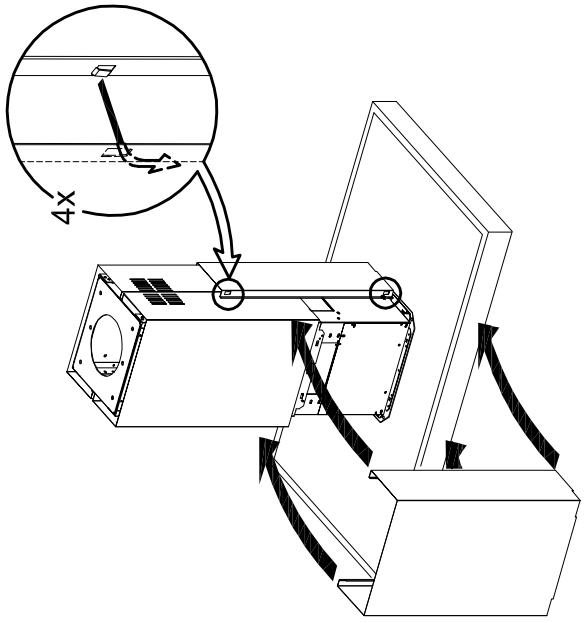
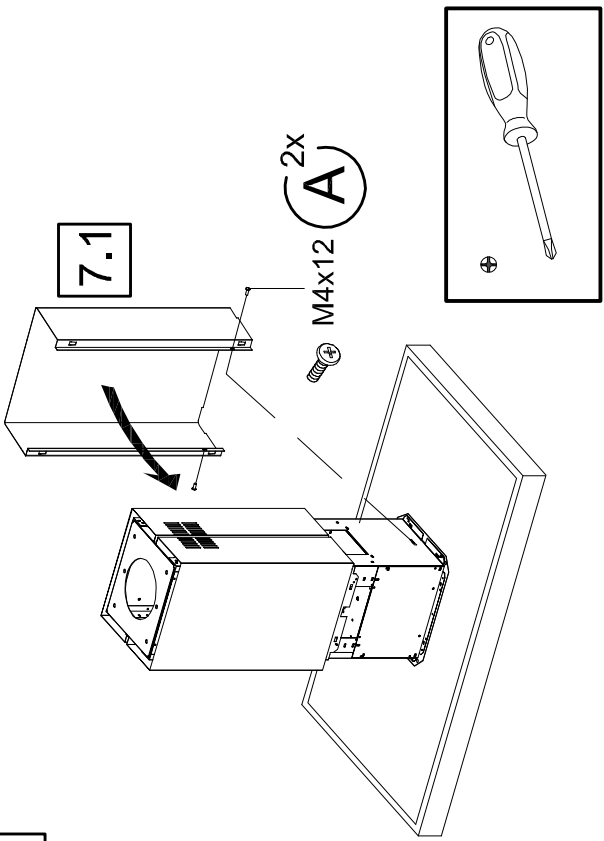
4



M4x10 DIN 84 (E)<sup>2x</sup>



7



6

