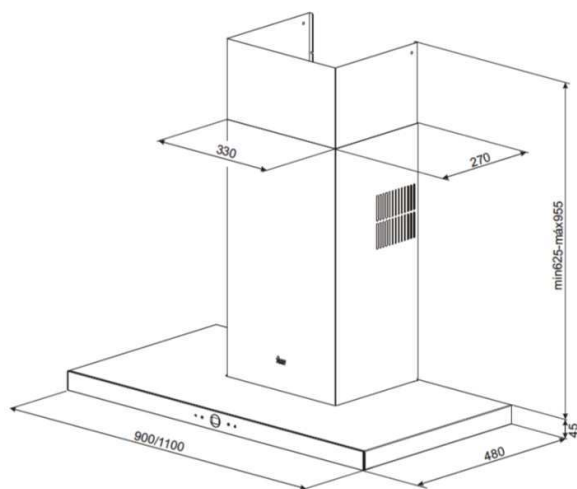
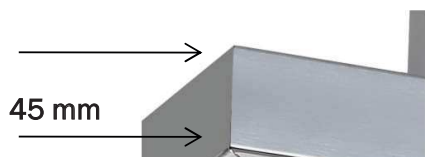


Decorative Cooker Hood

DSH 685 / 785 / 985

CHARACTERISTICS



- 60/70/90 cm width
- Backlit electronic control with white display
- Conventional extraction
- 3 + 1 speeds
- LED BAR 6W
- Decorative Stainless Steel filters
- Double turbine motor
- Reduction 150/120mm included
- European plug included
- Optional recirculation mode (SET 1/N1)
- Annual Energy Consumption (AEChood) kWh/a 54,7
- Energy Efficiency class A
- Fluid Dynamic Efficiency (FDEhood) 31
- Fluid Dynamic Efficiency class A
- Light Efficiency (Lehood) lux/Watt 55,2/55,2/49,3
- Lighting Efficiency class A
- Grease Filtering Efficiency (GFEhood) % 82
- Grease Filtering Efficiency class C
- Air flow (Qmin) m3/h 305
- Air flow (Qmax) m3/h 586
- Air flow (Qboost) m3/h 735
- Noise (LwA) Min Speed dB 54
- Noise (LwA) Max Speed dB 68
- Noise (LwA) Boost Speed dB 72
- Off mode Power (Po) W 0,32
- Standby Power (Ps) W N/A
- Energy Efficiency Index (EEIhood) 53,2
- Time increase actor (f) 0,9
- Air flow at best efficiency point (Qbep) m3/h 388
- Air pressure at best efficiency point (Pbep) Pa 440
- Electric power input at best efficiency point (Wbep) W 153,1
- Nominal power of the lighting system (WL) W 6
- Average illumination of the lighting system on the cooking surface (Emiddle) Lux 331/331/296

MODEL	TKI CODE	EAN CODE
DSH 685	40484200	8421152157336
DSH 785	40484201	8421152157343
DSH 985	40484202	8421152157350

