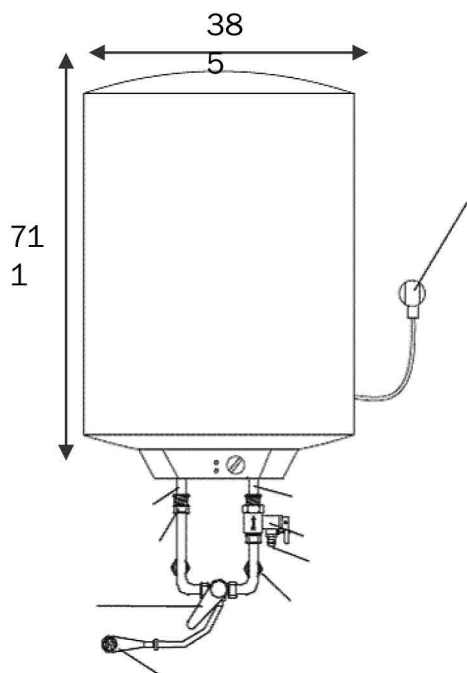
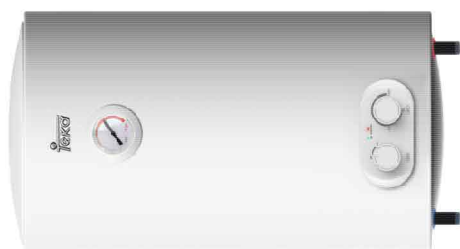


EWH 50 H



FEATURES

- Vertical & Horizontal installation
 - Capacity: 50 litres
 - Enamelled tank
 - Stainless Steel enamelled resistance
 - Temperature thermostat: 30°-75°
 - Pressure valve > 7,5 bar
 - Maximum pressure: 0,75 Mpa
 - Thermometer
 - Security valve
 - Earth Leakage Circuit Breaker
 - Overheat protection
 - Anti dry heating protection
 - Protection level against humidity IPx4
 - Power: 1500 W
 - Average insulation thickness: 20 mm
 - Connexion to supply network G ½
 - Average use for: 2-3 people
-
- Dimensions: $\Phi 385 * 711$
 - Voltage: 220-240V, 50Hz
 - Colour: White

TKI Description	TekaCode	EAN Code
TERMO ELECTRICO EWH 50 H	42080250	8421152131954