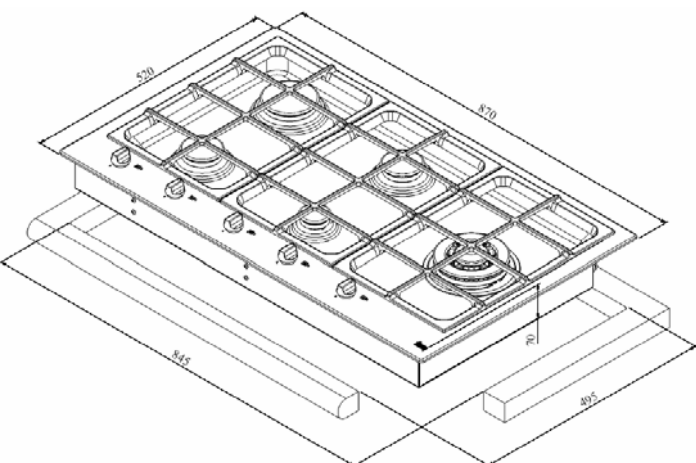


EW 90 5G AI AL TR CI

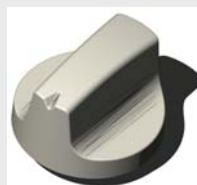
FEATURES



- Built-in installation



- Stainless steel finish
- Frontal metallic “Teka” knobs



- Cast iron grids
- AI & AL
- 5 gas burners:
 - 1 auxiliary
 - 2 semi-rapids
 - 1 rapid
 - 1 TR
- Cast iron wok stand included



- External dimensions (mm): 870 x 520
- Built-in dimensions (mm): 845 x 495