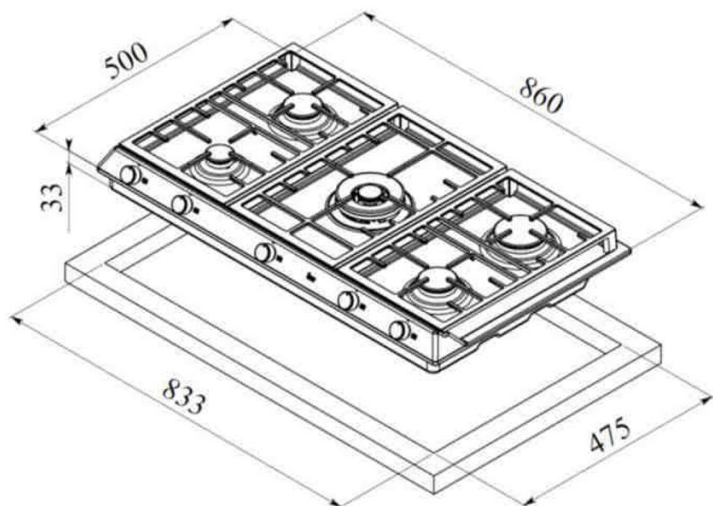


EX 90.1 5G AI AL DR CI

FEATURES



- New minimalistic & industrial design at the stainless steel surface.
- New cast iron grids with a professional look.
- Metallic and glossy black looking frontal knobs.
- Auto-ignition integrated in the burner operated by each knob
- Auto-lock safety device integrated in each burner.
- High Efficiency burners.
- 5 cooking zones:
- 1 double ring burner: 4,00 Kw
- 1 Fast burner: 2,80 Kw
- 2 Semi-fast burner: 1,75 Kw
- 1 Auxiliary burner: 1,00 Kw
- Cast iron grids
- Ext dimensions mm: 860 x 500
- Built-in dimensions mm: 833 x 473

