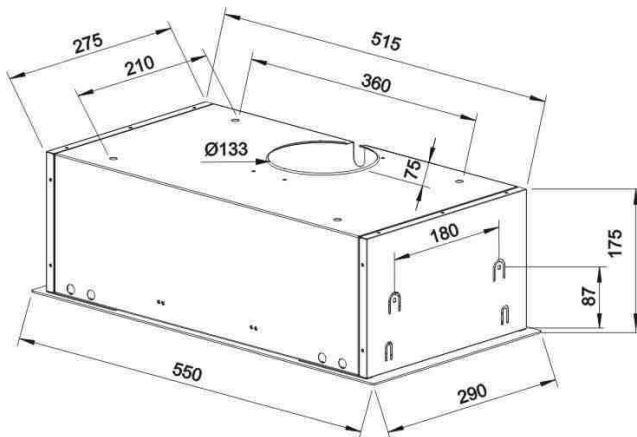


GFG2 INOX



FEATURES

- Stainless steel
- 1 Motor with Double Turbine
- Push Buttons
- Operating Pilot Light
- Conventional extraction
- 3 speeds
- LED bar
- New decorative stainless steel filter
- Air outlet 120mm
- European plug included
- Optional recirculation mode (C3C)
- Annual Energy Consumption (AEHood) kWh/a 98,9
- Energy Efficiency class E
- Fluid Dynamic Efficiency (FDEhood) 6,5
- Fluid Dynamic Efficiency class F
- Light Efficiency (Lehood) lux/Watt 16,4
- Lighting Efficiency class C
- Grease Filtering Efficiency (GFEhood) % 85,7
- Grease Filtering Efficiency class B
- Air flow (Qmin) m³/h 223
- Air flow (Qmax) m³/h 329
- Noise (LwA) Min Speed dB 53
- Noise (LwA) Max Speed dB 63
- Off mode Power (Po) W N/A
- Standby Power (Ps) W N/A
- Energy Efficiency Index (EELhood) 101,1
- Time increase actor (f) 1,8
- Air flow at best efficiency point (Qbep) m³/h 228
- Air pressure at best efficiency point (Pbep) Pa 149
- Electric power input at best efficiency point (Wbep) W 145
- Nominal power of the lighting system (WL) W 5
- Average illumination of the lighting system on the cooking surface (Emiddle) Lux 82

DESCRIPTION	TKI CODE	EAN
GFG 2 INOX	40446753	8421152146040