



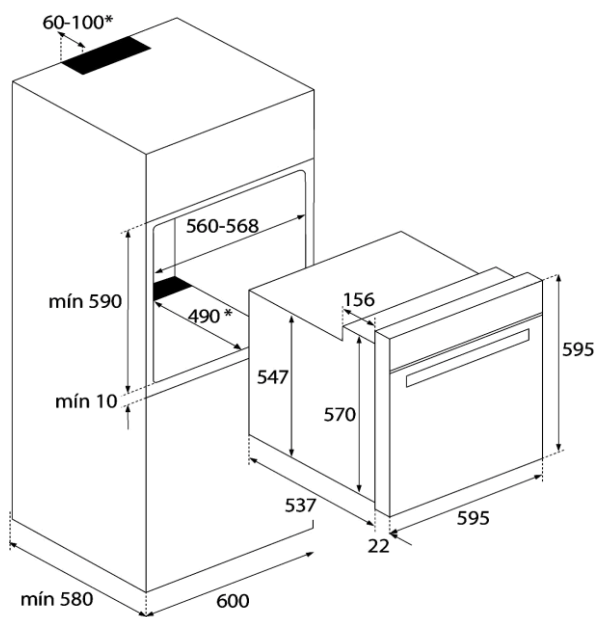
Features

- Hydroclean PRO
- Multifunction oven (Strip)
- 8 cooking functions
- Mechanical preheating
- Capacity gross/net: 70/65 litres
- Touch control programmer with start stop
- Pop in/out knobs
- 2-glazed door
- Full glass inner door
- Embossed cavity
- Cooling fan (Dynamic ventilation)
- Children safety block option
- Baking tray and cooking grid
- Slippery enamel

External dimensions

↑595 mm →595 mm ↗559 mm

Technical drawing



Color

- SS

Reference

111020013

EAN 13

8434778003192

Technical data

- | | |
|-----------------------------|-----------|
| • Energy Efficiency class | A |
| • Voltage | 220/240 V |
| • Frequency | 50/60 Hz |
| • Maximum connection rating | 2.615 W |