

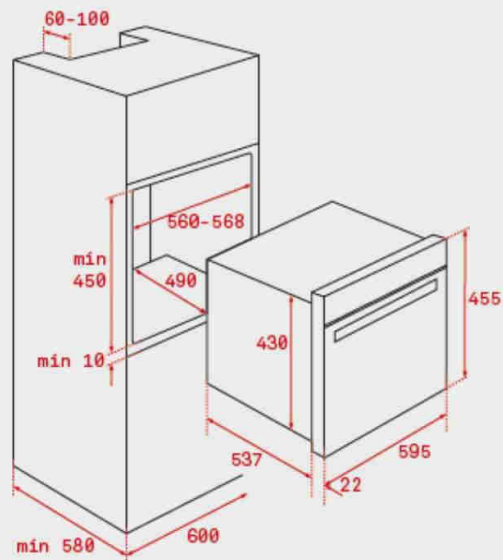
HLC 847 SC

## FEATURES



Provisional picture

- Multifunction oven + Steamer
- Teka Hydroclean ®Pro
- Glass front with Fingerprint-proof Stainless Steel frame
- Electronic Touch Control Panel with TFT display
- Knobs with illuminated ring
- Capacity: 45 liters (44 net)
- 15 Cooking functions
- 20 Recipes
- Steam cooking 30-100° C
- Turbo: 1.600 W
- Grill/Maxigrill: 1400/2.500 W
- Static oven 2.100 W
- Chromed guides
- 5 Cooking heights
- Tangential ventilation
- Children ´s safety block
- 1 metallic rack / 1 enameled tray / Stainless steel perforated tray
- Enameled Cavity
- Triple Glazed door



| MODEL      | TKI CODE | EAN CODE      |
|------------|----------|---------------|
| HLC 847 SC | 40589020 | 8421152145418 |