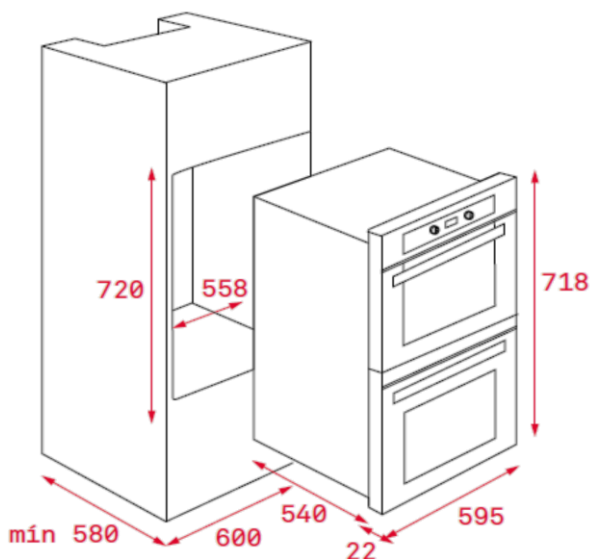


External dimensions

↑718 mm →595 mm ↗562 mm

Technical drawing



Features

- Built under Double Oven

TOP CAVITY

- Conventional Oven
- 4 Cooking Functions
- Net/gross capacity: 31/36 litres
- Chromed supports, 3 levels
- Maxi grill
- Energy Class: B

MAIN CAVITY

- Turbo Multifunction Oven
- 1 Cooking Function
- Net/gross capacity: 38/48 litres
- Chromed supports, 5 levels
- Energy Class: A

COMMON FEATURES

- Touch control with Start/Stop programmer in white color
- Stainless steel fix knobs with black cover
- Children safety block option
- Fume scape outlet through vault
- Forced ventilation
- Full glass inner door, 2 glazed door
- Deep Tray, reinforced grid, 2 standard grids, tray handle

Color

Reference

EAN 13

- | Color | Reference | EAN 13 |
|-------|-----------|---------------|
| • SS | 41593011 | 8421152155080 |

Technical data

- | | |
|-----------------------------|-----------|
| • Energy Efficiency class | B/A |
| • Voltage | 220/240 V |
| • Frequency | 50/60 Hz |
| • Maximum connection rating | 4498 W |