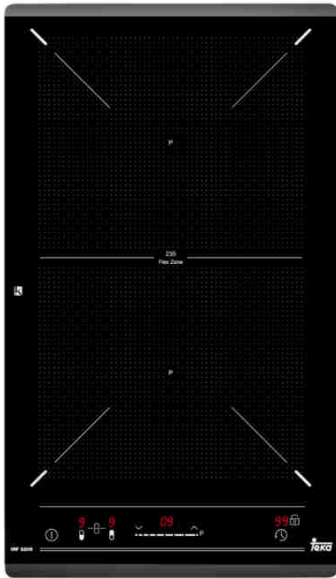


IRF 3200

FEATURES

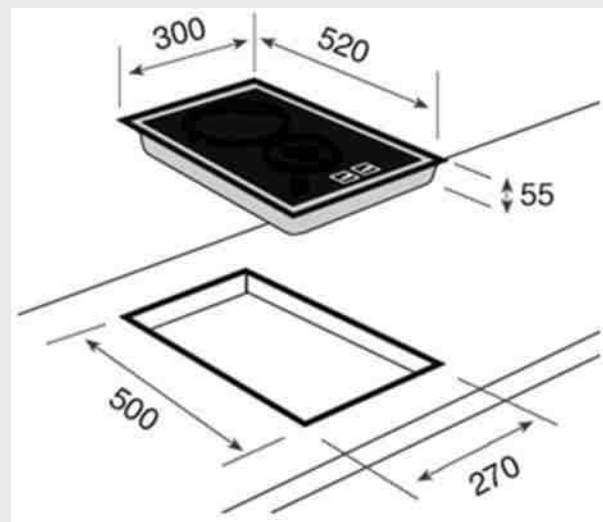
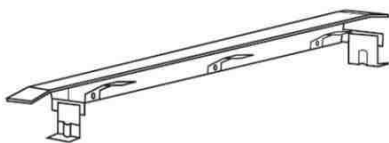


- Bevelled glass
- Touch control slider
- Pan optimization system
- Cooking time programmer (Independent programmer of each cooking zone)
- Low-temp function
- Pan detector
- 2 cooking zones:
- 2 x oval induction 235 x 190 mm
- 1 TekaFLEX zone of 235 x 395 mm
- Power function in all induction elements (I1/2.200W – I2/2.200W)
- Residual heat indicators
- Total nominal power: 3.500 W
- Dimensions mm: 300 x 520

Pan optimization system

This innovative system, integrated into the design of our induction generators and exclusive in the Teka induction range, gets the power level selected, independently of ferritic pan quality.

Possible combinations with other dominos using the "junction kit": Cod 40204393



Code: 10210170

EAN: 8421152148402