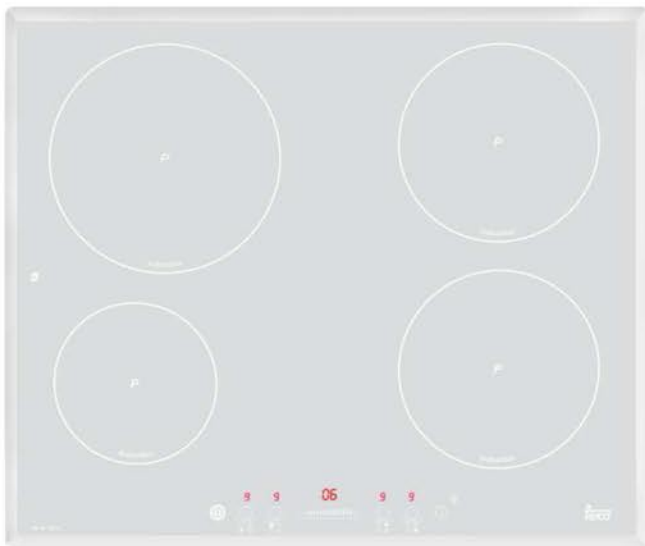


## IRS 641 WHITE



## FEATURES

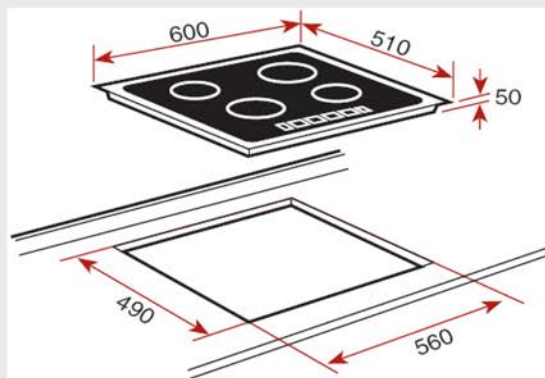
- Bevelled glass
- White finish
- Touch control SLIDER with acoustic sensors and security blocking
- Pan optimization system
- Low-temp function
- Electronic timer (possibility to programme all the zones at the same time)
- Pan detector
- I<sub>1</sub> induction Ø 145 mm
- I<sub>2</sub> induction Ø 180 mm
- I<sub>3</sub> induction Ø 210 mm
- Power function in all induction elements (I<sub>1</sub>/1.800W – I<sub>2</sub>/2.300W – I<sub>3</sub>/3.000W)
- Residual heat indicators
- Total nominal power: 7.000 W
- Dimensions mm: 600 x 510
- Multilingual user manual (22 languages)
- Three-phase power cord

### Pan optimization system

This innovative system, integrated into the design of our induction generators and exclusive in the Teka induction range, gets the power level selected, independently of ferritic pan quality.

### Silent Technology

The hob noise levels are lower than other competitors.



CODE	EAN	DESCRIPTION
10210102	8421152120637	IRS 641 WHITE