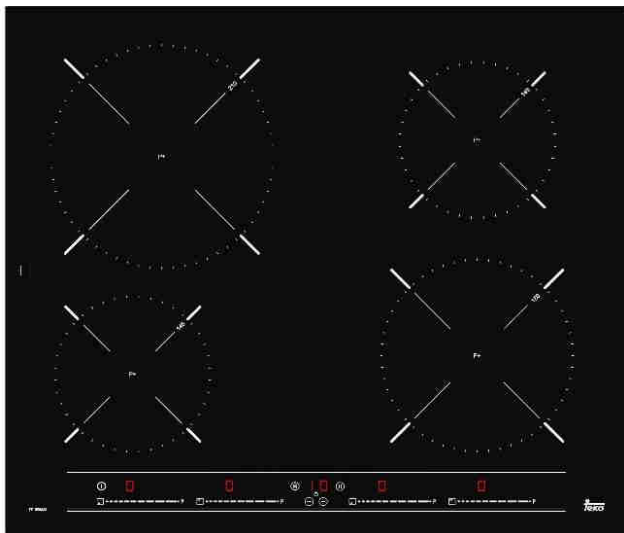


IZ 6415

FEATURES

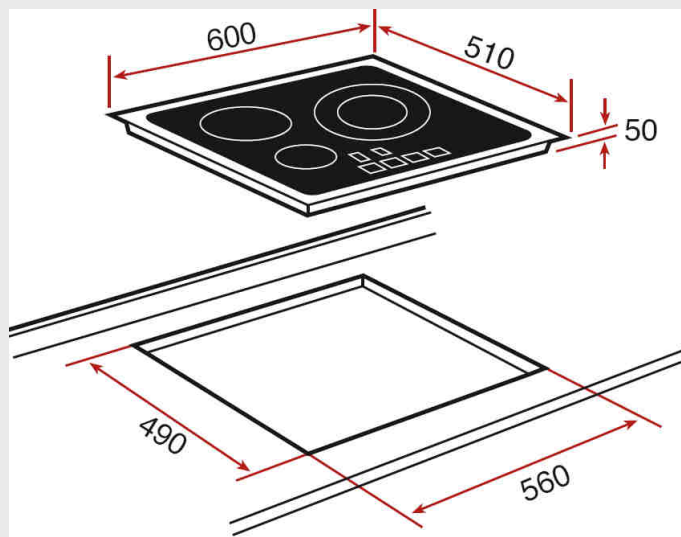


Power Management Function:

This function allows the total power generated by the hob to be set to different values selected by the user. To do this, for the first minute after having connected the hob to the power supply, it is possible to access the power limiting menu.

- 1 Press the "+" touch key for three seconds. The letter PL will appear on the clock ⌚ (6), if the model has a timer or on the hotplate indicators (if it is not equipped with one).
- 2 Press the locking touch key 🔒 (8). The different power values to which the hob can be limited will appear and these can be changed using the "+" and "-" touch keys.
- 3 Once the value has been selected, once again press the locking touch key 🔒 (8). The hob will be limited to the chosen power value.

- **Frontal** bevelled
- Multislider touch control (one per cooking zone)
- Cooking time programmer (Independent programmer of each cooking zone)
- Security blocking
- Power Management function
- Pan detector
- I₁ induction Ø 145 mm
- I₂ induction Ø 145 mm
- I₃ induction Ø 180 mm
- I₄ induction Ø 210 mm
- Power function in all induction elements (I₁/1.500W – I₂/1.500W – I₃/2.100W-I₄/2.300W)
- Residual heat indicators
- Total nominal power: 7.200 W
- Dimensions mm: 600 x 510



TKI CODE

10210161

TKI EAN CODE

8421152148051