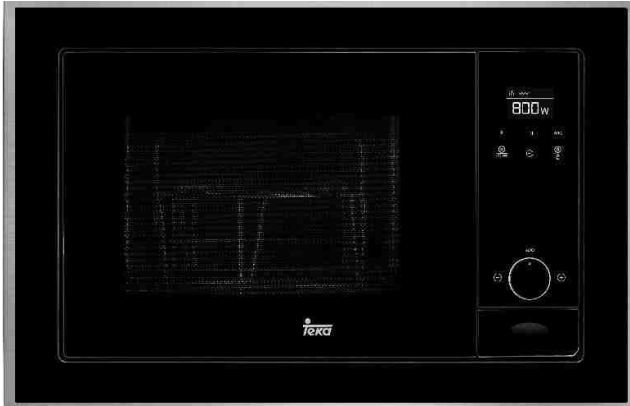
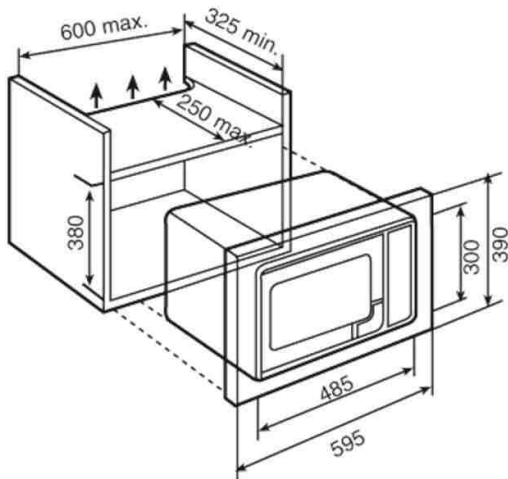


ML 820 BIS

FEATURES



- Built-in microwave + grill
- Glass control panel
- Double glass door
- Glass frame with fingerprint-proof Stainless Steel strip
- Electronic touch control with TFT white display
- 20 litres
- 700 W / 1000 W – Microwave/Grill power
- Stainless Steel inner cavity
- Quartz grill
- Turntable 24 cms
- Five power levels
- Three cooking functions: (mwo, grill, mwo+grill)
- 3 auto-cooking menus
- 1 programmable memory
- Defrost by time and weight
- Timer 0-90´
- Quick start + 1 minute
- Safety block
- Standard accessories: 1 round grid



DESCRIPTION	TKI CODE	EAN
ML 820 BIS	40584200	8421152145555

