



**Features**

- Built-in microwave oven with grill
- Electronic control with display
- Drop down grill, 1200 W
- 5 Microwave Power function
- 3 cooking functions: Microwave, Microwave + grill, defrosting.
- 9 autocooking menus
- Capacity gross/net: 21,56/22 litres
- Ceramic base
- Quick start + 1 minute
- Timer 0-90 minutes
- Defrost by time and weight
- 3-glazed door
- Full glass inner door
- Stainless steel cavity
- Children´s safety block
- Electronic door opening
- Door opening LEFT (L- Left Hinge)

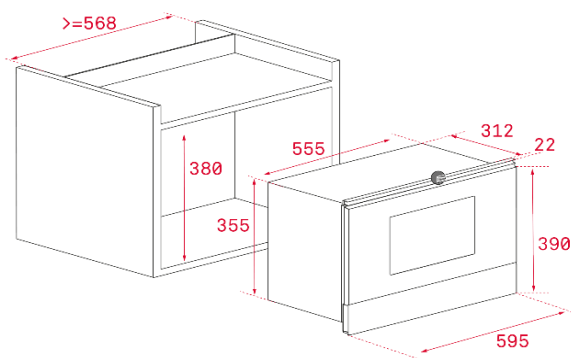
**Built-in dimensions**

↑370/380 mm →568 mm ↗320 mm

**External dimensions**

↑390 mm →595 mm ↗334 mm

**Technical drawing**



Color	Reference	EAN 13
• Stone grey	112030002	8434778007695

**Technical data**

• Voltage	220/240V
• Frequency	50Hz
• Maximum connection rating	2500W
• MWO Power	850W

