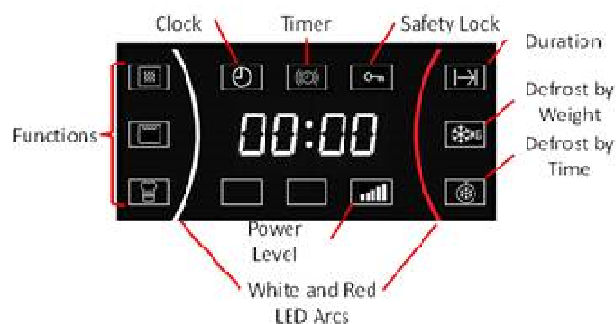


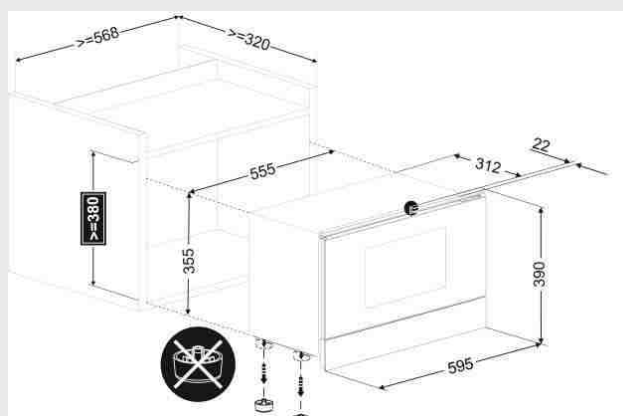
BUIL IN MICROWAVE OVENS

ML 822 BIS L/R

FEATURES



- Microwave + Grill
- Touch control panel with digital display
- Drop down grill, 1200 W
- Five power levels, 850 W
- Capacity: 22 litres
- Double glass door
- Ceramic base
- Three cooking functions
- 9 auto-cook menus
- Quick start + 1 minute
- Timer 0-90 minutes
- Defrost by time and weight
- Stainless steel cavity
- Children's safety block
- Electronic door opening
- Door opening LEFT (L- Left Hinge) or Door opening RIGHT (R- Right Hinge)
- Standard accessory: Rectangular grid
- Microwave dimensions: 595 x 390 x 334 mm
- Niche: 568 x 370/380 x 320 mm
- Cavity: 350 x 220 x 280 mm



DESCRIPTION	TKI CODE	EAN
ML 822 BIS L	40584300	8421152145494
ML 822 BIS R	40584301	8421152145500
ML 822 BIS L WHITE	40584302	8421152145517

