

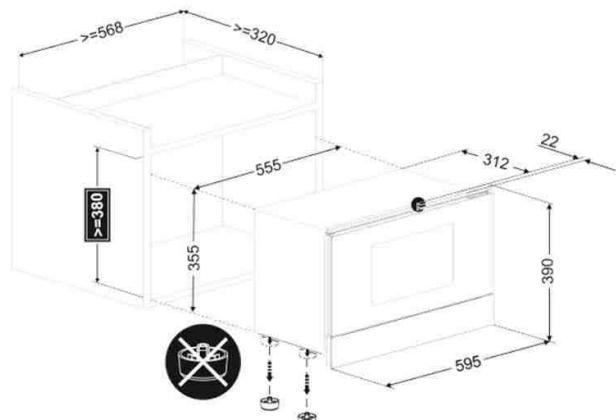
BUIL IN MICROWAVE OVENS

MS 622 BI

FEATURES



- Microwave only
 - Fingerprint-proof Stainless Steel
 - Mechanic control panel
 - Five power levels, 850 W
 - Capacity: 22 litres
 - Ceramic base
 - One cooking function (microwave)
 - Timer 0-60 minutes
 - Defrost by time
 - Stainless steel cavity
 - Electronic door opening
-
- Mwo dimensions: 595 x 380-390 x 334 mm
 - Niche: 560-568 x 360-380 x 320 mm
 - Cavity: 350 x 220 x 280 mm



DESCRIPTION	TKI CODE	EAN
MS 622 BI	40584102	8421152145548

