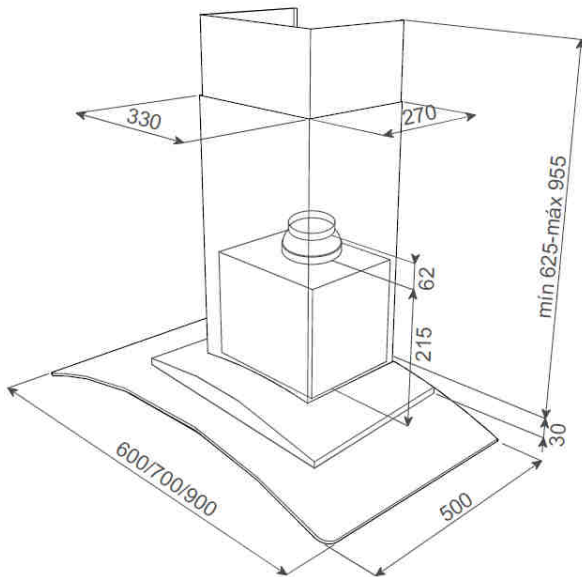
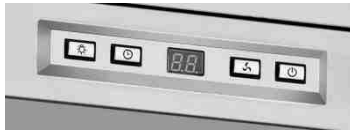


UltraSlim NC 680/780/980

CHARACTERISTICS



- Backlit electronic control with white display
- Operating Pilot Light
- Curved Glass wing
- Conventional extraction
- 3 + 1 speeds
- 2 X 3 W LED lamps
- Decorative Stainless Steel filter
- Double turbine motor
- Reduction 150/120mm included
- European plug included
- Optional recirculation mode (set 1/N)
- Annual Energy Consumption (AEChood) kWh/a 135,8
- Energy Efficiency class D
- Fluid Dynamic Efficiency (FDEhood) 12,7
- Fluid Dynamic Efficiency class E
- Light Efficiency (Lehood) lux/Watt 73,8
- Lighting Efficiency class A
- Grease Filtering Efficiency (GFEhood) % 83,7
- Grease Filtering Efficiency class C
- Air flow (Qmin) m³/h 298,0
- Air flow (Qmax) m³/h 402,0
- Air flow (Qboost) m³/h 637,0
- Noise (LwA) Min Speed dB 52,0
- Noise (LwA) Max Speed dB 60,0
- Noise (LwA) Boost Speed dB 70,0
- Off mode Power (Po) W 0,0
- Standby Power (Ps) W 1,1
- Energy Efficiency Index (EEIhood) 90,2
- Time increase actor (f) 1,5
- Air flow at best efficiency point (Qbep) m³/h 427,0
- Air pressure at best efficiency point (Pbep) Pa 257,0
- Electric power input at best efficiency point (Wbep) W 240,0
- Nominal power of the lighting system (WL) W 6,0
- Average illumination of the lighting system on the cooking surface (Emiddle) Lux 443,0

Model	Teka Code	EAN Code
UltraSlim NC 680	40455330	8421152130476
UltraSlim NC 780	40455331	8421152130483
UltraSlim NC 980	40455332	8421152130490