



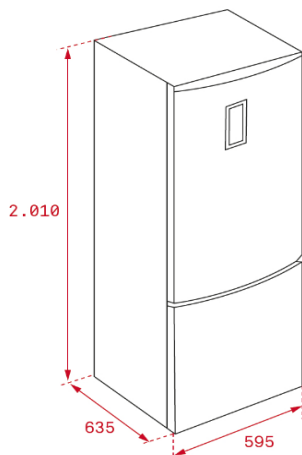
Features

- Free standing combi refrigerator
- Full No Frost
- 4* Freezer
- Electronic Control with display on door
- Freezing / Cooling Set Button
- Quick Cool Button
- Electronic adjustable thermostat
- LED Illumination from top
- Safety glass shelves
- 4 inner shelves and 6 door balconies
- 3 Freezer Drawers
- 1 ice tray
- 2 Vegetable drawers
- Reversible doors
- Net Volume: 326 liters
- Volumes Refrigerator/Freezer: 250/76 liters
- Autonomy: 15 hours
- 1 compressor , R600a(40 gr)

External dimensions

↑2010 mm →595 mm 635 mm

Technical drawing



Color

- White

Reference

113410001

EAN 13

8434778003994

Technical data

- | | |
|---------------------------|----------------|
| • Energy Efficiency class | A++ |
| • Climate Class | N-T |
| • Energy Consumption | 0,65 kWh/24h |
| • Annual consumption | 234 kWh/year |
| • Noise level | 40 dBA |
| • Power supply | 220-240V/50 Hz |