



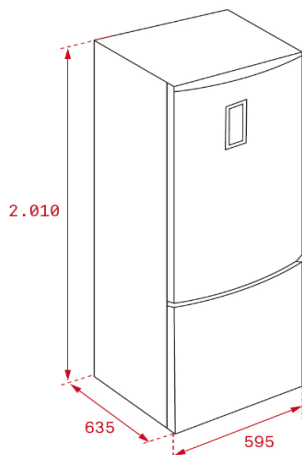
Features

- Free standing combi refrigerator
- Full No Frost
- 4* Freezer
- Electronic Control with display on door
- Fingerprint proof treatment on door
- Freezing / Cooling Set Button
- Quick Cool Button
- Electronic adjustable thermostat
- LED Illumination from top
- Safety glass shelves
- 4 inner shelves and 6 door balconies
- 3 Freezer Drawers
- 1 ice tray
- Reversible doors
- Net Volume: 326 liters
- Volumes Refrigerator/Freezer: 250/76 liters
- Autonomy: 15 hours
- 1 compressor , R600a(40 gr)

External dimensions

↑2010 mm →595 mm 635 mm

Technical drawing



Color

- e-INOX

Reference

40672030

EAN 13

8421152155943

Technical data

- Energy Efficiency class A++
- Climate Class N-T
- Energy Consumption 0,65 kWh/24h
- Annual consumption 237 kWh/year
- Freezing capacity 4 kg/24h
- Noise level 40 dBA
- Power supply 220-240V/50 Hz