



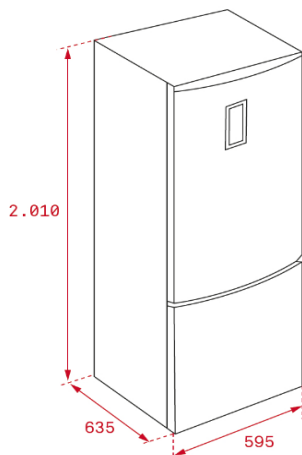
Features

- Free standing combi refrigerator
- Full No Frost
- 4* Freezer
- Electronic Control with display on door
- Fingerprint proof treatment on door
- Freezing / Cooling Set Button
- Fast Freeze / Quick Cool Button
- Lock function
- ZeroBox (0-3 °C conservation zone)
- Electronic adjustable thermostat and holiday function (ECO)
- LED Illumination from top
- Safety glass shelves (Metalic Hot Stamp)
- 4 inner shelves and 6 door balconies
- 1 Vegetable drawer
- Chromed bottle rack
- 3 Freezer Drawers
- 1 ice tray
- Antibacterial treatment
- Reversible doors
- Net Volume: 316 liters
- Volumes Refrigerator/Freezer/Chiller: 219/76/21 liters
- Autonomy: 15 hours
- 1 compressor , R600a(40 gr)

External dimensions

↑2010 mm →595 mm 635 mm

Technical drawing



Color

• e-INOX

Reference

113410000

EAN 13

8434778003987

Technical data

- | | |
|---------------------------|----------------|
| • Energy Efficiency class | A+++ |
| • Climate Class | N-T |
| • Energy Consumption | 0,458 kWh/24h |
| • Annual consumption | 167 kWh/year |
| • Freezing capacity | 8,5 kg/24h |
| • Noise level | 40 dBA |
| • Power supply | 220-240V/50 Hz |