

DW 6250.0 S

Chimney cooker hood



EAN / TKI Code

- EAN Code 4037321049537
- TKI Code 122940006

Features

- 4 power levels incl. Intensive power level
- Extraction rate (to the outside): max. normal power setting 584 m³/h, intensive power setting 698 m³/h
- Electronic control with touch control sensors
- Digital display
- Rim suction technology
- FreshAir function
- Automatic delay stop
- Filter saturation indicator
- Drop down glass panel
- Metal grease filter
- Recirculation air mode possible (see optional accessories)

Technical data

- Electrical connection 286 W
- Exhaust air connection Ø 150 mm
- LED light colour 4,000 – 4,500 Kelvin

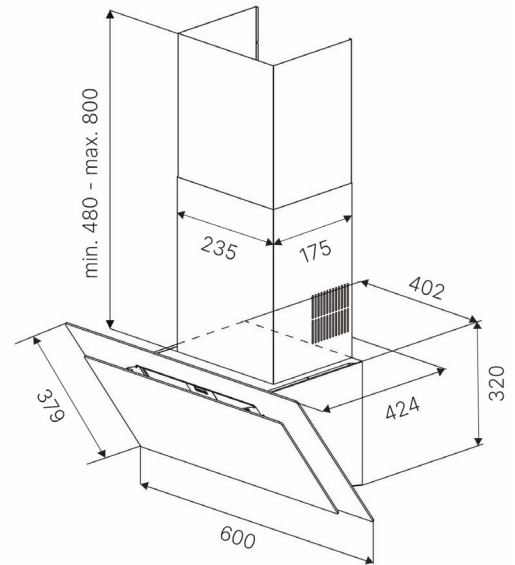
Optional accessories

- Charcoal filter ZD 1019

Dimensions

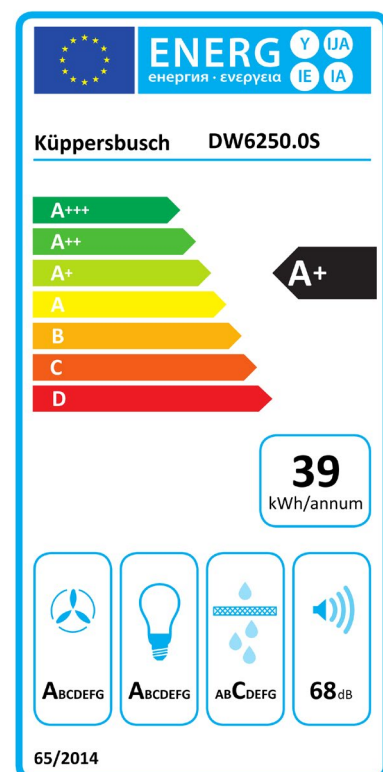
- Appliance dimensions W x H x D approx. 600 x 800-1,100 x 424 mm

Drawing



In recirculation mode, maintain sufficient distance from adjacent surfaces to avoid air turbulence.

Energy label



Küppersbusch

Product fiche	
Delegated Regulation (EU) 65/2014	
Supplier name or trademark	Küppersbusch
Model identifier	DW6250.0S
Annual Energy Consumption	38,7 kWh/annum
Energy Efficiency Class	A+
Fluid Dynamic Efficiency	35,1
Fluid Dynamic Efficiency class	A
Lighting Efficiency	30,2 Lux/W
Lighting Efficiency class	A
Grease Filtering Efficiency	75,9 %
Grease Filtering Efficiency class	C
Air flow (min speed normal use)	307 m³/h
Air flow (max speed normal use)	584 m³/h
Air flow (intensive or boost use)	698 m³/h
Airborne acoustical A-weighted sound power emissions (min speed normal use)	52 dB
Airborne acoustical A-weighted sound power emissions (max speed normal use)	68 dB
Airborne acoustical A-weighted sound power emissions (intensive or boost use)	74 dB
Power consumption in standby mode (W)	0,74 W