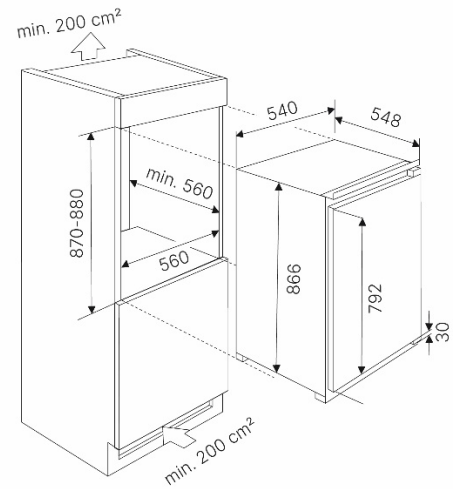


# FK 2545.0 i

Refrigerator with freezer section



## Drawing



## EAN / TKI Code

- EAN Code 4037321047861
- TKI Code 123480004

## Features

- Mechanical temperature control with rotary button
- Defrost Mode
- VarioShelves / VarioBoxes
- Reversible door hinges

## Fridge/freezer compartment

- Useable capacity 110 litres
- of which
- Cooling section 97 litres
- Freezer section 13 litres

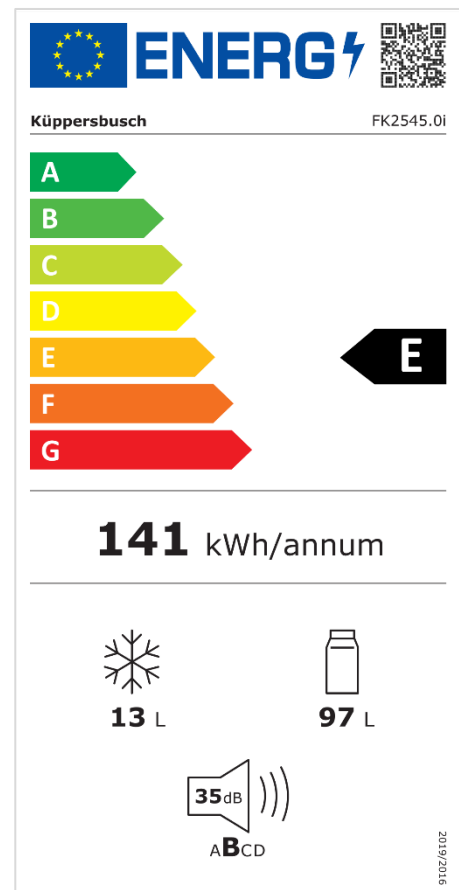
## Technical data

- Energy consumption/year 141 kWh
- Freezing capacity 2.6 kg/24h
- Storage time in the event of power failure 9 h
- Noise level 35 dB

## Dimensions

- Appliance dimensions W x H x D approx. 540 x 866 x 548 mm
- Niche dimensions W x H x D approx. 560 x 880 x 555 mm

## Energy label



<b>Product Information Sheet</b>					
COMMISSION DELEGATED REGULATION (EU) 2019/2016 with regard to energy labelling of refrigerating appliances					
<b>Supplier's name or trade mark:</b> Küppersbusch					
<b>Supplier's address:</b> Quality management, Küppersbuschstraße 2, 45883 Gelsenkirchen, DE					
<b>Model identifier:</b> FK2545.0i					
<b>Type of refrigerating appliance:</b>					
Low-noise appliance:	No	Design type:	built-in		
Wine storage appliance:	No	Other refrigerating appliance:	Yes		
<b>General product parameters:</b>					
Parameter	Value		Parameter	Value	
Overall dimensions (millimetre)	Height	866	Total volume (dm <sup>3</sup> or l)	110	
	Width	545			
	Depth	545			
EEL	100	Energy efficiency class	E		
Airborne acoustical noise emissions (dB(A) re 1 pW)	35	Airborne acoustical noise emission class	B		
Annual energy consumption (kWh/a)	141	Climate class:	tropical		
Minimum ambient temperature (°C), for which the refrigerating appliance is suitable	16	Maximum ambient temperature (°C), for which the refrigerating appliance is suitable	43		
Winter setting	No				
<b>Compartment Parameters:</b>					
		<b>Compartment parameters and values</b>			
Compartment type		Compartment Volume (dm <sup>3</sup> or l)	Recommended temperature setting for optimised food storage (°C) These settings shall not contradict the storage conditions set out in Annex IV, Table 3	Freezing capacity (kg/24h)	Defrosting type (auto-defrost=A, manual defrost=M)
Pantry	No	-	-	-	-

Wine storage	No	-	-	-	-
Cellar	No	-	-	-	-
Fresh food	Yes	97,0	4	-	M
Chill	No	-	-	-	-
0-star or ice-making	No	-	-	-	-
1-star	No	-	-	-	-
2-star	No	-	-	-	-
3-star	No	-	-	-	-
4-star	Yes	13,0	-20	2,6	M
2-star section	No	-	-	-	-
Variable temperature compartment	-	-	-	-	-
<b>For 4-star compartments</b>					
Fast freeze facility	No				
<b>Light source parameters:</b>					
Type of light source	LED				
Energy efficiency class	G				
<b>Minimum duration of the guarantee offered by the manufacturer: 24 months</b>					
<b>Additional information:</b>					
Weblink to the manufacturer's website, where the information in point4(a) Annex of Commission Regulation (EU) 2019/2019 is found: <a href="http://www.kueppersbusch-home.com">www.kueppersbusch-home.com</a>					