

# FK 4540.1 i

Refrigerator



## EAN / TKI Code

- EAN Code 4037321047830
- TKI Code 123460013

## Features

- Mechanical temperature control with rotary button
- SilverLine Design
- Defrost Mode
- VarioShelves / VarioBoxes
- Chrome-plated bottle rack
- Reversible door hinges

## Fridge/freezer compartment

- Useable capacity 198 litres

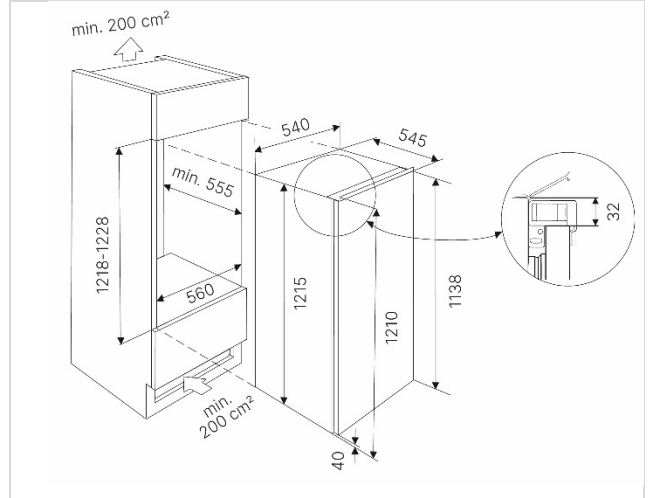
## Technical data

- Energy consumption/year 100 kWh
- Noise level 35 dB

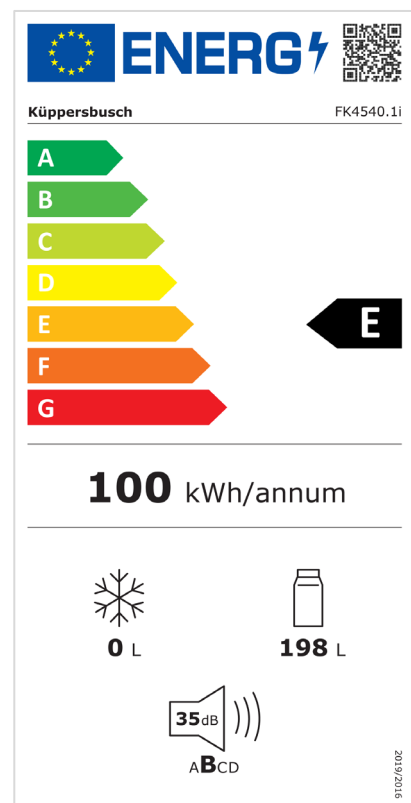
## Dimensions

- Appliance dimensions W x H x D approx 540 x 1,215 x 545 mm
- Niche dimensions W x H x D approx. 560 x 1,228 x 555 mm

## Drawing



## Energy label



## Product Information Sheet

COMMISSION DELEGATED REGULATION (EU) 2019/2016 with regard to energy labelling of refrigerating appliances

**Supplier's name or trade mark:** Küppersbusch

**Supplier's address:** Quality management, Küppersbuschstraße 2, 45883 Gelsenkirchen, DE

**Model identifier:** FK4540.1i

### Type of refrigerating appliance:

Low-noise appliance: No Design type: built-in

Wine storage appliance: No Other refrigerating appliance: Yes

### General product parameters:

Parameter	Value	Parameter	Value
Overall dimensions (millimetre)	Height	1 215	Total volume (dm <sup>3</sup> or l)
	Width	540	
	Depth	545	
EEL	100	Energy efficiency class	E
Airborne acoustical noise emissions (dB(A) re 1 pW)	35	Airborne acoustical noise emission class	B
Annual energy consumption (kWh/a)	100	Climate class:	extended temperate, temperate, subtropical
Minimum ambient temperature (°C), for which the refrigerating appliance is suitable	10	Maximum ambient temperature (°C), for which the refrigerating appliance is suitable	38
Winter setting	No		

### Compartment Parameters:

Compartment type	Compartment parameters and values			
	Compartment Volume (dm <sup>3</sup> or l)	Recommended temperature setting for optimised food storage (°C) These settings shall not contradict the storage conditions set out in Annex IV, Table 3	Freezing capacity (kg/24h)	Defrosting type (auto-defrost=A, manual defrost=M)

Pantry	No	-	-	-	-
Wine storage	No	-	-	-	-
Cellar	No	-	-	-	-
Fresh food	Yes	198,0	4	-	A
Chill	No	-	-	-	-
0-star or ice-making	No	-	-	-	-
1-star	No	-	-	-	-
2-star	No	-	-	-	-
3-star	No	-	-	-	-
4-star	No	-	-	-	-
2-star section	No	-	-	-	-
Variable temperature compartment	-	-	-	-	-
<b>Light source parameters:</b>					
Type of light source			LED		
Energy efficiency class			G		
<b>Minimum duration of the guarantee offered by the manufacturer:</b> 24 months					
<b>Additional information:</b>					
Weblink to the supplier's website, where the information in point 4 of Annex II of Commission Regulation (EU) 2019/2019 is found: <a href="http://www.home-kueppersbusch.de">www.home-kueppersbusch.de</a>					

Model placed on the Union market from 01/03/2024.



**EPREL registration number:** 1674447

<https://eprel.ec.europa.eu/qr/1674447>

**Supplier:** Küppersbusch Hausgeräte GmbH (Manufacturer)

**Website:** [www.home-kueppersbusch.com](http://www.home-kueppersbusch.com)

**Customer care service:**

**Name:** Quality management

**Website:** [www.kueppersbusch-home.com](http://www.kueppersbusch-home.com)

**Email:** [info@kueppersbusch.de](mailto:info@kueppersbusch.de)

**Phone:** +49 0209 401 631

**Address:**

Küppersbuschstraße 2  
45883 Gelsenkirchen  
Germany