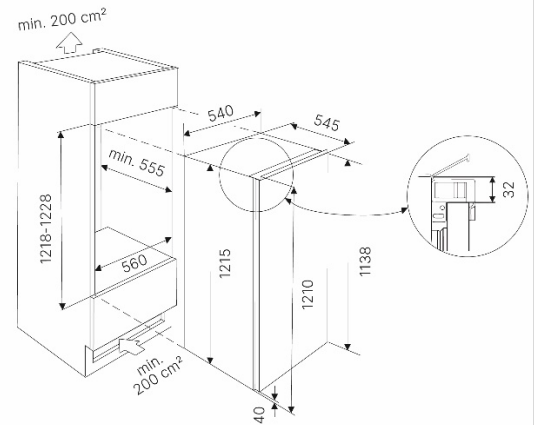


FK 4545.1 i

Refrigerator with freezer section



Drawing



EAN / TKI Code

- EAN Code 4037321047847
- TKI Code 123470008

Features

- Mechanical temperature control with rotary button
- SilverLine Design
- Defrost Mode
- VarioShelves / VarioBoxes
- Chrome-plated bottle rack
- Reversible door hinges

Fridge/freezer compartment

- Useable capacity 175 litres
- of which
- Cooling section 156 litres
- Freezer section 19 litres

Technical data

- Energy consumption/year 152 kWh
- Freezing capacity 2 kg/24h
- Storage time in the event of power failure 16 h
- Noise level 35 dB

Dimensions

- Appliance dimensions W x H x D approx. 540 x 1,215 x 545 mm
- Niche dimensions W x H x D approx. 560 x 1,228 x 555 mm

Energy label

ENERG

Küppersbusch FK4545.1i

A

B

C

D

E

F

G

E

152 kWh/annum

19 L

156 L

35dB

A B C D

201/2010

Product Information Sheet				
COMMISSION DELEGATED REGULATION (EU) 2019/2016 with regard to energy labelling of refrigerating appliances				
Supplier's name or trade mark: Küppersbusch				
Supplier's address: Quality management, Küppersbuschstraße 2, 45883 Gelsenkirchen, DE				
Model identifier: FK4545.1i				
Type of refrigerating appliance:				
Low-noise appliance:	No	Design type:	built-in	
Wine storage appliance:	No	Other refrigerating appliance:	Yes	
General product parameters:				
Parameter	Value		Parameter	Value
Overall dimensions (millimetre)	Height	1 215	Total volume (dm ³ or l)	175
	Width	540		
	Depth	545		
EEL	100	Energy efficiency class	E	
Airborne acoustical noise emissions (dB(A) re 1 pW)	35	Airborne acoustical noise emission class	B	
Annual energy consumption (kWh/a)	152	Climate class:	extended temperate, temperate, subtropical	
Minimum ambient temperature (°C), for which the refrigerating appliance is suitable	10	Maximum ambient temperature (°C), for which the refrigerating appliance is suitable	38	
Winter setting	No			
Compartment Parameters:				
Compartment type	Compartment parameters and values			
	Compartment Volume (dm ³ or l)	Recommended temperature setting for optimised food storage (°C) These settings shall not contradict the storage conditions set out in Annex IV, Table 3	Freezing capacity (kg/24h)	Defrosting type (auto-defrost=A, manual defrost=M)

Pantry	No	-	-	-	-
Wine storage	No	-	-	-	-
Cellar	No	-	-	-	-
Fresh food	Yes	156,0	4	-	A
Chill	No	-	-	-	-
0-star or ice-making	No	-	-	-	-
1-star	No	-	-	-	-
2-star	No	-	-	-	-
3-star	No	-	-	-	-
4-star	Yes	19,0	-18	2,0	M
2-star section	No	-	-	-	-
Variable temperature compartment	-	-	-	-	-
For 4-star compartments					
Fast freeze facility			No		
Light source parameters:					
Type of light source			LED		
Energy efficiency class			G		
Minimum duration of the guarantee offered by the manufacturer: 24 months					
Additional information:					
Weblink to the supplier's website, where the information in point 4 of Annex II of Commission Regulation (EU) 2019/2019 is found: www.home-kueppersbusch.de					

Model placed on the Union market from 01/03/2024.



EPREL registration number: 1674454

<https://eprel.ec.europa.eu/qr/1674454>

Supplier: Küppersbusch Hausgeräte GmbH (Manufacturer)

Website: www.home-kueppersbusch.com

Customer care service:

Name: Quality management

Website: www.kueppersbusch-home.com

Email: info@kueppersbusch.de

Phone: +49 0209 401 631

Address:

Küppersbuschstraße 2
45883 Gelsenkirchen
Germany