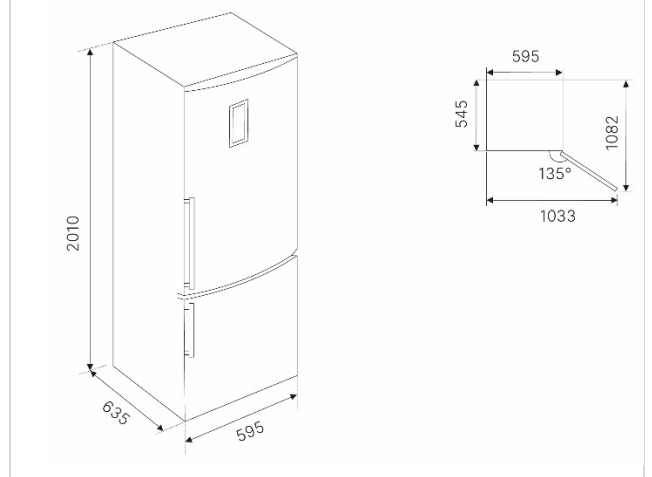


FKG 6500.0 E

Kühl-Gefrierkombination



Maßzeichnung



Energielabel

EAN / TKI Code

- EAN Code 4037321047564
- TKI Code 123410000

Ausstattung

- Elektronische Temperaturregelung über Touchsensoren
- DefrostMode
- FastCooling mit automatischer Abschaltung
- VarioShelves / VarioBoxes
- Transparente Gefrierschubladen
- Inklusive Griffe

Kühl-/Gefrierraum

- Nutzinhalt 330 Liter
- davon
- Normalkühlraum 247 Liter
- Gefrierraum 83 Liter

Technische Daten

- Energieverbrauch pro Jahr 231 kW/h
- Gefrierleistung 4 kg/24 h
- Lagerzeit bei Störungen 9 h
- Geräuschpegel 43 dB

Maße in mm

- Gerätemaße
- B x H x T ca. 595 x 2.010 x 635 mm

ENERGY

Küppersbusch FKG6500.0E

A

B

C

D

E

F

G

231 kWh/annum

83 L **247 L**

43 dB

ABC **D**

2019/2016

Küppersbusch

Product Information Sheet					
COMMISSION DELEGATED REGULATION (EU) 2019/2016					
Supplier's name or trademark: Küppersbusch					
Supplier's address: Küppersbuschstr. 2, 45883 Gelsenkirchen, DE					
Model identifier: FKG6500.0E					
Type of refrigerating appliance:					
Low-noise appliance:		No	Design type:		freestanding
Wine storage appliance:		No	Other refrigerating appliance:		Yes
General product parameters:					
Parameter		Value	Parameter		Value
Overall dimensions (millimetre)	Height	2010	Total volume (dm ³ or l)	330	
	Width	595			
	Depth	635			
EEL		100	Energy efficiency class		E
Airborne acoustical noise emissions (dB(A) re 1 pW)		43	Airborne acoustical noise emission class		D
Annual energy consumption (kWh/a)		231	Climate class:		temperate, subtropical
Minimum ambient temperature (°C), for which the refrigerating appliance is suitable		16	Maximum ambient temperature (°C), for which the refrigerating appliance is suitable		38
Winter setting		No			
Compartment Parameters:					
Compartment type		Compartment parameters and values			
		Compartment volume (dm ³ or l)	Recommended temperature setting for optimised food storage (°C) These settings shall not contradict the storage conditions set out in Annex IV, Table 3	Freezing capacity (kg/24h)	Defrosting type (auto-defrost=A, manual defrost=M)
Pantry	No	-	-	-	-
Wine storage	No	-	-	-	-
Cellar	No	-	-	-	-
Fresh food	Yes	247	4	-	A
Chill	No	-	-	-	-
0-star or ice-making	No	-	-	-	-

1-star	No	-	-	-	-
2-star	No	-	-	-	-
3-star	No	-	-	-	-
4-star	Yes	83	-18	3.89	A
2-star section	No	-	-	-	-
Variable temperature compartment	-	-	-	-	-
For 4-star compartments					
Fast freeze facility			Yes		
Light source parameters:					
Type of light source			Lighting technology used: LED; Non-directional or directional: -; Mains or non-mains: -; Connected light source (CLS): No; Colour-tuneable light source: No; Envelope: -; High luminance light source: No; Anti-glare shield: No; Dimmable: -		
Energy efficiency class			F		
Minimum duration of the guarantee offered by the manufacturer: 24 months					
Additional information:					
Weblink to the manufacturer's website, where the information in point4(a) Annex of Commission Regulation (EU) 2019/2019 is found: www.kueppersbusch-home.com					