

FKU 1545.0 i

Refrigerator – built-under



EAN / TKI Code

- EAN Code 4037321049520
- TKI Code 123470009

Features

- Mechanical temperature control with rotary button
- SilverLine Design
- Defrost Mode
- VarioShelves / VarioBoxes
- Reversible door hinges
- Ventilation in plinth

Fridge/freezer compartment

- Useable capacity 111 litres
- of which
- Cooling section 95 litres
- Freezer section 16 litres

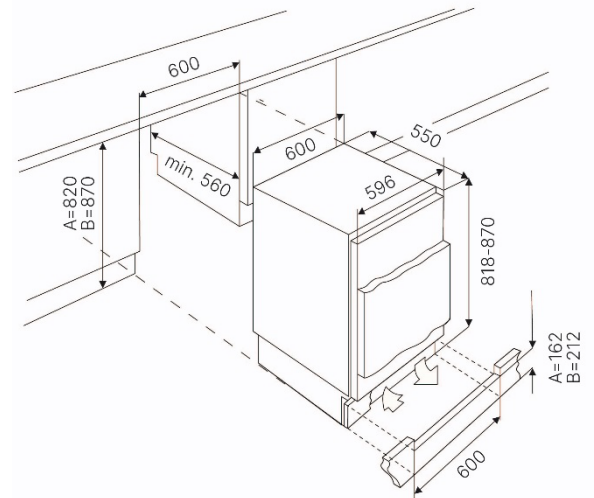
Technical data

- Energy consumption/year 147 kWh
- Freezing capacity 2.6 kg/24h
- Storage time in the event of power failure 11 h
- Noise level 40 dB

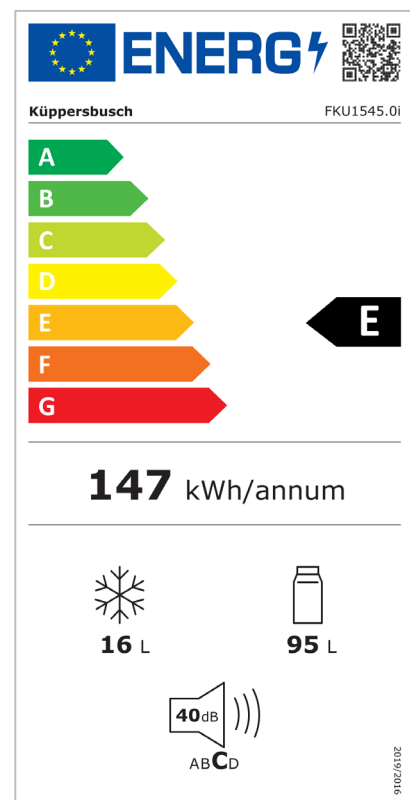
Dimensions

- Appliance dimensions W x H x D approx. 596 x 818-868 x 550 mm
- Niche dimensions W x H x D approx. 600 x 820-870 x 560 mm

Drawing



Energy label



Product Information Sheet					
COMMISSION DELEGATED REGULATION (EU) 2019/2016 with regard to energy labelling of refrigerating appliances					
Supplier's name or trade mark: Küppersbusch					
Supplier's address: Quality management, Küppersbuschstraße 2, 45883 Gelsenkirchen, DE					
Model identifier: FKU1545.0i					
Type of refrigerating appliance:					
Low-noise appliance:	No	Design type:	built-in		
Wine storage appliance:	No	Other refrigerating appliance:	Yes		
General product parameters:					
Parameter	Value		Parameter	Value	
Overall dimensions (millimetre)	Height	818	Total volume (dm ³ or l)	111	
	Width	596			
	Depth	550			
EEL	100	Energy efficiency class	E		
Airborne acoustical noise emissions (dB(A) re 1 pW)	40	Airborne acoustical noise emission class	C		
Annual energy consumption (kWh/a)	147	Climate class:	temperate, subtropical		
Minimum ambient temperature (°C), for which the refrigerating appliance is suitable	16	Maximum ambient temperature (°C), for which the refrigerating appliance is suitable	38		
Winter setting	No				
Compartment Parameters:					
Compartment type	Compartment parameters and values				
	Compartment Volume (dm ³ or l)	Recommended temperature setting for optimised food storage (°C) These settings shall not contradict the storage conditions set out in Annex IV, Table 3	Freezing capacity (kg/24h)	Defrosting type (auto-defrost=A, manual defrost=M)	
Pantry	No	-	-	-	

Wine storage	No	-	-	-	-
Cellar	No	-	-	-	-
Fresh food	Yes	95,0	-	-	M
Chill	No	-	-	-	-
0-star or ice-making	No	-	-	-	-
1-star	No	-	-	-	-
2-star	No	-	-	-	-
3-star	No	-	-	-	-
4-star	Yes	16,0	-	2,6	M
2-star section	No	-	-	-	-
Variable temperature compartment	-	-	-	-	-
For 4-star compartments					
Fast freeze facility			Yes		
Light source parameters:					
Type of light source			LED		
Energy efficiency class			G		
Minimum duration of the guarantee offered by the manufacturer: 24 months					
Additional information:					
Weblink to the supplier's website, where the information in point 4 of Annex II of Commission Regulation (EU) 2019/2019 is found: www.home-kueppersbusch.de					

Model placed on the Union market from 01/07/2024.



EPREL registration number: 1826574

<https://eprel.ec.europa.eu/qr/1826574>

Supplier: Küppersbusch Hausgeräte GmbH (Manufacturer)

Website: www.home-kueppersbusch.com

Customer care service:

Name: Quality management

Website: www.kueppersbusch-home.com

Email: info@kueppersbusch.de

Phone: +49 0209 401 631

Address:

Küppersbuschstraße 2
45883 Gelsenkirchen
Germany