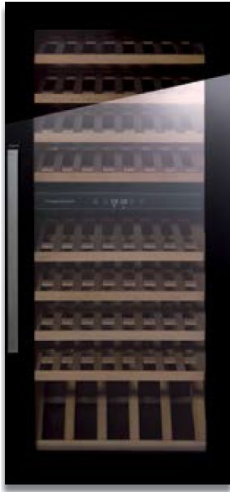


# FWK 4800.0 S

Weinklimaschrank - Einbau



## EAN / TKI Code

- EAN Code 4037321045034
- TKI Code 123600004

## Ausstattung

- Elektronische Temperaturregelung über Drucktasten
- Elektronische Temperaturanzeige
- Kapazität für bis zu 79 Flaschen (Bordeaux-Flasche 0,75 l)
- 8 Holzauszüge, herausziehbar
- 1 x 45°-Holzetagere zur Präsentation
- Schwarze Glastür mit UV-Schutzsystem
- 2 Temperaturzonen (mit Raumtrenner), einstellbar von 5°C - 18°C
- LED Innenbeleuchtung (pro Temperaturzone 2 LED's à 0,2 W)
- Umluft-Kühlsystem mit Ventilator
- Akustisches Warnsignal
- Türanschlag wechselbar
- Wasserbehälter zur zusätzlichen Befeuchtung inklusive
- Türöffnungswinkelbegrenzung 90°
- **Exklusive Griff (siehe Sonderzubehör)**

## - Technische Daten

- Energieverbrauch pro Jahr 170 kWh
- Geräuschpegel 39 dB

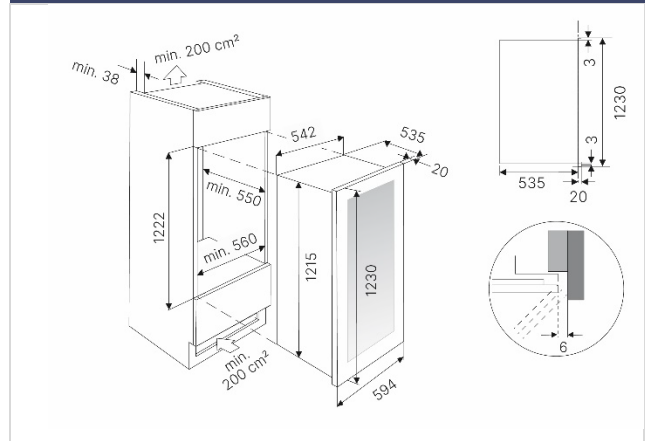
## - Sonderzubehör Griffe

- Edelstahl DK 8801
- Black Chrome DK 8802
- Silver Chrome DK 8803
- Gold DK 8804
- Black Velvet DK 8805
- Copper DK 8807

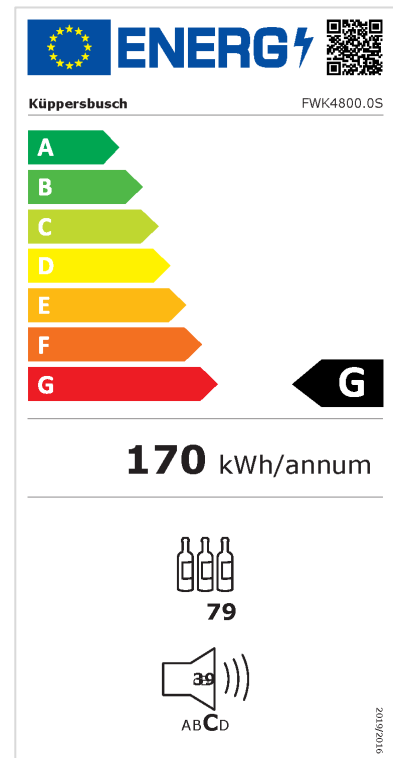
## - Maße in mm

- Gerätemaße (exkl. Griff)  
B x H x T ca. 594 x 1230 x 555 mm
- Nischenmaße  
- B x H x T ca. 560 x 1222 x 550 mm

## Maßzeichnung



## Energielabel



<b>Product Information Sheet</b>					
COMMISSION DELEGATED REGULATION (EU) 2019/2016					
<b>Supplier's name or trademark:</b> Küppersbusch					
<b>Supplier's address:</b> Küppersbuschstr. 2, 45883 Gelsenkirchen, DE					
<b>Model identifier:</b> FWK4800.0S					
<b>Type of refrigerating appliance:</b>					
Low-noise appliance:		No	Design type:		built-in
Wine storage appliance:		Yes	Other refrigerating appliance:		No
<b>General product parameters:</b>					
Parameter		Value	Parameter		Value
Overall dimensions (millimetre)	Height	1232	Total volume (dm <sup>3</sup> or l)		204
	Width	595			
	Depth	430			
EEL		186	Energy efficiency class		G
Airborne acoustical noise emissions (dB(A) re 1 pW)		39	Airborne acoustical noise emission class		C
Annual energy consumption (kWh/a)		170	Climate class:		extended temperate, temperate
Minimum ambient temperature (°C), for which the refrigerating appliance is suitable		10	Maximum ambient temperature (°C), for which the refrigerating appliance is suitable		32
Winter setting		No			
<b>Compartment Parameters:</b>					
Compartment type		Compartment parameters and values			
		Compartment volume (dm <sup>3</sup> or l)	Recommended temperature setting for optimised food storage (°C) These settings shall not contradict the storage conditions set out in Annex IV, Table 3	Freezing capacity (kg/24h)	Defrosting type (auto-defrost=A, manual defrost=M)
Pantry	No	-	-	-	-
Wine storage	Yes	204	12	-	A
Cellar	No	-	-	-	-
Fresh food	No	-	-	-	-
Chill	No	-	-	-	-

0-star or ice-making	No	-	-	-	-
1-star	No	-	-	-	-
2-star	No	-	-	-	-
3-star	No	-	-	-	-
4-star	No	-	-	-	-
2-star section	No	-	-	-	-
Variable temperature compartment	-	-	-	-	-
<b>Light source parameters:</b>					
Type of light source	Lighting technology used: LED; Non-directional or directional: -; Mains or non-mains: -; Connected light source (CLS): Yes; Colour-tuneable light source: No; Envelope: -; High luminance light source: No; Anti-glare shield: No; Dimmable: -				
Energy efficiency class	-				
<b>Minimum duration of the guarantee offered by the manufacturer:</b> 24 months					
<b>Additional information:</b>					
<b>Weblink to the manufacturer's website, where the information in point4(a) Annex of Commission Regulation (EU) 2019/2019 is found:</b> <a href="http://www.kueppersbusch-home.com">www.kueppersbusch-home.com</a>					