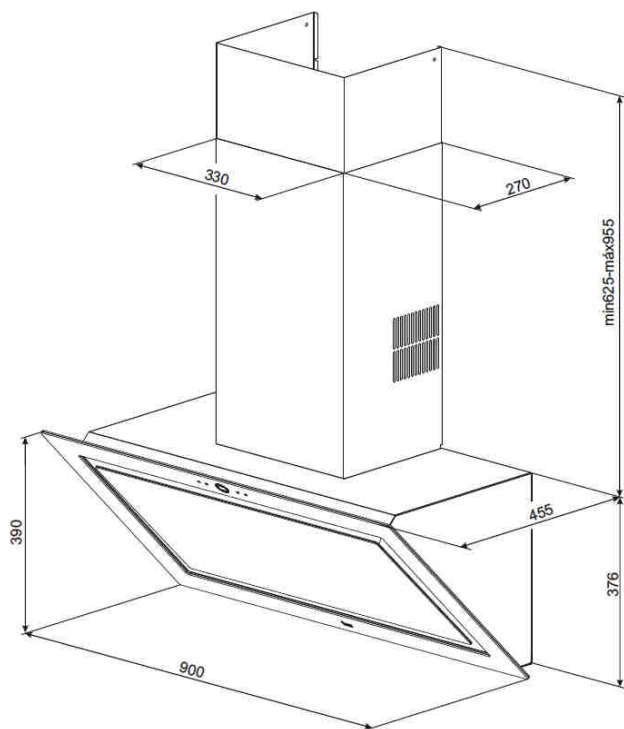


QUADRO DLV 985 BK



CHARACTERISTICS

- Vertical Hood with HL family look
- 90 cm width
- Panoramic design
- Rim- extraction
- Touch control with white display
- LED BAR 7W
- 3 speeds + Intensive
- Stop delay timer
- Filter saturation indicator
- Aluminum filters
- Double turbine motor
- Reduction 150/120mm included
- European plug included
- Optional recirculation mode (SET 1/N+FILTER ADAPTOR)
- Annual Energy Consumption (AEC_{hood}) kWh/a 51,8
- Energy Efficiency class A
- Fluid Dynamic Efficiency (FDE_{hood}) 34,5
- Fluid Dynamic Efficiency class A
- Light Efficiency (Le_{hood}) lux/Watt 55,7
- Lighting Efficiency class A
- Grease Filtering Efficiency (GFE_{hood}) % 75,9
- Grease Filtering Efficiency class C
- Air flow (Q_{min}) m³/h 325
- Air flow (Q_{max}) m³/h 614
- Air flow (Q_{boost}) m³/h 782
- Noise (L_{WA}) Min Speed dB 54
- Noise (L_{WA}) Max Speed dB 65
- Noise (L_{WA}) Boost Speed dB 72
- Off mode Power (P_o) W 0,32
- Standby Power (P_s) W N/A
- Energy Efficiency Index (EEI_{hood}) 48,3
- Time increase actor (f) 0,8
- Air flow at best efficiency point (Q_{bep}) m³/h 440
- Air pressure at best efficiency point (P_{bep}) Pa 452
- Electric power input at best efficiency point (W_{bep}) W 160
- Nominal power of the lighting system (WL) W 7
- Average illumination of the lighting system on the cooking surface (E_{middle}) Lux 390

DESCRIPTION	TKI CODE	EAN
QUADRO DLV 985 BK NEGRA	40437200	8421152145685