



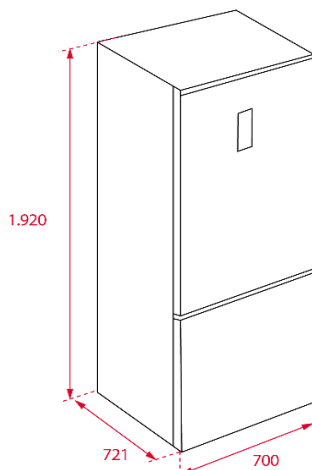
## Features

- Combi Free Standing Refrigerator
- Electronic control panel with display on door
- Reversible door with fingerprint proof treatment
- LongLife No Frost
- 4 safety glass shelves and 4 transparent door balconies
- Conservation zone (0-3°C) ZeroBox and VitaCare Box
- Chiller (0-3°C Zone)
- 4\* freezer
- Chromed bottle rack
- Electronic adjustable thermostat
- Inner light LED (Side)
- Antibacterial treatment (odour filter)
- Fast freezing and fast cooling button
- Fuzzy Logic Function
- Holidays function
- ECO function
- IonClean
- Adjustable Back Feet from Front
- Autonomy from power failure: 24h
- 1 compressor / R600a
- Total gross capacity: 510L
- Refrigerator/Freezer net capacity : 333 L / 128 L
- FlexiRack (V-lift)

## External dimensions

↑1920 mm →700 mm 712mm

## Technical drawing



## Color

## Reference

## EAN 13

- | Color         | Reference | EAN 13        |
|---------------|-----------|---------------|
| • Black Glass | 113400000 | 8434778003932 |

## Technical data

- |                           |                |
|---------------------------|----------------|
| • Energy Efficiency class | A++            |
| • Climate Class           | SN-T           |
| • Energy Consumption      | 0,879 kWh/24h  |
| • Annual consumption      | 321 kWh/year   |
| • Freezing capacity       | 9 Kg/24h       |
| • Noise level             | 43 dBA         |
| • Power supply            | 220-240V/50 Hz |