



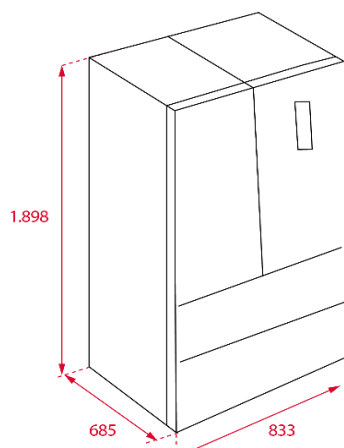
Features

- Four Doors Free standing refrigerator
- LongLife No Frost
- 4* freezer
- Electronic control panel with display on door
- 2 Antibacterial systems
- Freezing / Cooling Set Button
- Fast Freeze / Quick Cool Button
- Gourmet Box
- Fuzzy logic´ temperature control system
- Holiday function
- Electronic adjustable thermostat
- Inner light Refrigerator / Freezer
- Adjustable inner shelves / door balconies
- Temperature and humidity regulation in drawers
- IONCLEAN ionizer
- Safety glass shelves
- Chiller (0-3 Zone) with Gourmet Box
- Freezer: 2 drawers, 1 ice cube tray
- Fridge: 2 Vegetable Drawers (VitaCare), 3 shelves, 6 door balconies and bottle rack
- Volumes (G/N): 537/500 liters
- Volumes Refrigerator/Chiller/Freezer: 304/31/165 liters
- Autonomy: 15 hours
- One compressor R-600a

External dimensions

↑1898 mm →833 mm ☐685 mm

Technical drawing



Color	Reference	EAN 13
Glass Black	113430004	8434778001471

Technical data

- Energy Efficiency class A++
- Climate Class T
- Energy consumption 0,915 Kw/24h
- Annual consumption 333 kWh/year
- Freezing capacity 13 kg/24h
- Noise level 42 dBA
- Power supply 230V/50 Hz