



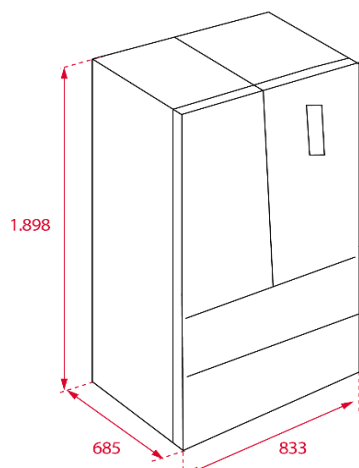
Features

- Four Doors Free standing refrigerator
- 4* freezer Full No-Frost
- Electronic control panel with display on door
- Stainless steel fingerprint proof door
- 2 Antibacterial systems
- Freezing / Cooling Set Button
- Fast Freeze / Quick Cool Button
- Gourmet Box
- Fuzzy logic´ temperature control system
- Holiday function
- Electronic adjustable thermostat
- Inner light Refrigerator / Freezer
- Adjustable inner shelves / door balconies
- Temperature and humidity regulation in drawers
- IONCLEAN ionizer
- Safety glass shelves
- Chiller (0-3 Zone) with Gourmet Box
- Freezer: 2 drawers, 1 ice cube tray
- Fridge: 2 Vegetable Drawers (VitaCare), 3 shelves, 6 door balconies and bottle rack
- Volumes (G/N): 537/500 liters
- Volumes Refrigerator/Chiller/Freezer: 304/31/165 liters
- Autonomy: 15 hours
- One compressor R-600a

External dimensions

↑1898 mm →833 mm ☐685 mm

Technical drawing



Color	Reference	EAN 13
SS	113430005	8434778001488

Technical data

- | | |
|---------------------------|--------------|
| • Energy Efficiency class | A++ |
| • Climate Class | T |
| • Energy consumption | 0,915 Kw/24h |
| • Annual consumption | 333 kWh/year |
| • Freezing capacity | 13 kg/24h |
| • Noise level | 42 dBA |
| • Power supply | 230V/50 Hz |