



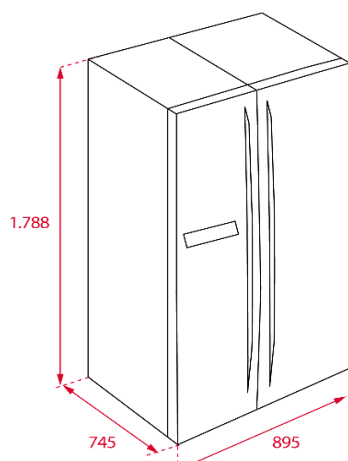
### Features

- American Side by side Free standing refrigerator
- Full No Frost
- 4\* freezer
- Electronic control panel with display on door
- Fingerprint proof treatment on door
- Freezing / Cooling Set Button
- Fast Freeze / Quick Cool Button
- Electronic adjustable thermostat and holiday function (ECO)
- Inner light Refrigerator / Freezer
- Adjustable inner shelves (HOTSTAMP)
- Twister ice maker (2 trays)
- External metal handle
- Safety glass shelves
- 8 inner shelves and 10 door balconies
- 2 Fresh Box (Vegetable drawer)
- 2 freezer drawers
- Net Volume: 510 liters
- Volumes Refrigerator/Freezer: 335/175 liters
- Autonomy: 10 hours
- One compressor R-600a

### External dimensions

↑1788 mm →895 mm ↗745 mm

### Technical drawing



### Color

- Stainless Steel

### Reference

113430012

### EAN 13

8434778003918

### Technical data

- Energy Efficiency class A+
- Climate Class N-T
- Energy consumption 1,11 kWh/24 h
- Annual consumption 405 kW/year
- Noise level 43 dBA
- Power supply 220-240V/50 Hz