



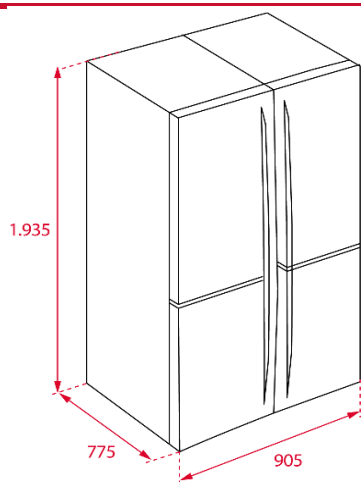
## Features

- Four Doors Free standing refrigerator
- LongLife No Frost
- 4\* freezer
- Electronic control panel with display on door
- Fingerprint proof treatment on door
- Antibacterial treatment (Odour filter)
- Freezing / Cooling Set Button
- Fast Freeze / Quick Cool Button
- Multipurpose compartment
- Fuzzy logic´ temperature control system
- Manual adjustable thermostat and holiday function
- Inner light Refrigerator / Freezer
- Adjustable inner shelves / door balconies
- Temperature and humidity regulation in drawers
- IONCLEAN ionizer
- Safety glass shelves
- Chiller (0-3 Zone)
- Freezer: 6 drawers, 2 ice cube tray
- Fridge: 2 Vegetable Drawers (FreshBox), 3 shelves, 6 door balconies
- Net Volume: 637 liters
- Volumes Refrigerator/Freezer: 455/182 liters
- Autonomy: 16h
- One compressor R-600a

## External dimensions

↑1935 mm →905 mm ☐775 mm

## Technical drawing



Color	Reference	EAN 13
Stainless Steel	113430009	8434778003888



## Technical data

- |                           |                |
|---------------------------|----------------|
| • Energy Efficiency class | A++            |
| • Climate Class           | N-T            |
| • Energy consumption      | 1,04 kWh/24h   |
| • Annual consumption      | 380 kWh/year   |
| • Freezing capacity       | 15 Kg/24h      |
| • Noise level             | 43 dBA         |
| • Power supply            | 220-240V/50 Hz |