



TEKA

User Manual
RSF 75650 SS

EN ES FR PT

www.teka.com





Contents

Important safety instructions	2
Environmental protection.....	5
Install Instruction.....	6
Door reversal (Optional).....	7
Door handle installation.....	8
Leveling feet.....	9
Moving the appliance.....	9
Tips for energy saving.....	9
Product overview	10
Parts and functions.....	10
Operation Instructions	11
Use and functions	11
Storing food.....	13
Maintenance and cleaning.....	14
Troubleshooting.....	15
Appendix	17
Special for new European standard	17

Before switching on the appliance for the first time read the following safety hints!

- > This appliance is intended to be used in household and similar applications such as staff kitchen areas in shops, offices and other working environments; farm houses and by clients in hotels, motels and other residential type environments; bed and breakfast type environments; catering and similar non-retail applications.
- > This appliance is not intended for use by persons (including children) with reduced physical, sensory or mental capabilities, or lack of experience and knowledge, unless they have been given supervision or instruction concerning use of the appliance by a person responsible for their safety.

Explanation of terms/symbols

	DANGER This symbol indicates that there are dangers to the life and health of persons due to extremely flammable gas.
	WARNING The signal word indicates a hazard with a medium level of risk which, if not avoided, may result in death or serious injury.
	CAUTION The signal word indicates a hazard with a low degree of risk which, if not avoided, may result in minor or moderate injury.
	ATTENTION The signal word indicates important information (e.g. damage to property), but not danger.

IMPORTANT: Pay particular attention to messages that contain the words **DANGER**, **WARNING** or **CAUTION**. These words are used to alert you to a potential hazard that can seriously injure you and others.

The instructions will tell you how to reduce the chance of injury and let you know what can happen if the instructions are not followed.

ATTENTION: These operating instructions are general. This means that certain functions apply to your refrigerator/freezer, while others do not.

We are constantly working on the further development and improvement of our appliance types and models. Therefore, we reserve the right to make changes to the design, equipment and accessories of all types and models without prior notice.

For appliances intended to be used at altitudes above 2000 m, the maximum altitude for use must be indicated.

Keep the Warranty Certificate or the sheet of technical data with the Instructions Handbook during the appliance life. It contains important technical data.

IMPORTANT SAFETY INSTRUCTIONS

READ AND SAVE THESE INSTRUCTIONS!



WARNING: Risk of fire / flammable material

Refrigerant and cyclopentane foaming material used for the appliance are flammable. Therefore, when the appliance is scrapped, it shall be kept away from any fire source and be recovered by a special recovering company with corresponding qualification other than be disposed by combustion, so as to prevent damage to the environment or any other harm



WARNING

General Safety

- > Children should be supervised to ensure that they do not play with the appliance.
- > If the supply cord is damaged, it must be replaced by the manufacturer, its service agent or similarly qualified persons in order to avoid a hazard.
- > Do not store explosive substances such as aerosol cans with a flammable propellant in this appliance.
- > The appliance has to be unplugged after use and before carrying out user maintenance on the appliance.
- > **WARNING:** Keep ventilation openings, in the appliance enclosure or in the built-in structure, clear of obstruction.
- > **WARNING:** Do not use mechanical devices or other means to accelerate the defrosting process, other than those recommended by the manufacturer.
- > **WARNING:** Do not damage the refrigerant circuit.
- > **WARNING:** Do not use electrical appliances inside the food storage compartments of the appliance, unless they are of the type recommended by the manufacturer.
- > **WARNING:** Please abandon the refrigerator according to local regulators for its use flammable blowing gas and refrigerant.
- > **WARNING:** When positioning the appliance, ensure the supply cord is not trapped or damaged.
- > **WARNING:** Do not locate multiple portable socket-outlets or portable power supplies at the rear of the appliance.
- > Do not use extension cords or ungrounded (two prong) adapters.
- > To avoid a hazard due to instability of the appliance, it must be fixed in accordance with the instructions.
- > The refrigerator must be disconnected from the source of electrical supply before attempting the installation of accessory. Ensure that the power cable is not trapped by the refrigerator. Do not step on the power cable.
- > For a freestanding appliance: this refrigerating appliance is not intended to be used as a built-in appliance.



CAUTION

Daily use

- > Do not pull the power cord when pulling the power plug of the refrigerator. Please firmly grasp the plug and pull out it from the socket directly.
- > To ensure safe use, do not damage the power cord or use the power cord when it is damaged or worn.
- > Please use a dedicated power socket and the power socket shall not be shared with other electrical appliances.
- > The power plug should be firmly contacted with the socket or else fires might be caused.
- > Please ensure that the grounding electrode of the power socket is equipped with a reliable grounding line.
- > Please turn off the valve of the leaking gas and then open the doors and windows in case of leakage of gas and other flammable gases.
- > Do not unplug the refrigerator and other electrical appliances considering that spark may cause a fire.
- > Do not use electrical appliances on the top of the appliance, unless they are of the type recommended by the manufacturer.
- > The gaps between refrigerator doors and between doors and refrigerator body are small, be noted not to put your hand in these areas to prevent from squeezing the finger. Please be gentle when close the refrigerator door to avoid falling articles.
- > Do not pick foods or containers with wet hands in the freezing chamber when the refrigerator is running, especially metal containers in order to avoid frostbite.
- > Do not allow any child to get into or climb the refrigerator; otherwise suffocation or falling injury of the child may be caused.
- > Do not place heavy objects on the top of the refrigerator considering that objectives may fall when close or open the door, and accidental injuries might be caused.
- > Do not put flammable, explosive, volatile and highly corrosive items in the refrigerator to prevent damages to the product or fire accidents.
- > Do not place flammable items near the refrigerator to avoid fires.
- > The refrigerator is intended for household use, such as storage of foods; it shall not be used for other purposes, such as storage of blood, drugs or biological products, etc.
- > Do not store beer, beverage or other fluid contained in bottles or enclosed containers in the freezing chamber of the refrigerator; or otherwise the bottles or enclosed containers may crack due to freezing to cause damages.



WARNING

- > Connect to potable water supply only. (Suitable for ice cube maker) (*)
- > To prevent children from being entrapped, the keys must be kept out of reach of children and not in the vicinity of chest freezer (or refrigerator) (suitable for products with locks).(*)

(*): This feature varies depending on the model purchased.



WARNING

For EU standard:

This appliance can be used by children aged from 8 years and above and persons with reduced physical, sensory or mental capabilities or lack of experience and knowledge if they have been given supervision or instruction concerning use of the appliance in a safe way and understand the hazards involved. Children shall not play with the appliance. Cleaning and user maintenance shall not be made by children without supervision.

To avoid contamination of food, please respect the following instructions:

- Opening the door for long periods can cause a significant increase of the temperature in the compartments of the appliance.
- Clean regularly surfaces that can come in contact with food and accessible drainage systems.
- Clean water tanks if they have not been used for 48h; flush the water system connected to a water supply if water has not been drawn for 5 days. **(Note 1)(*)**
- Store raw meat and fish in suitable containers in the refrigerator, so that it is not in contact with or drip onto other food.
- Two-star frozen-food compartments are suitable for storing pre-frozen food, storing or making ice-cream and making ice cubes. **(Note 2)(*)**
- 1 star, 2 star and 3 star compartments are not suitable for the freezing of fresh food. **(note 3)(*)**
- For appliances without a 4-star compartment: this refrigerating appliance is not suitable for freezing foodstuffs. **(note 4)(*)**
- If the refrigerating appliance is left empty for long periods, switch off, defrost, clean, dry, and leave the door open to prevent mould developing within the appliance.

Note 1,2,3,4: Please confirm whether it is applicable according to your product compartment type.

(*): This feature varies depending on the model purchased.



"4 star" symbol: Freezer at -18 °C or colder, and it has the ability of quick freezing a certain amount of food



"3 star" symbol: Freezer compartment at -18 °C or colder



"2 star" symbol: Freezer compartment at -12 °C or colder



"1 star" symbol: Freezer compartment with a target temperature and storage conditions of -6 °C



CAUTION

This product is not recommended for use with sockets or main switch with the AFCI/GFCI function, otherwise it may cause false tripping.

1. It's not pose a safety risk when tripped.
2. If tripping persists, it is recommended to replace the sockets or main switch without AFCI/GFCI function.



WARNING

Risk of child entrapment. Before you throw away your old refrigerator or freezer:

- > Take off the doors.
- > Leave the shelves in place so that children may not easily climb inside.



WARNING

- > A damaged power cable must be replaced by a qualified electrician.
- > Children under three years should stay clear unless continuous supervision.

ENVIRONMENTAL PROTECTION

Disposing of old electrical devices in an environmentally-friendly manner



This crossed-out wheeled bin symbol indicates that waste electrical and electronic products (WEEE) should be disposed of separately from the municipal waste stream.

Old electrical products can contain hazardous substances so correct disposal of your old appliance will help prevent potential negative consequences for the environment and human health. Your old appliance may contain reusable parts that could be used to repair other products, and other valuable materials that can be recycled to conserve limited resources.

Package information



Packaging materials of the product are manufactured from recyclable materials in accordance with our National Environment Regulations. Do not dispose of the packaging materials together with the domestic or other wastes. Take them to the packaging material collection points designated by the local authorities.

CAUTION

Refrigerant and cyclopentane foaming material used for the refrigerator are flammable. Therefore, when the refrigerator is scrapped, it shall be kept away from any fire source and be recovered by a special recovering company with corresponding qualification other than be disposed by combustion, so as to prevent damage to the environment or any other harm.

INSTALL INSTRUCTION

Before first use

Remove the exterior and interior packing, wipe the outside thoroughly with a soft dry cloth and the inside with a wet, lukewarm cloth.

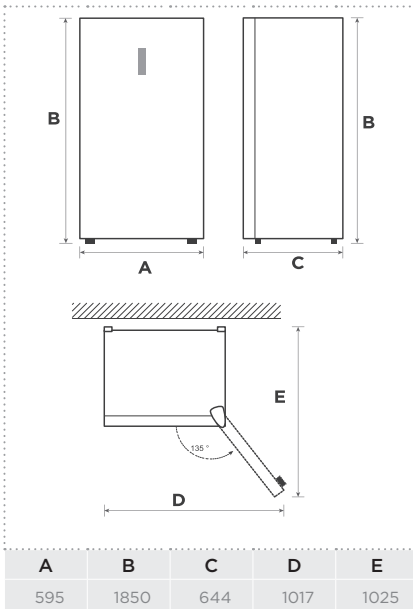
Avoid placing the cabinet in a narrow recess or near any heat source, direct sunlight, or moisture.

Let air circulate freely around the cabinet. When installing the unit, ensure that 10 cm of free space is left at both sides, 10 cm at the rear of the unit and 30 cm at the top of the unit.

Before connecting your refrigerator to the power supply, check that the voltage stated on the rating label of your appliance corresponds to the voltage in your home. A different voltage could damage the appliance.

The appliance must be grounded. The manufacturer is not responsible for damages that may occur as a result of usage without grounding.

Space requirement diagram

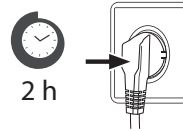


Notice: All dimensions in mm

Connecting the appliance

After installing the product, please let it stay for more than 2 hours before turning on the power, otherwise it will lead to a decrease in cooling capacity or a damage to the product.

Need to allow the disconnection of the appliance from the mains supply after the installation, through an accessible plug or main switch.



Allow the appliance to run empty for 24 hours so the compartment can cool to the appropriate temperature.

CAUTION

The refrigerator should always be plugged into its own individual electrical outlet which has a voltage rating that matches the rating plate. When positioning the appliance, ensure the supply cord is not trapped or damaged.

Ambient Temperature

Depending on the climate class, this freezer is intended to be used at an ambient temperature range as specified in the following table.

The product may not operate properly at temperatures outside of the specific range.

You can find the climate class on the product label.

Climate Class	Ambient Temperature
SN	+10 °C to +32 °C
N	+16 °C to +32 °C
ST	+16 °C to +38 °C
T	+16 °C to +43 °C

If you have any doubts regarding installation, please turn to the vendor, to our customer service or to the nearest Authorised Service Centre.

ATTENTION

The cooling performance and power consumption of the refrigerator may be affected by the ambient temperature, the door-opening frequency, and the location of the refrigerator. We recommend adjusting the temperature settings as appropriate.

Door reversal (Optional)

Based on the location where you plan to use your refrigerator, you may find it more convenient to reverse the position of the door.

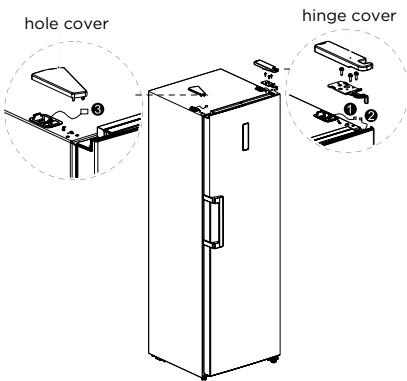
CAUTION

To avoid injury to yourself or your property, we recommend that someone assist you during the door reversal process.

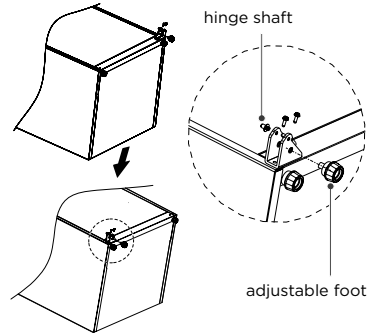
- > Make sure that your refrigerator is unplugged and empty.
- > Have someone available to assist you in the process.
- > Keep all of the parts you remove to reuse them later.

STEP:

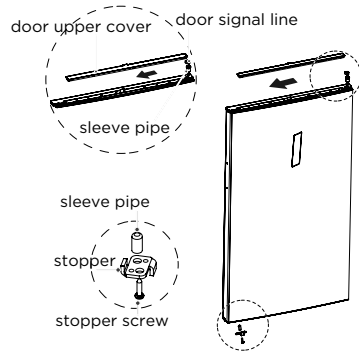
1. Power off the refrigerator, and remove all objects from the door trays.
2. Dismantle the upper hinge cover, screws and upper hinge, and remove the hole cover from the other side. unplug the wiring connector on the right side of refrigerator top (**1** **2** wiring connector).



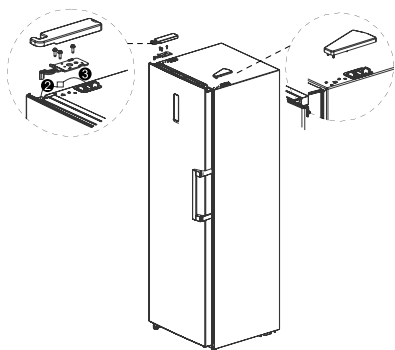
3. Dismantle the door and right bottom hinge assembly (hinge shaft & adjustable foot & hinge), disassemble the right bottom hinge assembly, and assembly the hinge shaft and adjustable foot on the other side of hinge, then assemble the whole hinge assembly on the other side of refrigerator.



4. Remove the door upper cover, install the upper hinge sleeve, door signal line to the other side and install the door upper cover. Dismantle the right door stopper, sleeve pipe from the right bottom of door, insert the sleeve pipe into hinge hole of left bottom of door, and take out left door stopper from the accessory bag, and assemble it on left bottom of door, the right door stopper could be reserved for future use.



5. Take out the left top hinge, left top hinge cover from accessories package; Place the door on bottom hinge ,and mount left top hinge. Connect signal line terminal ③ with signal line terminal ②, mount top hinge cover and hole cover.



ATTENTION

Differences: Due to technical changes and different models, some of the illustrations in this manual may differ from your model.

Door handle installation

Precautions shall be taken to prevent fall of the handle from causing any personal injury.

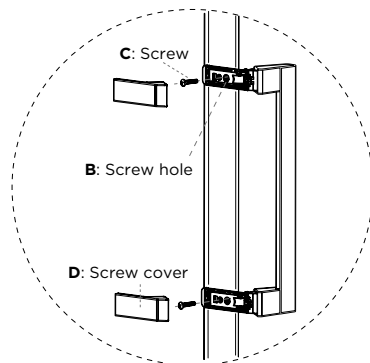
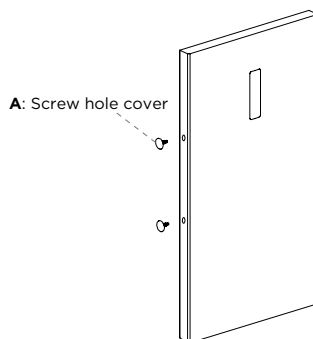
Assembly steps:

1. Remove the screw hole caps 'A' from the door, and use cross screwdriver to fix screws 'C' into the screw hole 'B' tightly.
2. Assemble the hole caps 'D' on the screw hole of handle.
3. The reverse operation is for disassembly.

List of tools to be provided by the user



Cross screwdriver



ATTENTION

Differences: Due to technical changes and different models, some of the illustrations in this manual may differ from your model.



Leveling feet

To avoid vibration, the appliance must be leveled.

If required, adjust the leveling feet to compensate for the uneven floor.

The front should be slightly higher than the rear to aid in door closing.

Leveling feet can be turned easily by tipping the cabinet slightly.

Turn the leveling feet counter clockwise  to raise the unit, clockwise  to lower it.

Changing the light

Any replacement or maintenance of the LED lamps is intended to be made by the manufacturer, its service agent or similar qualified person.

This product contains a light sources of energy efficiency class (F).

Moving the appliance

1. Remove all items from the appliance.
2. Pull the power plug out, insert and fix it into the power plug hook at the rear or on top of the appliance.
3. Tape parts such as shelves and the door to prevent from falling off while moving the appliance.
4. Move the appliance with more than two people carefully. When transporting the appliance over a long distance, keep the appliance upright.

ATTENTION

After connecting the power supply cord (or plug) to the outlet, wait 2 or 3 hours before you put food into the appliance. If you add food before the appliance has cooled completely, your food may spoil.

Tips for energy saving

Do not place the appliance near cookers, radiators or other heat sources. If the ambient temperature is high, the compressor will run more frequently and for longer, resulting in increased energy consumption.

Ensure that there is sufficient ventilation at the base of the appliance, on the sides of the appliance and at the back of the appliance.

Please also observe the spacing dimensions in the chapter "Installation".

The arrangement of drawers, shelves and trays as shown in the product overview offers the most efficient use of energy and should be retained as far as possible.

To obtain a larger storage space (e.g. for large refrigerated/frozen goods), the middle drawers and shelves can be removed. The top and bottom drawers and shelves should be removed last if necessary.

An evenly filled refrigerator/freezer compartment contributes to optimal energy use.

Allow warm food to cool before placing it in the refrigerator/freezer compartment. Food that has already cooled down increases energy efficiency.

Allow frozen food to defrost in the refrigeration compartment. The coldness of the frozen food reduces the energy consumption in the refrigerator compartment and thus increases the energy efficiency.

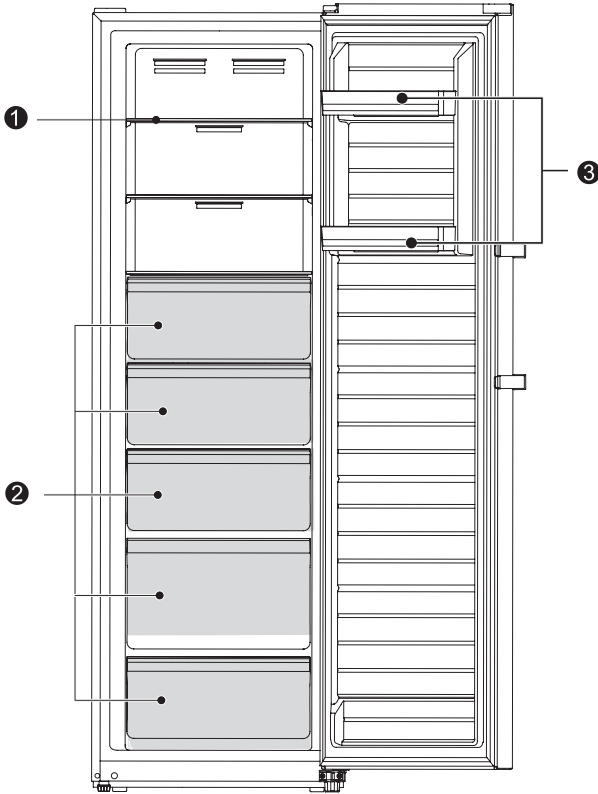
Open the door only as briefly as necessary to minimise cold loss. Opening the door briefly and closing it properly reduces energy consumption.

Setting the temperature no colder than necessary contributes to optimal energy use.

The door gaskets of your appliance must be perfectly intact so that the doors close properly and energy consumption is not increased unnecessarily.

PRODUCT OVERVIEW

Parts and functions



- 1 Shelf
- 2 Drawer
- 3 Door tray

- > For the most efficient use of energy, please keep the all internal items such as trays, drawers and shelves on the position supplied by manufacturer.
- > This refrigerating appliance needs to be installed independently and cannot be used as a built-in. Otherwise, it will cause problems such the performance and life of the appliance are reduced. And the manufacturer does not provide basic appliance warrant.

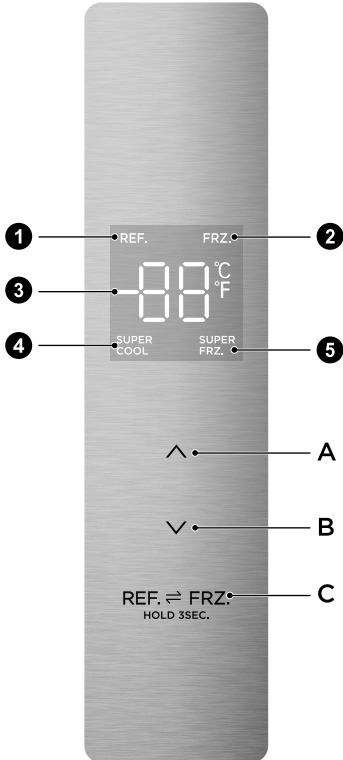
ATTENTION

Differences: Due to technical changes and different models, some of the illustrations in this manual may differ from your model.

OPERATION INSTRUCTIONS

Use and functions

Feature panel



Display

- 1 Refrigerating icon
- 2 Freezer icon
- 3 Temperature display icon
- 4 Super cool icon
- 5 Super freezing icon

Button

- A Temperature up button
- B Temperature down button
- C Fridge/Freezer switch button

ATTENTION

The actual control panel may differ from model to model.

All temperature icons shine within 3s after power on, for power on at the first time, the default set temperature is -18°C.

Fridge/Freezer switching

Press the button “**REF. ⇌ FRZ**” HOLD 3SEC. for 3 seconds to achieve **Fridge/Freezer** switch, the corresponding temperature icons shine.

Temperature settings

Each time click the “**▲**” or “**▼**”, the set temperature will rise 1°C or will drop 1°C. The temperature setting will take effect after the display panel is locked.

- > The setting range of refrigerator chamber is 2°C - 8°C.
- > The setting range of freezer chamber is -24°C - -16°C.

Super cooling mode

After the temperature of the refrigeration room is adjusted to 2°C, press the temperature down button “**▼**” to enter the super cooling mode.

Press the temperature up button “**▲**” to exit the super cooling mode or automatically exit the super cooling mode after 6h. After exiting the super cooling mode, the temperature of the refrigerator will automatically return to the temperature set before the super cooling mode.

Super freezing mode

After the temperature of the freezing chamber is adjusted to - 24 °C, press the temperature down button “**▼**” to enter the super freezing mode.

Press the temperature up button “**▲**” to exit the super freezing mode or automatically exit the super freezing mode after 24h. After exiting the super freezing mode, the freezing chamber temperature will automatically return to the temperature set before the super freezing mode.

Opening alarm control

If the door is not closed in two minutes, the buzzer will sound until the door is closed. Press any one button to stop the buzzer alarm.

Fault indication

The following warnings appearing on the display indicate corresponding faults of the refrigerator. Though the refrigerator may still have cold storage function with the following faults, the user shall contact a maintenance specialist for maintenance, so as to ensure optimized operation of the appliance.

Fault code	Fault Description
E2	Temperature sensor failure of Refrigerating / freezing chamber
E5	Deforst sensor detection circuit error
E6	Communication error
E7	Ambient temperature sensor error

Storing food

Freezer compartment

The freezer compartment is designated for the low-temperature freezing of food, long-term storage of frozen food, and for the production of ice cubes.

Pay attention to the star classifications (4 star, 2 star and 1 star) in the freezer compartment and the resulting storage periods for frozen food.

Do not put fresh and frozen food next to each other. The frozen food may thaw.

When freezing large amounts of fresh food (such as meat, fish or chopped meat), please divide them into several small pieces before putting in, so that they can be quickly frozen and pick up easily.

Abide by the storage times recommended by food manufacturers on the packages, there is no information on the packaging, food should not be stored frozen for longer than three months from the date of purchase.

When purchasing frozen food, make sure that it was frozen at a suitable temperature and that the packaging is not damaged.

Frozen food should be kept in suitable individual packages to ensure that adjacent food cannot be contaminated. Consume thawed and defrosted foods immediately, do not refreeze them.

In case of prolonged power failure or malfunction of the appliance, remove the stored frozen food and check whether they are still edible, then store them in a sufficiently cool place or in another appliance.

To defrost food, remove it from the freezer and let it defrost at room temperature or in the refrigerator. To defrost food quickly, you can use the defrost function on your microwave, for example.

If you only want to defrost part of a pack, remove the portion you need and immediately close the rest of the pack. In this way, you will avoid "freezer burn" and will reduce ice formation on the remaining foods.

Cooling compartment

To reduce moisture and subsequent ice build-up, never put liquid into the fridge compartment in unsealed containers. Frost tends to concentrate in the coolest parts of the evaporator. Storing uncovered liquids results in a more frequent need for defrosting.

Never put warm foods in the fridge compartment. These should first cool down at room temperature and then be placed so as to ensure adequate air circulation in the fridge compartment.

Foods or food containers should not touch the back wall of the fridge because they could freeze to the wall. Do not keep regularly opening the door of the refrigerator.

Meat and clean fish (packed in a package or plastic foil) can be placed in the fridge compartment, which can be used in 1-2 days.

Fruit and vegetables without packaging can be placed in the part designated for fresh fruit and vegetables

ATTENTION

Storage of too much food during operation after the initial connection to power may adversely affect the freezing effect of the refrigerator.

Storage times and temperature

Note: Overlong storage or storage at inappropriate freezing temperature may cause a quality loss or spoiled foods, which causes food waste, is inedible and may cause food poisoning. The minimum temperature in most cases should be -18°C or colder. Follow the maximum recommended storage times below:

- > Stew, ice cream, sausages, bread: 2-6 months.
- > Fish, shrimp, lamb, meat: 4-8 months.
- > Vegetables, fruits, poultry, beef: 6-12 months.

MAINTENANCE AND CLEANING



CAUTION

Disconnect the appliance from the electrical supply before undertaking any routine maintenance. Allow at least 5 minutes before restarting the appliance, as frequent starting may damage the compressor.

Hold the plug, not the cable, when unplugging the appliance.

Do not scrape off frost and ice with sharp objects. Do not use sprays, electric heaters like heater, hair dryer, steam cleaners or other sources of heat in order to avoid damage to the plastic parts.

Eliminate the dust on the back of the unit at least once in the year to avoid hazard by fire, as well as increased energy consumption.

Check the door gasket regularly to make sure there are no debris. Clean the door gasket with a soft cloth dampened with soapy water or diluted detergent.

The interior of the product should be cleaned regularly to avoid odor.

Use a soft cloth or sponge to clean the inside of the product, with two tablespoons of baking soda and a quart of warm water. Then rinse with water and wipe clean. After cleaning, open the door and let it dry naturally before turning on the power.

For areas that are difficult to clean in the product (such as narrow sandwiches, gaps or corners), it is recommended to wipe them regularly with a soft rag, soft brush, etc. and when necessary, combined with some auxiliary tools (such as thin sticks) to ensure no contaminants or bacterial accumulation in these areas.

Do not use soap, detergent, scrub powder, spray cleaner, etc., as these may cause odors in the interior of the product or contaminated food.

Wipe the outer surface of the product with a soft cloth dampened with soapy water, detergent, etc., and then wipe dry.

Do not use hard brushes, clean steel balls, wire brushes, abrasives (such as toothpastes), organic solvents (such as alcohol, acetone, Isoamyl acetate, etc.), boiling water, acid or alkaline items, which

may damage the fridge surface and interior. Boiling water and organic solvents such as benzene may deform or damage plastic parts.



Do not rinse directly with water or other liquids during cleaning to avoid short circuits or affect electrical insulation after immersion.

ATTENTION

The appliance shall run continuously once it is started. Generally, the operation of the appliance shall not be interrupted; otherwise the service life may be impaired.

Defrosting

Although this appliance automatically defrosts, a layer of frost may occur on the freezer compartment's interior walls if the freezer door is opened frequently or kept open too long. If the frost is too thick, choose a time when the supply of food stocks are low and proceed as follows:

1. Remove existing food and accessories baskets, unplug the appliance from the mains power and leave the doors open. Ventilate the room thoroughly to accelerate the thawing process.
2. When defrosting is completed, clean your freezer as described above.

CAUTION!

Don't use sharp objects to remove frost from the freezer. Only after the interior completely dry should the appliance be switched back on and plugged back into the mains socket.

TROUBLESHOOTING

The following simple issues can be handled by the user. Please call the after-sale service department if the issues are not solved.

Problem	Possible Causes	Solution
Not operate	<ul style="list-style-type: none"> The power supply is not turned on and the plug is not firmly inserted. Low voltage, power failure or part of the circuit tripped. 	<ul style="list-style-type: none"> Insert the power cord plug firmly. Check the power supply at home.
Fruits or vegetables are frozen	<ul style="list-style-type: none"> Has the food been placed at the back of the fridge? The area near the back wall is where the temperatures are coldest. Fruits or vegetables are stored in the Fresh/Chill zone. 	<ul style="list-style-type: none"> Not placing food which may freeze easily at the back of the fridge compartment. The Fresh/Chill zone is only for meat/fish.
Fridge/freezer is over-cooling	<ul style="list-style-type: none"> Temperature control is not set correctly. 	<ul style="list-style-type: none"> Set the temperature higher.
Compressor working for a long time	<ul style="list-style-type: none"> High ambient temperature causing long working time. Putting too much food in at one time. Food is put in before it has cooled down. Opening the door too often. The frost layer inside is too thick. 	<ul style="list-style-type: none"> This is normal. Do not put too much food in at one time. Wait until the food has cooled down before putting it in. Do not open the door too often. Need to defrost.
Door does not close properly	<ul style="list-style-type: none"> Door is stuck with objects. Too much food in. Door gasket deformed. 	<ul style="list-style-type: none"> Do not put in too much food. Place the appliance stably. Heat the door gasket, then cool it for restoration (with an electrical drier or hot water for heating).
Outer wall is hot	<ul style="list-style-type: none"> When the appliance is operating, heat is dissipated to the outside through the metal tubes inside the cabinet. Higher ambient temperatures in the summer cause the temperature of the outer wall to rise. 	<ul style="list-style-type: none"> Higher temperature on the outer wall is normal. Increase the heat dissipation space, or put the appliance in a ventilated and cool place.
Cross or vertical beams are hot	<ul style="list-style-type: none"> There are metal tubes inside the beams, and the heat released from the tubes prevents condensation. 	<ul style="list-style-type: none"> This is normal.
Odors	<ul style="list-style-type: none"> Spoiled food Food with strong odors The interior compartment is dirty. 	<ul style="list-style-type: none"> Clean and remove any spoiled food. Make sure strong smelling food is wrapped airtight. Clean the interior compartment.
The actual temperature differs from the set temperature	<ul style="list-style-type: none"> When warm food is put in, the temperature will rise temporarily. After setting a new temperature, it will take some time for the temperature in the compartment to reach the set temperature when the door is not opened. After the temperature stability, the actual temperatures at different locations within the compartment are different, with a deviation of about $\pm 3^{\circ}\text{C}$. 	<ul style="list-style-type: none"> This is normal. Wait for some time before testing the actual temperature.
Condensation forms on the outside	<ul style="list-style-type: none"> Condensation may form when the humidity in the room is high. 	<ul style="list-style-type: none"> This is normal. Wipe off the condensation using a dry cloth.

Problem	Possible Causes	Solution
Condensation forms inside the fridge and drawers	<ul style="list-style-type: none"> The fridge maintains a high humidity to keep vegetables and other food items fresh. Humidity is too high in the room and doors have been opened frequently. The door gasket are not tight. 	<ul style="list-style-type: none"> Wipe off the condensation using a dry cloth. Do not open doors as frequently or do not keep them open too long. Check the door gasket, clean or correct position.
Frost around the vents	<ul style="list-style-type: none"> Door is not closed properly. The door gasket are not tight. 	<ul style="list-style-type: none"> Make sure food does not block the door. Check the door gasket, clean or correct position.
Hard to open the door	<ul style="list-style-type: none"> The difference in air pressure between the inside and outside of the compartment may sometimes make it hard to open the freezer door. 	<ul style="list-style-type: none"> Wait a few moments, and then try to open the door slowly.
Not making ice cubes (Only models with ice maker)	<ul style="list-style-type: none"> The ice making function not turned on. The appliance is not being supplied with water. The water pipe has kinks in it. The water pipe connection is installed incorrectly. Water pressure is too low. 	<ul style="list-style-type: none"> Switch on the ice maker. Check whether the water supply is on. Straighten out the kinks. Check the water connection. Check the pressure of the water supply, or whether the filter is clogged.

Certain sounds can be heard during normal use of the refrigerator, which do not affect its correct operation.

Sounds, which can be easily prevented:

- > Noise caused by the appliance which is not level - adjust the position with the adjustable turn-in front feet. Alternatively, place pads made of soft material under the rear rollers, especially when the appliance is placed on tiles.
- > Touching the adjacent piece of furniture - move the refrigerator away.
- > Creaking of the drawers or shelves - take out and put back the drawer or shelf.
- > Sounds of clinking bottles - move bottles apart.

Sounds heard during normal use are mainly due to operation of the compressor (switching on) and cooling, system (thermal expansion and contraction of the radiator caused by flow of the cooling agent).

APPENDIX

Special for new European standard

The ordered parts in the following table can be acquired from Service provider channel

Ordered part	Provided by	Minimum time required for Provision
Thermostats	Professional maintenance personnel	At least 7 years after the last model is launched on the market
Temperature sensors	Professional maintenance personnel	At least 7 years after the last model is launched on the market
Printed circuit boards	Professional maintenance personnel	At least 7 years after the last model is launched on the market
Light sources	Professional maintenance personnel	At least 7 years after the last model is launched on the market
Door handles	Professional repairers and final users	At least 7 years after the last model is launched on the market
Door hinges	Professional repairers and final users	At least 7 years after the last model is launched on the market
Trays	Professional repairers and final users	At least 7 years after the last model is launched on the market
Baskets	Professional repairers and final users	At least 7 years after the last model is launched on the market
Door gaskets	Professional repairers and final users	At least 10 years after the last model is launched on the market

Dear customer

1. If you want to return or replace the product, please contact the store where you buy.
(Remember to bring the purchase invoice)
2. If your product breaks down which needs to repair, please contact after-sales service provider.



ATTENTION

The model information in the product database, as well as the model identifier, can be obtained through a weblink scanned by a QR code, if any, on the energy efficiency label of the product.

For more information about the energy efficiency of the appliance, visit <https://ec.europa.eu> and search using the model name.

The model name can be found on the rating label of the appliance.





Índice

Instrucciones importantes de seguridad	2
Protección medioambiental.....	5
Instrucciones de instalación	6
Reversibilidad de la puerta (opcional)	7
Instalación del tirador de la puerta.....	8
Nivelación de los pies.....	9
Cambio de la luz	9
Mover el aparato.....	9
Consejos para ahorrar energía.....	9
Descripción general del producto.....	10
Partes y funciones	10
Instrucciones de funcionamiento	11
Uso y funciones.....	11
Almacenamiento de alimentos.....	13
Mantenimiento y limpieza	14
Resolución de problemas	15
Apéndice	17
Especial para la nueva norma europea	17

Antes de encender el aparato por primera vez, lea los siguientes consejos de seguridad.

- > Este aparato está diseñado para usarse en el hogar y aplicaciones similares, tales como áreas de cocina del personal en tiendas, oficinas y otros entornos laborales; casas de campo y por los clientes de hoteles, moteles y otros entornos de tipo residencial; entornos como hostales, catering y aplicaciones similares no minoristas.
- > Este aparato no está diseñado para que lo usen personas (incluidos niños) con capacidades físicas, sensoriales o mentales reducidas, o con falta de experiencia y conocimientos, a menos que hayan sido supervisadas o instruidas acerca del uso del aparato por parte de la persona responsable de su seguridad.

Explicación de los términos y símbolos

	PELIGRO Este símbolo indica que existen peligros para la vida y la salud de las personas debido a los gases extremadamente inflamables.
	ADVERTENCIA La señal indica un riesgo de nivel medio que, si no se evita, puede provocar la muerte o una lesión grave.
	PRECAUCIÓN La señal indica un riesgo de nivel bajo, que si no se evita, puede provocar una lesión leve o moderada.
	ATENCIÓN La señal indica información importante (por ejemplo, daños a la propiedad), pero no peligro.

IMPORTANTE: Preste especial atención a los mensajes que contengan las palabras **PELIGRO**, **ADVERTENCIA** o **PRECAUCIÓN**. Estas palabras se utilizan para alertarle de un peligro potencial que puede causarle lesiones graves a usted y a otras personas. Las instrucciones le indicarán cómo reducir el riesgo de lesiones y le informarán de lo que puede ocurrir si no se siguen las instrucciones.

ATENCIÓN: Estas instrucciones de funcionamiento son de carácter general. Esto significa que ciertas funciones se aplican a su frigorífico/congelador, mientras que otras no.

Trabajamos constantemente en el desarrollo y la mejora de nuestros tipos y modelos de electrodomésticos. Por lo tanto, nos reservamos el derecho a realizar cambios en el diseño, el equipamiento y los accesorios de todos los tipos y modelos sin previo aviso.

Para dispositivos destinados a usarse a altitudes superiores a 2000 m, la altitud máxima para su uso debe estar indicado.

Guarda el Certificado de Garantía o la hoja de datos técnicos con las Instrucciones Manual durante la vida útil del electrodoméstico. Contiene datos técnicos importantes.

INSTRUCCIONES IMPORTANTES DE SEGURIDAD

LEA Y CONSERVE ESTAS INSTRUCCIONES!

ADVERTENCIA: Riesgo de incendio/material inflamable



El refrigerante y el material espumante de ciclopentano utilizados en el aparato son inflamables. Por lo tanto, cuando se deseché el aparato, se debe mantener alejado de cualquier fuente de calor y será recuperado por una empresa de recuperación especial con la cualificación correspondiente, además de ser eliminado por combustión, con el fin de evitar daños al medio ambiente o cualquier otro daño.



ADVERTENCIA

Seguridad general

- > Se debe supervisar a los niños para asegurarse de que no juegan con el aparato.
- > En caso de que se dañe el cable de alimentación, el fabricante, su agente de servicio o personas con una cualificación similar deben sustituirlo para evitar cualquier riesgo.
- > No guarde sustancias explosivas como latas de aerosoles con propulsores inflamables en este aparato.
- > Se debe desenchufar el aparato tras su uso y antes de realizar el mantenimiento del usuario del aparato.
- > **ADVERTENCIA:** Mantenga las ranuras de ventilación, situadas en la carcasa del aparato o en la estructura integrada, libres de obstáculos.
- > **ADVERTENCIA:** No utilice dispositivos mecánicos u otros medios para acelerar el proceso de descongelación, salvo aquellos recomendados por el fabricante.
- > **ADVERTENCIA:** No dañe el circuito del refrigerante.
- > **ADVERTENCIA:** No use aparatos eléctricos dentro de los compartimentos de almacenamiento de alimentos del aparato salvo que sean del tipo recomendado por el fabricante.
- > **ADVERTENCIA:** Abandone el refrigerador conforme a la normativa local respecto al uso de gas soplado inflamable y refrigerante.
- > **ADVERTENCIA:** Cuando coloque el aparato, asegúrese de que el cable de alimentación no queda atrapado o dañado.
- > **ADVERTENCIA:** No coloque múltiples salidas de tomas portátiles o alimentaciones portátiles en la parte posterior del aparato.
- > No use cables de extensión ni adaptadores sin toma de tierra (dos clavijas).
- > Para evitar riesgos debido a la inestabilidad local respecto a este debe fijarse de acuerdo con las instrucciones.
- > Se debe desconectar el refrigerador de la Fuente de alimentación eléctrica antes de intentar la instalación de accesorios. Asegúrese de que el cable de alimentación no quede atrapado por el frigorífico. No pise el cable de alimentación.
- > Para un aparato independiente: este aparato refrigerador no está diseñado para usarse como un aparato empotrado.



PRECAUCIÓN

Uso diario

- > No tire del cable de alimentación cuando desconecte el cable de alimentación del frigorífico. Agarre con fuerza el enchufe y extráigalo de la toma directamente.
- > Para asegurar un uso seguro, no dañe el cable de alimentación o use el mismo cuando presente daños o esté deteriorado.
- > Use una toma de alimentación dedicada y no debe compartir la toma de corriente con otros aparatos eléctricos.
- > El enchufe debe estar en contacto firme con la toma o de lo contrario se pueden producir incendios.
- > Asegúrese de que el electrodo a tierra de la toma de corriente está equipado con una línea a tierra fiable.
- > Apague la válvula del gas que se filtra y después abra las puertas y ventanas en caso de fuga de gas o de otros gases inflamables.
- > No desenchufe el frigorífico u otros aparatos eléctricos considerando que una chispa puede provocar un incendio.
- > No utilice aparatos eléctricos situados en la parte superior del electrodoméstico, a no ser que sean del tipo recomendado por el fabricante.
- > Los espacios entre las puertas del frigorífico y entre las puertas y la carcasa del frigorífico con pequeños; tenga cuidado en no poner las manos en esta zona para evitar pillarse los dedos. Cierre con suavidad la puerta del frigorífico para evitar que se caigan artículos.
- > No coja alimentos o recipientes con las manos húmedas en la cámara de congelación cuando el frigorífico esté en funcionamiento, en especial recipientes metálicos, para evitar congelaciones.
- > No permita que ningún niño entre o suba al frigorífico; en caso contrario se pueden provocar un ahogamiento o lesiones por caída del niño.
- > No coloque objetos pesados en

la parte superior del frigorífico considerando que los objetivos pueden caerse cuando abra o cierre la puerta y se pueden provocar lesiones accidentales.

- > No coloque artículos inflamables, explosivos, volátiles o altamente corrosivos en el refrigerador para evitar daños al producto o accidentes por fuego.
- > No coloque artículos inflamables cerca del refrigerador para evitar incendios.
- > El refrigerador está diseñado únicamente para el uso doméstico, como para el almacenamiento de alimentos; no debe usarse para otra finalidad, como el almacenamiento de sangre, fármacos o productos biológicos, etc.
- > No guarde cerveza, bebidas u otros fluidos que estén en botellas l en recipientes cerrados en la cámara de congelación del frigorífico; en caso contrario, las botellas o recipientes cerrados podrían rajarse debido a la congelación y provocar daños.



ADVERTENCIA

- > Conéctelo únicamente a agua potable. (Apto para fabricante de cubitos de hielo) (**)
- > Para evitar que los niños queden atrapados, las llaves deben mantenerse fuera del alcance de los niños y no en las proximidades del arcón congelador (o frigorífico) (apto para productos con cerradura).(**)

(): Esta propiedad varía dependiendo del modelo adquirido.**



ADVERTENCIA

Para la norma europea:

Este aparato puede ser utilizado por niños a partir de 8 años y por personas con capacidades físicas, sensoriales o mentales reducidas o con falta de experiencia y conocimientos, si han recibido supervisión o instrucciones sobre el uso del aparato de forma segura y comprenden los peligros que conlleva. Los niños no deben jugar con el aparato. Los niños no deben realizar ni la limpieza ni el mantenimiento del usuario sin supervisión.

Para evitar la contaminación de alimentos, respete las siguientes instrucciones:

- Abrir la puerta durante periodos prolongados de tiempo puede provocar un aumento significativo de la temperatura en los compartimentos del aparato.
- Limpie regularmente las superficies que puedan estar en contacto con los alimentos y sistemas de drenaje accesibles.
- Limpie los depósitos de agua si no se han usado durante 48 horas; haga circular el agua en el sistema conectado a una toma de agua si no se ha extraído agua durante 5 días. **(Nota 1)(*)**
- Guarde la carne y el pescado crudos en recipientes adecuados en el frigorífico de forma que no entren en contacto o goteen en otros alimentos.
- Los compartimentos de alimentos congelados de dos estrellas son aptos para guardar alimentos precongelados, guardar o hacer helados y hacer cubitos de hielo. **(Nota 2)(*)**
- Los compartimentos de 1, 2 y 3 estrellas no son adecuados para la congelación de alimentos frescos. **(nota 3)(*)**
- Para aparatos sin un compartimento de 4 estrellas este aparato no es apto para congelar alimentos. **(Nota 4)(*)**
- Si el aparato refrigerador se deja vacío durante periodos prolongados de tiempo, apague, descongele, limpie seque y deje la puerta abierta para evitar que se desarrolle moho dentro del aparato.

Nota 1, 2, 3, 4: Confirme si es aplicable según el tipo de compartimento de su producto.

(*): Esta propiedad varía dependiendo del modelo adquirido.



Símbolo «4 estrellas»: Compartimento congelador a -18 °C o más frío, y tiene la capacidad de congelar rápidamente una determinada cantidad de alimentos.



Símbolo «3 estrellas»: Compartimento congelador a -18 °C o más frío.



Símbolo «2 estrellas»: Compartimento congelador a -12 °C o más frío.



Símbolo «1 estrella»: Compartimento congelador con temperatura objetivo y condiciones de almacenamiento de -6 °C.



PRECAUCIÓN

Este producto no está recomendado para su uso con enchufes o interruptores generales con función ICFA/ICFT, ya que, de lo contrario, podrían producirse falsos disparos del disyuntor.

1. Cuando se produce un disparo del disyuntor, no supone un riesgo.
2. Si persisten los disparos, se recomienda sustituir los enchufes o el interruptor principal por uno sin función ICFA/ICFT.



ADVERTENCIA

Riesgo de atrapamiento infantil. Antes de tirar su viejo frigorífico o congelador:

- > Quite las puertas.
- > Deje las baldas en su lugar de forma que no niños no puedan subirse el interior con facilidad.



ADVERTENCIA

- > Un cable de alimentación dañado debe ser reemplazado por un electricista cualificado.
- > Los niños menores de tres años deben quedarse Claro salvo supervisión continua.

PROTECCIÓN MEDIOAMBIENTAL

Deshacerse de los aparatos eléctricos viejos de forma respetuosa con el medio ambiente



Este símbolo de un contenedor con ruedas tachado indica que los residuos de aparatos eléctricos y electrónicos (RAEE) deben eliminarse por separado del flujo de residuos urbanos.

Los productos eléctricos antiguos pueden contener sustancias peligrosas, por lo que la eliminación correcta de su aparato antiguo ayudará a evitar posibles consecuencias negativas para el medio ambiente y la salud humana. Su viejo aparato puede contener piezas reutilizables que podrían usarse para reparar otros productos y otros materiales valiosos que pueden reciclarse para conservar recursos limitados.

PRECAUCIÓN

El refrigerante y el material de espuma de ciclopentano usados para el refrigerador son inflamables. Por lo tanto, cuando se deseché el refrigerador, debe mantenerse alejado de cualquier fuente de fuego y ser recuperado por una empresa de recuperación especial con la cualificación correspondiente en lugar de eliminarse por medio de combustión para evitar daños al medioambiente o cualquier otro daño.

Información sobre el paquete



Los materiales de envasado del producto se fabrican a partir de materiales reciclables de acuerdo con nuestra Normativa Nacional de Medio Ambiente. No elimine los materiales de embalaje junto con los residuos domésticos o de otro tipo. Llévelos a los puntos de recogida de material de embalaje designados por las autoridades locales.

INSTRUCCIONES DE INSTALACIÓN

Antes del primer uso

Retire el embalaje exterior e interior, limpie bien el exterior con un paño suave y seco y el interior con un paño húmedo y tibio.

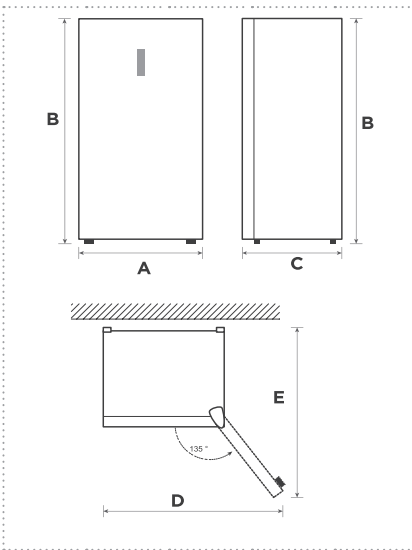
Evite colocar el armario en un hueco estrecho o cerca de cualquier fuente de calor, luz solar directa o humedad.

Deje que el aire circule libremente alrededor del aparato. Al instalar la unidad, asegúrese de dejar 10 cm de espacio libre a ambos lados, 10 cm en la parte trasera de la unidad y 30 cm en la parte superior.

Antes de conectar su frigorífico a la red eléctrica, compruebe que el voltaje indicado en la etiqueta de características de su aparato se corresponde con el voltaje de su vivienda. Un voltaje diferente podría dañar el aparato.

El aparato debe estar conectado a tierra. El fabricante no se hace responsable de los daños que puedan producirse como consecuencia de un uso sin conexión a tierra.

Diagrama de necesidades de espacio



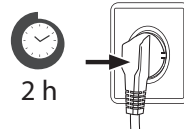
A	B	C	D	E
595	1850	644	1017	1025

Aviso: Todas las dimensiones están en mm

Conexión del aparato

Después de instalar el producto, déjelo reposar durante más de 2 horas antes de encenderlo, ya que, de lo contrario, disminuirá la capacidad de refrigeración o se dañará el producto.

Es necesario permitir la desconexión del aparato desde el suministro de red tras la instalación, a través de un enchufe o interruptor principal accesible.



Deje que el aparato funcione en vacío durante 24 horas para que el compartimento pueda enfriarse a la temperatura adecuada.

⚠ PRECAUCIÓN

El congelador vertical debe estar siempre enchufado a una toma de corriente eléctrica individual que tenga una tensión nominal que coincida con la placa de características. Al colocar el aparato, asegúrese de que el cable de alimentación no quede atrapado o dañado.

Temperatura ambiente

Dependiendo de la clase climática, este congelador está diseñado para ser utilizado en un rango de temperatura ambiente como el especificado en la siguiente tabla. El producto podría no funcionar adecuadamente a temperaturas fuera del rango específico. Encontrará la clase climática en la etiqueta del producto.

Clase climática	Temperatura ambiente
SN	De +10 °C a +32 °C
N	De +16 °C a +32 °C
ST	De +16 °C a +38 °C
T	De +16 °C a +43 °C

Si tiene alguna duda sobre la instalación, diríjase al vendedor, a nuestro servicio de atención al cliente o al Servicio Técnico Autorizado más cercano.

💡 ATENCIÓN

La potencia frigorífica y el consumo energético del frigorífico pueden verse afectados por la temperatura ambiente, la frecuencia con la que se abre la puerta y la ubicación del electrodoméstico. Se recomienda ajustar la configuración de la temperatura según convenga.

Reversibilidad de la puerta (opcional)

Según el lugar donde planea utilizar su refrigerador, puede resultarle más conveniente invertir la posición de la puerta.

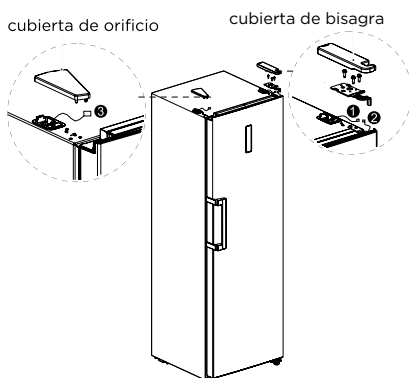
PRECAUCIÓN

To Para evitar lesiones personales o daños a la propiedad, recomendamos que alguien le ayude durante el proceso de cambio de sentido de apertura de la puerta..

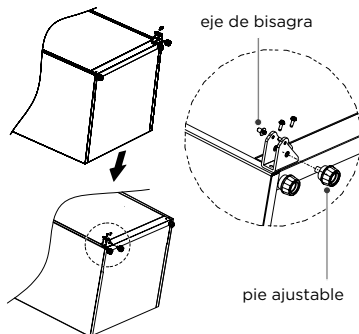
- > Asegúrese de que su refrigerador esté desenchufado y vacío.
- > Tenga a alguien disponible para ayudarlo en el proceso.
- > Guarde todas las piezas que retire para reutilizarlas más tarde.

PASO:

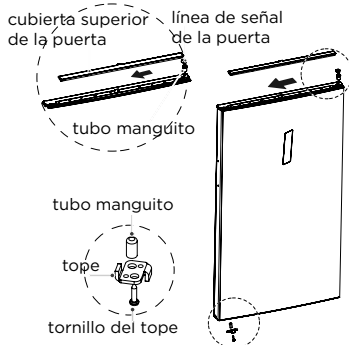
1. Apague el refrigerador y retire todos los objetos de las bandejas de la puerta.
2. Desmonte la tapa de la bisagra superior, los tornillos y la bisagra superior, y retire la tapa del orificio del otro lado. Desenchufe el conector de cableado en el lado derecho de la parte superior del refrigerador (conector de cableado ① ②).



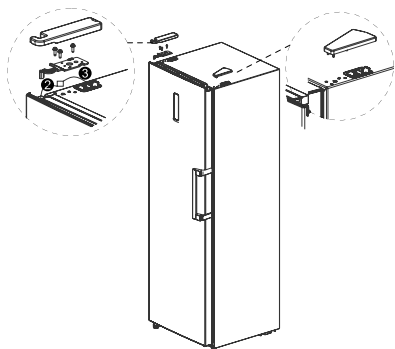
3. Desmonte la puerta y el conjunto de bisagra inferior derecha (eje de bisagra, pie ajustable y bisagra), desmonte el conjunto de bisagra inferior derecha, y monte el eje de bisagra y el pie ajustable en el otro lado de la bisagra; luego, monte todo el conjunto de bisagra en el otro lado del refrigerador.



4. Retire la cubierta superior de la puerta, instale el manguito de la bisagra superior y la línea de señal de la puerta al otro lado e instale la tapa superior de la puerta. Desmonte el tope de la puerta derecha, retire el tubo manguito de la parte inferior derecha de la puerta, inserte el tubo manguito en el orificio de la bisagra de la parte inferior izquierda de la puerta, saque el tope de la puerta izquierda de la bolsa de accesorios y móntelo en la parte inferior izquierda de la puerta; el tope de la puerta derecha puede reservarse para uso futuro.



5. Saque la bisagra superior izquierda y la cubierta de la bisagra superior izquierda del paquete de accesorios; Coloque la puerta sobre la bisagra inferior y monte la bisagra superior izquierda. Conecte el terminal ③ de la línea de señal con el terminal ② de la línea de señal, monte la cubierta de la bisagra superior y la cubierta de orificio.



● ATENCIÓN

Diferencias: Debido a cambios técnicos y diferentes modelos, algunas de las ilustraciones de este manual pueden diferir de su modelo.

Instalación del tirador de la puerta

Se deben tomar precauciones para evitar que la caída del tirador cause lesiones personales.

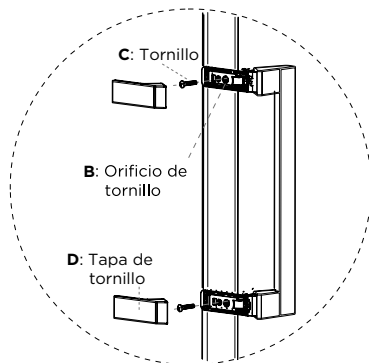
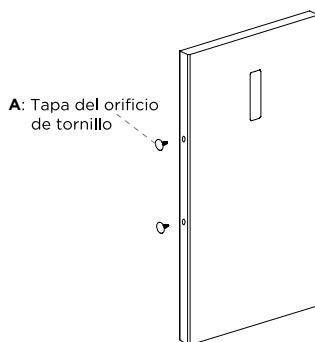
Pasos de montaje:

1. Retire las tapas de los orificios de los tornillos 'A' de la puerta y utilice un destornillador de cruz para fijar los tornillos 'C' en el orificio de tornillo 'B' firmemente.
2. Coloque las tapas de los orificios 'D' en el orificio de tornillo del tirador handle.
3. La operación inversa es para el desmontaje.

Lista de herramientas que debe proporcionar el usuario



Destornillador de cruz





Nivelación de los pies

Para evitar vibraciones, se debe nivelar el aparato.

Si es necesario, ajuste las patas de nivelación para compensar las irregularidades del suelo.

La parte delantera debe ser ligeramente más alta que la trasera para ayudar al cierre de la puerta.

Las patas de nivelación se pueden girar con facilidad inclinando ligeramente el mueble.

Gire las patas de nivelación en el sentido contrario a las agujas del reloj  para elevar la unidad y en el sentido de las agujas del reloj  para bajarla.

Cambio de la luz

Cualquier sustitución o mantenimiento de las lámparas LED debe ser realizado por el fabricante, su servicio técnico o una persona cualificada similar.

Este producto contiene una fuente de luz de clase de eficiencia energética (F).

Mover el aparato

1. Retire todos los objetos del aparato.
2. Desenchufe el cable de alimentación, inserte el enchufe y fíjelo en el gancho a tal efecto en la parte trasera o superior del aparato.
3. Fije con cinta adhesiva las piezas como las baldas y la puerta para evitar que se caigan al mover el aparato.
4. Mueva el aparato usando dos o más personas y con cuidado. Cuando transporte el aparato una larga distancia, mantenga el aparato en posición vertical..

ATENCIÓN

Después de conectar el cable de alimentación (o el enchufe) a la toma, espere 2 o 3 horas antes de introducir los alimentos en el aparato. Si introduce la comida antes de que el aparato se haya enfriado por completo, los alimentos se pueden estropear.

Consejos para ahorrar energía

No coloque el aparato cerca de cocinas, radiadores u otras fuentes de calor. Si la temperatura ambiente es alta, el compresor funcionará con más frecuencia y durante más tiempo, lo que aumentará el consumo de energía.

Compruebe que haya suficiente ventilación en la base del aparato, en los laterales y en la parte trasera del mismo.

Tenga en cuenta también las dimensiones de los espacios en el capítulo «Instalación».

La disposición de cajones, estantes y bandejas que se muestra en la descripción general del producto ofrece el uso más eficiente de la energía y, por tanto, debe conservarse en la medida de lo posible.

Para obtener un espacio de almacenamiento mayor (por ejemplo, para productos refrigerados/congelados de gran tamaño), se pueden retirar los cajones y estantes centrales. Los cajones y estantes superiores e inferiores deben retirarse en último lugar si es necesario.

Un compartimento del frigorífico / congelador llenado de forma uniforme contribuye a un uso óptimo de la energía.

Deje que los alimentos calientes se enfríen antes de meterlos en el compartimento frigorífico/congelador. Los alimentos que ya se han enfriado aumentan la eficiencia energética.

Deje que los alimentos se descongelen en el compartimento del frigorífico. El frío de los alimentos congelados reduce el consumo energético del compartimento del frigorífico y aumenta la eficiencia energética.

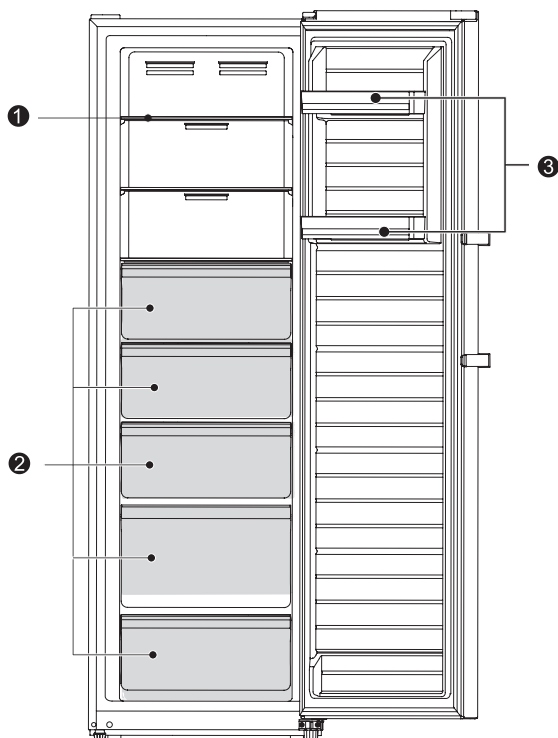
Abra la puerta solo el tiempo necesario para para minimizar la pérdida de frío. Abrir la puerta brevemente y cerrarla correctamente reduce el consumo energético.

Ajustar la temperatura no más fría de lo necesario contribuye a un uso óptimo de la energía.

Las juntas de las puertas de su aparato deben mantenerse perfectamente intactas para que las puertas cierren bien y no aumente innecesariamente el consumo energético.

DESCRIPCIÓN GENERAL DEL PRODUCTO

Partes y funciones



- 1 Estante
2 Cajón
3 Bandeja de puerta

- > Para un uso más eficiente de la energía, mantenga todos los elementos internos, como bandejas, cajones y estantes, en la posición suministrada por el fabricante.
- > Este aparato de refrigeración debe instalarse de forma independiente y no puede utilizarse como empotrable. De lo contrario, se producirán problemas como la reducción del rendimiento y la vida útil del aparato. Y el fabricante no proporciona la garantía básica del aparato

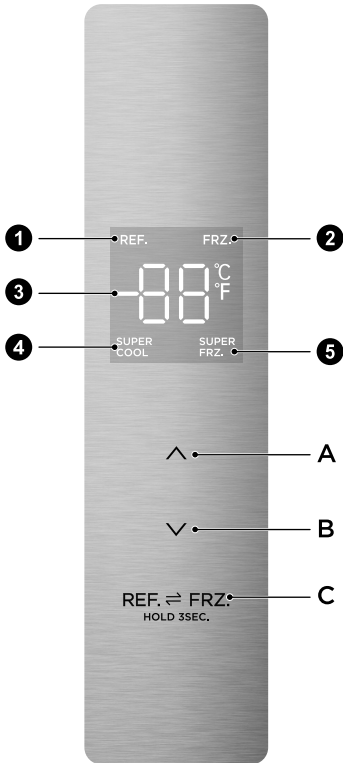
ATENCIÓN

Diferencias: Debido a cambios técnicos y a los diferentes modelos, algunas de las ilustraciones de este manual pueden diferir de su modelo.

INSTRUCCIONES DE FUNCIONAMIENTO

Uso y funciones

Panel de características



Pantalla

- 1 Icono de refrigeración
- 2 Icono de congelador
- 3 Icono de visualización de temperatura
- 4 Icono de súper enfriamiento
- 5 Icono de súper congelación

Botón

- A Botón de aumento de temperatura
- B Botón de disminución de temperatura
- C Botón de cambio Frigorífico / Congelador

ATENCIÓN

El panel de control real puede diferir de modelo a modelo.

Todos los iconos de temperatura se iluminan durante 3 s después de encender, y al encender por primera vez, la temperatura predeterminada es -18 °C.

Cambio entre Frigorífico / Congelador

Pulse el botón “**REF. \rightleftharpoons FRZ**” durante 3 segundos para cambiar entre **Fridge/Freezer** los iconos de temperatura correspondientes se iluminan.

Ajustes de temperatura

Cada vez que pulse “**▲**” o “**▼**”, la temperatura establecida aumentará 1 °C o disminuirá 1 °C El ajuste de temperatura se aplicará después de bloquear el panel de visualización.

- > El rango de ajuste de la cámara del frigorífico es de 2 °C - 8 °C.
- > El rango de ajuste de la cámara del congelador es de -24 °C a -16 °C.

Modo de superenfriamiento

Después de ajustar la temperatura del compartimento de refrigeración a 2 °C, pulse el botón de disminución de temperatura “**▼**” para activar el modo de súper enfriamiento.

Pulse el botón de aumento de temperatura “**▲**” para salir del modo de súper enfriamiento o saldrá automáticamente después de 6 h. Al salir del modo de súper enfriamiento, la temperatura del frigorífico volverá automáticamente a la temperatura establecida antes del modo de súper enfriamiento.

Modo de súper congelación

Después de ajustar la temperatura del compartimento de congelación a -24 °C, pulse el botón de disminución de temperatura “**▼**” para activar el modo de súper congelación.

Pulse el botón de aumento de temperatura “**▲**” para salir del modo de súper congelación o saldrá automáticamente después de 24 h. Al salir del modo de súper congelación, la temperatura del compartimento de congelación volverá automáticamente a la temperatura establecida antes del modo de súper.

Control de alarma de apertura

Si la puerta no se cierra en dos minutos, el avisador sonará hasta que la puerta se cierre. Pulse cualquier botón para detener la alarma del zumbador.

Indicación de fallo

Las siguientes advertencias que aparecen en la pantalla indican fallos correspondientes del frigorífico. Aunque el frigorífico puede seguir funcionando con almacenamiento en frío en caso de los siguientes fallos, el usuario debe contactar con un especialista en mantenimiento para su reparación, a fin de garantizar el funcionamiento óptimo del aparato.

Código de fallo	Descripción del fallo
E2	Fallo del sensor de temperatura de la cámara de refrigeración/congelación
E5	Error en el circuito de detección del sensor de desescarche
E6	Error de comunicación
E7	Error del sensor de temperatura ambiente

Almacenamiento de alimentos

Compartimento del congelador

El compartimento del congelador está destinado a la congelación a baja temperatura de alimentos, al almacenamiento a largo plazo de alimentos congelados y a la producción de hielo.

No coloque alimentos frescos y congelados uno al lado del otro. Los alimentos congelados pueden descongelarse.

Cuando congele grandes cantidades de alimentos frescos (como carne, pescado o carne picada), divídalos en varios trozos pequeños antes de introducirlos, para poder congelarlos rápidamente y recogerlos con facilidad.

Respete los tiempos de conservación recomendados por los fabricantes de alimentos en los envases, no hay información en los envases, los alimentos no deben conservarse congelados durante más de tres meses desde la fecha de compra.

Cuando compre alimentos congelados, asegúrese de que se han congelado a una temperatura adecuada y de que el envase no está dañado.

Los alimentos congelados deben conservarse en envases individuales adecuados para garantizar que los alimentos adyacentes no puedan contaminarse. Consuma inmediatamente los alimentos descongelados, no los vuelva a congelar.

En caso de apagón prolongado o mal funcionamiento del aparato, saque los alimentos congelados almacenados y compruebe si siguen siendo comestibles, después guárdelos en un lugar suficientemente fresco o en otro aparato.

Para descongelar alimentos, sáquelos del congelador y déjelos descongelar a temperatura ambiente o en el frigorífico. Para descongelar alimentos rápidamente, puede utilizar la función de descongelación del microondas, por ejemplo.

Si solo desea descongelar parte de un paquete, retire la porción que necesita y cierre inmediatamente el resto del paquete. De esta manera, evitará la "quemadura por congelación" y reducirá la formación de hielo en los alimentos restantes.

Compartimento de refrigeración

Para reducir la humedad y la formación posterior de hielo, nunca introduzca líquidos en el frigorífico. Compartimento en recipientes sin cerrar. La escarcha tiende a concentrarse en las partes más frías del evaporador. Guardar líquidos sin tapar provoca una necesidad más frecuente de descongelación.

Nunca introduzca alimentos calientes en el compartimento del frigorífico. Estos deben enfriarse primero a temperatura ambiente y luego colocarse de manera que se asegure una adecuada circulación de aire en el compartimento.

Los alimentos o los recipientes de alimentos no deben tocar la pared trasera del frigorífico porque podrían congelarse en la pared. No abra la puerta del frigorífico de forma regular o repetida.

La carne y el pescado limpio (envasados en un paquete o en film plástico) pueden colocarse en el compartimento del frigorífico, y deben consumirse en 1-2.

Las frutas y verduras sin envasar pueden colocarse en la zona designada para frutas y verduras frescas.

ATENCIÓN

El almacenamiento de demasiados alimentos durante el funcionamiento tras conectar el aparato por primera vez a la corriente puede afectar negativamente el efecto de congelación.

Tiempos y temperatura de almacenamiento

Nota: el almacenamiento prolongado o a una temperatura de congelación inadecuada puede causar una pérdida de calidad o alimentos en mal estado, lo que provoca el desperdicio de alimentos, no son comestibles y pueden causar intoxicaciones alimentarias. La temperatura mínima en la mayoría de los casos debe ser de -18 °C o más fría. Siga los tiempos máximos de conservación recomendados a continuación:

- > Estofado, helado, salchichas, pan: 2 - 6 meses.
- > Pescado, gambas, cordero, carne: 4 - 8 meses.
- > Verduras, frutas, aves, ternera: 6 - 12 meses.

MANTENIMIENTO Y LIMPIEZA



PRECAUCIÓN

LIMPIEZA

El polvo detrás del congelador vertical y en el suelo debe limpiarse para mejorar el efecto de refrigeración y el ahorro de energía.

Revise regularmente la junta de la puerta para asegurarse de que no haya residuos. Limpie la junta de la puerta con un paño suave humedecido con agua jabonosa o detergente diluido.

El interior del congelador vertical debe limpiarse regularmente para evitar malos olores.

Apague el aparato antes de limpiarlo; retire toda la comida, las cestas, recipientes, etc. Utilice un paño suave o una esponja para limpiar el interior del congelador vertical, con dos cucharadas de bicarbonato de sodio disueltas en un litro de agua tibia. A continuación, aclare con agua y limpie con un paño. Tras la limpieza, abra la puerta y deje que se seque de forma natural antes de encenderlo.

Para las áreas de difícil limpieza en el congelador vertical (como huecos o esquinas), se recomienda limpiarlas regularmente con un paño suave, un cepillo suave, etc., y cuando sea necesario, utilizar algunas herramientas auxiliares (como palillos delgados) para asegurar que no se acumule ningún contaminante o bacteria en estas zonas.

No utilice jabón, detergente, polvo abrasivo, limpiador en spray, etc., ya que estos pueden causar olores en el interior del congelador vertical o contaminar los alimentos.

Limpie las cestas con un paño suave humedecido con agua jabonosa o detergente diluido. Séquelo con un paño suave o séquelo de forma natural.

Limpie la superficie exterior del congelador vertical con un paño suave humedecido con agua jabonosa, detergente, etc., y luego séquelo.

No utilice cepillos duros, estropajos, cepillos de alambre, abrasivos (como la pasta de dientes), disolventes orgánicos (como alcohol, acetona, acetato de isoamilo, etc.), agua hirviendo, ni productos ácidos o alcalinos, ya que pueden dañar la superficie y el interior del congelador vertical. El agua hirviendo y los disolventes orgánicos como el benceno pueden deformar o dañar las piezas de plástico.

No enjuague directamente el aparato con agua ni otros líquidos durante la limpieza para evitar cortocircuitos o que el aislamiento eléctrico se vea afectado tras la inmersión.



PRECAUCIÓN

Desenchufe el congelador vertical para descongelar y limpiar.

Desescarche

Aunque este aparato se desescarcha automáticamente, puede formarse una capa de escarcha en las paredes interiores del compartimento del congelador si la puerta del congelador se abre con frecuencia o se deja abierta demasiado tiempo. Si la escarcha es demasiado gruesa, elija un momento en el que las reservas de alimentos sean bajas y proceda de:

1. Retire los alimentos existentes y las cestas de accesorios, desenchufe el aparato de la red eléctrica y deje las puertas abiertas. Ventile bien la habitación para acelerar el proceso de descongelación.
2. Cuando se haya completado la descongelación, limpie su congelador como se ha descrito anteriormente.



PRECAUCIÓN

No utilice objetos afilados para quitar la escarcha del congelador. Solo cuando el interior esté completamente seco se debe volver a encender el aparato y enchufarlo a la toma de corriente.

RESOLUCIÓN DE PROBLEMAS

El usuario puede resolver los siguientes problemas sencillos. Llame al departamento de servicio posventa si los problemas no se resuelven.

Problema	Posibles causas	Solución
No funciona	<ul style="list-style-type: none"> La fuente de alimentación no está encendida y el enchufe no está firmemente insertado. Baja tensión, fallo de alimentación o parte del circuito disparado. 	<ul style="list-style-type: none"> Inserte firmemente el enchufe del cable de alimentación. Compruebe el suministro eléctrico en casa.
La luz no se enciende	<ul style="list-style-type: none"> El aparato no está encendido. La lámpara está rota. 	<ul style="list-style-type: none"> Desenchufe y vuelva a enchufar el cable de alimentación. Reemplace la lámpara por una nueva.
Las frutas o verduras están congeladas	<ul style="list-style-type: none"> ¿Se ha colocado la comida en la parte trasera del frigorífico? El área cerca de la pared trasera es donde las temperaturas son más frías. Las frutas o verduras se almacenan en la zona Fresco/Frío. 	<ul style="list-style-type: none"> No colocar alimentos que puedan congelarse fácilmente en la parte trasera del compartimento del frigorífico. La zona Fresco/Frío es solo para carne/pescado.
El frigorífico/ congelador está sobreenfriando	<ul style="list-style-type: none"> El control de temperatura no está ajustado correctamente. 	<ul style="list-style-type: none"> Suba la temperatura.
El compresor funciona durante mucho tiempo	<ul style="list-style-type: none"> La temperatura ambiente alta provoca un tiempo de funcionamiento prolongado. Poner demasiada comida a la vez. Los alimentos se introducen antes de que se haya enfriado. Abrir la puerta demasiado a menudo. La capa de escarcha interior es demasiado gruesa. 	<ul style="list-style-type: none"> Esto es normal. No ponga demasiada comida a la vez. Espere hasta que los alimentos se hayan enfriado antes de introducirlos. No abra la puerta demasiado a menudo. Necesita descongelar.
La puerta no cierra correctamente	<ul style="list-style-type: none"> La puerta está atascada con objetos. Demasiada comida dentro. Junta de la puerta deformada. 	<ul style="list-style-type: none"> No introduzca demasiada comida. Coloque el aparato de forma estable. Caliente la junta de la puerta, luego enfríela para restaurarla (con un secador eléctrico o agua caliente para calentar).
La pared exterior está caliente	<ul style="list-style-type: none"> Cuando el aparato está en funcionamiento, el calor se disipa al exterior a través de los tubos metálicos dentro del aparato. Las temperaturas ambiente más altas en verano hacen que la temperatura de la pared exterior aumente. 	<ul style="list-style-type: none"> Una temperatura más alta en la pared exterior es normal. Aumente el espacio de disipación de calor o coloque el electrodoméstico en un lugar ventilado y fresco.
Las vigas transversales o verticales están calientes	<ul style="list-style-type: none"> Hay tubos de metal dentro de las vigas, y el calor liberado de los tubos evita la condensación. 	<ul style="list-style-type: none"> Esto es normal.
Olores	<ul style="list-style-type: none"> Alimentos en mal estado Alimentos con olores fuertes El compartimento interior está sucio. 	<ul style="list-style-type: none"> Limpie y retire cualquier alimento en mal estado. Asegúrese de que los alimentos con olor fuerte estén envueltos herméticamente. Limpie el compartimento interior.

Problema	Posibles causas	Solución
La temperatura real difiere de la temperatura establecida	<ul style="list-style-type: none"> • Cuando se introduce comida caliente, la temperatura aumentará temporalmente. • Después de establecer una nueva temperatura, tomará algún tiempo para que la temperatura en el compartimento alcance la temperatura establecida cuando la puerta no esté abierta. • Después de que la temperatura se estabilice, las temperaturas reales en diferentes ubicaciones dentro del compartimento son diferentes, con una desviación de aproximadamente ± 3 °C. 	<ul style="list-style-type: none"> • Esto es normal. • Espere un tiempo antes de comprobar la temperatura real.
Se forma condensación en el exterior	<ul style="list-style-type: none"> • Puede formarse condensación cuando la humedad de la habitación es alta. 	<ul style="list-style-type: none"> • Esto es normal. Limpie la condensación con un paño seco.
Se forma condensación dentro del frigorífico y los cajones	<ul style="list-style-type: none"> • El frigorífico mantiene una alta humedad para mantener frescas las verduras y otros alimentos. • La humedad es demasiado alta en la habitación y las puertas se han abierto con frecuencia. • Las juntas de la puerta no están bien ajustadas. 	<ul style="list-style-type: none"> • Limpie la condensación con un paño seco. • No abra la puerta con frecuencia ni la mantenga abierta demasiado tiempo. • Compruebe la junta de la puerta, limpie o corrija la posición.
Escarcha alrededor de las rejillas de ventilación	<ul style="list-style-type: none"> • La puerta no está cerrada correctamente. • Las juntas de la puerta no están bien ajustadas. 	<ul style="list-style-type: none"> • Asegúrese de que los alimentos no bloqueen la puerta. • Compruebe la junta de la puerta, limpie o corrija la posición.
Es difícil abrir la puerta	<ul style="list-style-type: none"> • La diferencia de presión de aire entre el interior y el exterior del compartimento puede dificultar, en ocasiones, la apertura de la puerta del congelador. 	<ul style="list-style-type: none"> • Espere unos momentos y luego intente abrir la puerta lentamente.

Durante el uso normal del frigorífico se pueden oír ciertos ruidos que no afectan a su correcto funcionamiento.

Sonidos, que se pueden prevenir fácilmente:

- > Ruido causado por el electrodoméstico no nivelado: ajuste la posición con los pies delanteros ajustables. De otra manera, coloque almohadillas de material blando debajo de los rodillos traseros, especialmente cuando el aparato se coloca sobre baldosas.
- > Contacto con el mueble adyacente: aleje el frigorífico.
- > Crujido de los cajones o estantes: saque y vuelva a colocar el cajón o estante.
- > Sonidos de botellas que tintinean: separe las botellas.

Los sonidos que se escuchan durante el uso normal se deben principalmente al funcionamiento del compresor (encendido) y al sistema de enfriamiento (expansión y contracción térmica del radiador causada por el flujo del agente refrigerante).

APÉNDICE

Especial para la nueva norma europea

Las piezas solicitadas que se incluyen en la siguiente tabla se pueden adquirir a través del canal del proveedor de servicios

Pieza pedida	Suministrada por	Tiempo mínimo necesario de suministro
Termostatos	Personal de mantenimiento profesional	Al menos 7 años después de que se haya lanzado al mercado el último modelo
Sensores de temperatura	Personal de mantenimiento profesional	Al menos 7 años después de que se haya lanzado al mercado el último modelo
Placas de circuito impreso	Personal de mantenimiento profesional	Al menos 7 años después de que se haya lanzado al mercado el último modelo
Fuentes de luz	Personal de mantenimiento profesional	Al menos 7 años después de que se haya lanzado al mercado el último modelo
Pomos de puerta	Reparadores profesionales y usuarios finales	Al menos 7 años después de que se haya lanzado al mercado el último modelo
Bisagras de puerta	Reparadores profesionales y usuarios finales	Al menos 7 años después de que se haya lanzado al mercado el último modelo
Bandejas	Reparadores profesionales y usuarios finales	Al menos 7 años después de que se haya lanzado al mercado el último modelo
Cestas	Reparadores profesionales y usuarios finales	Al menos 7 años después de que se haya lanzado al mercado el último modelo
Juntas de puerta	Reparadores profesionales y usuarios finales	Al menos 10 años después de que se haya lanzado al mercado el último modelo

Estimado/-a cliente

1. Si desea devolver o sustituir el producto, póngase en contacto con el establecimiento donde lo compró.

(Recuerde traer la factura de compra)

2. Si su producto se avería y necesita reparación, póngase en contacto con el proveedor de servicio posventa.



ATENCIÓN

La información del modelo incluida en la base de datos del producto, así como el identificador del modelo, se puede obtener a través de un enlace web al que se accede escaneando un código QR, que figurará, en su caso, en la etiqueta de eficiencia energética del producto.

Para obtener más información sobre la eficiencia energética del aparato, visite <https://ec.europa.eu> y busque utilizando el nombre del modelo.

El nombre del modelo se puede encontrar en la etiqueta de clasificación del aparato.





Table des matières

Consignes importantes en matière de sécurité	2
Protection de l'environnement	5
instructions d'installation	6
Inversion des portes.....	7
Installation de la poignée de porte	8
Pieds réglables	9
Remplacement de l'ampoule	9
Déplacement de l'appareil	9
Conseils pour l'économie d'énergie.....	9
Product overview	10
Parts and functions	10
Instructions d'utilisation	11
Utilisation et fonctions.....	11
Stockage des aliments.....	13
Maintenance et nettoyage.....	14
Dépannage.....	15
Annexe	17
Spécial pour la nouvelle norme européenne	17

Avant de mettre l'appareil en marche pour la première fois, lisez les consignes de sécurité suivantes !

- > Cet appareil est destiné à être utilisé à la maison et dans des zones de cuisine du personnel dans les magasins, les bureaux et autres environnements de travail ; les fermes et par les clients dans les hôtels, les motels et autres environnements de type résidentiel ; les environnements de type chambres d'hôtes ; la restauration et dans des applications non commerciale similaires.
- > Cet appareil ne doit pas être utilisé par des personnes (y compris les enfants) dont les capacités physiques, sensorielles ou mentales sont réduites, ou qui manquent d'expérience et de connaissances, à moins qu'elles ne soient supervisées ou n'aient reçu des instructions concernant l'utilisation des appareils par une personne responsable de leur sécurité.

Explication des termes/symboles

	DANGER Ce symbole indique qu'il y a des dangers pour la vie et la santé des personnes en raison de la présence d'un gaz extrêmement inflammable.
	AVERTISSEMENT Le mot-clé indique un danger d'un niveau de risque moyen qui, s'il n'est pas évité, peut entraîner la mort ou des blessures graves.
	MISE EN GARDE Le mot-clé indique un danger d'un faible niveau de risque qui, s'il n'est pas évité, peut entraîner des blessures légères ou modérées.
	ATTENTION Le mot-clé indique des informations importantes (par ex. dommages matériels), mais pas un danger.

IMPORTANT : Faites particulièrement attention aux messages qui contiennent les mots **DANGER, AVERTISSEMENT** ou **MISE EN GARDE**. Ces mots sont utilisés pour vous alerter d'un danger potentiel qui peut gravement vous blesser, vous et d'autres personnes. Les consignes vous indiqueront comment minimiser les risques de blessure et vous informeront de ce qui peut arriver si les consignes ne sont pas suivies.

ATTENTION : Ces instructions d'utilisation sont d'ordre général. Cela signifie que certaines fonctions s'appliquent à votre réfrigérateur/congélateur, tandis que d'autres non.

Nous travaillons constamment au développement et à l'amélioration continus de nos types et modèles d'appareils. Par conséquent, nous nous réservons le droit d'apporter des modifications à la conception, à l'équipement et aux accessoires de tous les types et modèles sans préavis.

Pour les appareils destinés à être utilisés à des altitudes supérieures à 2000 m, l'altitude maximale pour l'utilisation doit être indiquée.

Conservez le certificat de garantie ou la fiche de données techniques avec les instructions Manuel pendant la durée de vie de l'appareil. Il contient des données techniques importantes.

CONSIGNES IMPORTANTES EN MATIÈRE DE SÉCURITÉ

LISEZ ET CONSERVEZ CES CONSIGNES !

AVERTISSEMENT : Risques d'incendie / matériau inflammable



Le réfrigérant et le matériau moussant au cyclopentane utilisés pour l'appareil sont inflammables. Par conséquent, lorsque l'appareil est mis au rebut, il doit être tenu à l'écart de toute source d'incendie et être récupéré par une entreprise de récupération spéciale ayant les qualifications correspondantes plutôt que d'être éliminé par combustion, afin d'éviter tout dommage à l'environnement ou tout autre préjudice



AVERTISSEMENT

Sécurité générale

- > Il est recommandé de surveiller les enfants pour s'assurer qu'ils ne jouent pas avec l'appareil.
- > Si le cordon d'alimentation est endommagé, il doit être remplacé par le fabricant, son agent de service ou des professionnels agréés afin d'éviter tout danger.
- > Ne stockez pas de substances explosives telles que des bombes aérosol contenant un gaz propulseur inflammable dans cet appareil.
- > L'appareil doit être débranché après utilisation et avant toute opération d'entretien de l'appareil.
- > **AVERTISSEMENT** : Veillez à ce que les ouvertures de ventilation, dans l'enceinte de l'appareil ou dans la structure intégrée, ne soient pas obstruées.
- > **AVERTISSEMENT** : N'utilisez pas d'appareils mécaniques ou d'autres moyens pour accélérer le processus de dégivrage, autres que ceux recommandés par le fabricant.
- > **AVERTISSEMENT** : N'endommagez pas le circuit de réfrigérant.
- > **AVERTISSEMENT** : N'utilisez pas d'appareils électriques à l'intérieur des compartiments de stockage d'aliments de l'appareil, sauf s'ils sont du type recommandé par le fabricant.
- > **AVERTISSEMENT** : Veuillez mettre le réfrigérateur au rebut conformément à la réglementation locale car il utilise un gaz de soufflage et un réfrigérant inflammables.
- > **AVERTISSEMENT** : Lorsque vous positionnez l'appareil, assurez-vous que le cordon d'alimentation ne soit pas coincé ni endommagé.
- > **AVERTISSEMENT** : Ne placez pas de prises de courant multiples ou de blocs d'alimentation portables à l'arrière de l'appareil.
- > N'utilisez pas de rallonges ni d'adaptateurs non mis à la terre (à deux broches).
- > Pour éviter un danger dû à l'instabilité de l'appareil, il doit être fixé conformément aux instructions.
- > Le réfrigérateur doit être débranché de la source d'alimentation électrique avant de tenter l'installation d'un accessoire. Assurez-vous que le câble d'alimentation ne soit pas coincé par le réfrigérateur. Ne marchez pas sur le câble d'alimentation.
- > Pour un appareil autonome : cet appareil de réfrigération ne doit pas être encastré.



MISE EN GARDE

Utilisation quotidienne

- > Ne tirez pas sur le cordon d'alimentation lorsque vous débranchez la prise de courant du réfrigérateur. Veuillez saisir fermement la fiche et la retirer de la prise.
- > Pour garantir une utilisation sûre, n'endommagez pas le cordon d'alimentation et n'utilisez pas le cordon d'alimentation s'il est endommagé ou usé.
- > Veuillez utiliser une prise de courant dédiée qui ne doit pas être partagée avec d'autres appareils électriques.
- > La fiche d'alimentation doit être fermement en contact avec la prise, sinon un incendie pourrait se déclarer.
- > Veuillez vous assurer que l'électrode de mise à la terre de la prise de courant soit équipée d'une ligne de mise à la terre fiable.
- > Veuillez couper la vanne du gaz qui fuit, puis ouvrez les portes et les fenêtres en cas de fuite de gaz et d'autres gaz inflammables.
- > Ne débranchez pas le réfrigérateur ni d'autres appareils électriques, car une simple étincelle peut provoquer un incendie.
- > N'utilisez pas d'appareils électriques au sommet de l'appareil, sauf s'ils sont du type recommandé par le fabricant.
- > Les espaces entre les portes du réfrigérateur et entre les portes et le corps du réfrigérateur sont petits, veillez à ne pas mettre votre main dans ces zones pour éviter de vous pincer les doigts. Veuillez être délicat lorsque vous fermez la porte du réfrigérateur pour éviter de faire tomber des articles.
- > Ne prenez pas d'aliments ou de récipients avec des mains mouillées dans le compartiment congélateur, lorsque le réfrigérateur est en marche, en particulier les récipients métalliques, afin d'éviter les engelures.
- > Ne laissez aucun enfant entrer dans le réfrigérateur ou y grimper ; sinon ils pourraient suffoquer ou se blesser en tombant.
- > Ne placez pas d'objet lourd sur le dessus du réfrigérateur étant donné que des objets pourraient tomber lors de la fermeture ou de l'ouverture de la porte, et des blessures accidentelles pourraient s'en résulter.
- > Ne mettez pas d'articles inflammables, explosifs, volatils et hautement corrosifs dans le réfrigérateur pour éviter d'endommager le produit ou de provoquer des incendies.
- > Ne placez pas d'articles inflammables près du réfrigérateur pour éviter les incendies.
- > Le réfrigérateur est destiné à un usage domestique, tel que le stockage d'aliments ; il ne doit pas être utilisé à d'autres fins, telles que le stockage de sang, de médicaments ou de produits biologiques, etc.
- > Ne stockez pas de bière, de boisson ou d'autres liquides contenus dans des bouteilles ou des récipients fermés dans le compartiment de congélation du réfrigérateur ; sinon, les bouteilles ou les récipients fermés pourraient se fissurer sous l'effet du gel et causer des dommages.



AVERTISSEMENT

- > Ne raccordez l'arrivée d'eau qu'à une eau potable. (Convient pour la machine à glaçons)(*)
- > Pour éviter que les enfants ne soient piégés, les clés doivent être tenues hors de leur portée et non à proximité du congélateur coffre (ou du réfrigérateur) (convient aux produits avec serrures). (*)

(*) : Cette fonction varie selon le modèle acheté.



AVERTISSEMENT

Concernant la norme UE :

Cet appareil peut être utilisé par des enfants âgés de 8 ans ou plus et par des personnes aux capacités physiques, sensorielles ou mentales réduites ou qui n'ont ni l'expérience, ni la connaissance, de l'appareil, si elles ont reçu des instructions ou qu'elles sont surveillées pour utiliser l'appareil en toute sécurité et qu'elles comprennent les dangers potentiels. Les enfants ne doivent pas jouer avec l'appareil. Le nettoyage et l'entretien par l'utilisateur ne doivent pas être effectués par des enfants sans surveillance.

Pour éviter la contamination des aliments, veuillez respecter les consignes suivantes :

- L'ouverture prolongée de la porte peut entraîner une augmentation significative de la température dans les compartiments de l'appareil.
- Nettoyez régulièrement les surfaces pouvant entrer en contact avec les aliments et les systèmes de drainage accessibles.
- Nettoyez les réservoirs d'eau s'ils n'ont pas été utilisés pendant 48 h ; purgez le système d'eau raccordé à une arrivée d'eau si l'eau n'a pas été purgée depuis 5 jours. **(Note 1)(*)**
- Conservez la viande crue et le poisson dans des récipients appropriés dans le réfrigérateur, afin qu'ils ne soient pas en contact avec d'autres aliments ou ne gouttent pas sur ceux-ci.
- Les compartiments pour aliments surgelés deux étoiles conviennent à la conservation d'aliments présurgelés, la conservation ou la fabrication de glace et la fabrication de glaçons. **(Note 2)(*)**
- Les compartiments 1 étoile, 2 étoiles et 3 étoiles ne conviennent pas à la congélation d'aliments frais. **(note 3)(*)**
- Concernant les appareils sans compartiment 4 étoiles : cet appareil de réfrigération ne convient pas à la congélation de denrées alimentaires. **(note 4)(*)**
- Si l'appareil de réfrigération est laissé vide pendant de longues périodes, éteignez-le, dégivrez-le, nettoyez-le, laissez-le sécher et laissez la porte ouverte pour éviter l'apparition de moisissures à l'intérieur de l'appareil.

Note 1,2,3,4 : Veuillez confirmer si cela s'applique au type de compartiment de votre produit.

(*) : Cette fonction varie selon le modèle acheté.



Symbol « 4 étoiles » : Congélateur à -18 °C ou plus froid, et qui peut congeler rapidement une certaine quantité d'aliments



Symbol « 3 étoiles » : Compartiment congélateur à -18 °C ou plus froid



Symbol « 2 étoiles » : Compartiment congélateur à -12 °C ou plus froid



Symbol « 1 étoile » : Compartiment congélateur à une température cible et des conditions de stockage de -6 °C



MISE EN GARDE

Il est déconseillé d'utiliser ce produit avec des prises ou un interrupteur à fonction A/GFCI, sinon vous pourriez provoquer un déclenchement intempestif.

1. Il ne présente pas de risque de sécurité en cas de déclenchement.
2. Si le déclenchement persiste, il est recommandé de les remplacer par des prises ou interrupteur sans fonction A/GFCI.



AVERTISSEMENT

Risque de piégeage d'enfants. Avant de jeter votre ancien réfrigérateur ou congélateur :

- > Enlevez les portes.
- > Laissez les étagères en place afin que les enfants ne puissent pas facilement grimper à l'intérieur.



AVERTISSEMENT

- > Un câble d'alimentation endommagé doit être remplacé par un électricien qualifié.
- > Les enfants de moins de trois ans doivent rester Clair sauf surveillance continue.

PROTECTION DE L'ENVIRONNEMENT

Élimination des anciens appareils électriques de manière écologique



Ce symbole de poubelle barrée sur roues indique que les déchets d'équipements électriques et électroniques (DEEE) doivent être éliminés séparément des déchets municipaux.

Les anciens produits électriques peuvent contenir des substances dangereuses, c'est pourquoi une élimination correcte de votre ancien appareil contribuera à prévenir des conséquences négatives potentielles pour l'environnement et la santé humaine. Votre ancien appareil peut contenir des pièces réutilisables qui pourraient être utilisées pour réparer d'autres produits, et d'autres matériaux précieux qui peuvent être recyclés pour conserver des ressources limitées.

MISE EN GARDE

Le réfrigérant et le matériau moussant au cyclopentane utilisés pour le réfrigérateur sont inflammables. Par conséquent, lorsque le réfrigérateur est mis au rebut, il doit être tenu à l'écart de toute source d'incendie et être récupéré par une entreprise de récupération spéciale de qualification correspondante, plutôt que d'être éliminé par combustion, afin d'éviter tout dommage à l'environnement ou de tout autre préjudice.

Informations sur l'emballage



Les matériaux d'emballage du produit sont fabriqués à partir de matériaux recyclables conformément à notre réglementation nationale en matière d'environnement. Ne jetez pas les matériaux d'emballage avec les déchets ménagers ou autres. Portez-les aux centres de collecte des matériaux d'emballage indiqués par les autorités locales.

INSTRUCTIONS D'INSTALLATION

Avant la première utilisation

Retirez l'emballage extérieur et intérieur, essuyez soigneusement l'extérieur avec un chiffon doux et sec et l'intérieur avec un chiffon humide et tiède.

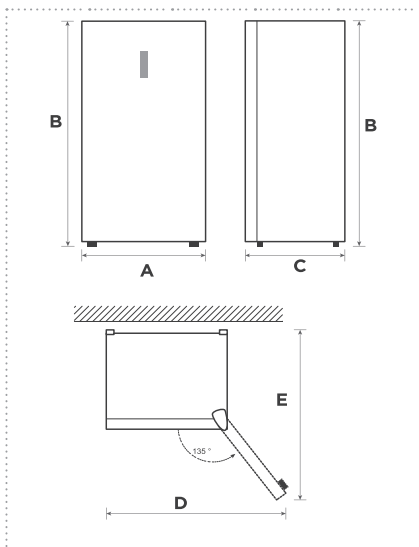
Évitez de placer l'armoire dans un renfoncement étroit ou près de toute source de chaleur, de soleil ou d'humidité.

Laissez l'air circuler librement autour de l'appareil. Lors de l'installation de l'appareil, assurez-vous de laisser 10 cm d'espace libre de chaque côté, 10 cm à l'arrière de l'appareil et 30 cm au -dessus de l'appareil.

Avant de brancher votre réfrigérateur à l'alimentation électrique, vérifiez que la tension indiquée sur l'étiquette signalétique de votre appareil corresponde à la tension de votre domicile. Une tension différente pourrait endommager l'appareil.

L'appareil doit être mis à la terre. Le fabricant n'est pas responsable des dégâts susceptibles de survenir suite à une utilisation sans mise à la terre.

Schéma de l'encombrement



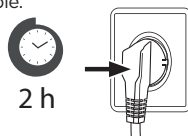
A	B	C	D	E
595	1850	644	1017	1025

Avis : Toutes les dimensions sont indiquées en mm

Branchement de l'appareil

Après le transport, laissez l'appareil au repos pendant plus de 2 heures avant de le mettre sous tension. Sinon, cela entraînerait une baisse de ses capacités de refroidissement ou causerait des dommages au produit.

Il faut autoriser la déconnexion de l'appareil depuis l'alimentation secteur après l'installation, via une prise ou un interrupteur principal accessible.



Laissez l'appareil fonctionner à vide pendant 24 heures afin que le compartiment puisse refroidir à la température appropriée.

⚠ MISE EN GARDE

Le congélateur vertical doit toujours être branché sur une prise électrique individuelle dont la tension correspond à celle indiquée sur la plaque signalétique.

Lors de l'installation de l'appareil, assurez-vous que le cordon d'alimentation n'est pas coincé ou endommagé.

Température ambiante

En fonction de la classe climatique, ce congélateur doit être utilisé à une plage de température ambiante telle que spécifiée dans le tableau suivant.

Le produit peut ne pas fonctionner correctement à des températures hors de la plage indiquée.

Vous pouvez trouver la classe climatique sur l'étiquette du produit.

Classe climatique	Température ambiante
NS	+10 °C à +32 °C
N	+16 °C à +32 °C
ST	+16 °C à +38 °C
T	+16 °C à +43 °C

Si vous avez des doutes concernant l'installation, veuillez vous adresser au fournisseur, à notre service client ou au centre de service agréé le plus proche.

💡 ATTENTION

Les performances de refroidissement et la consommation d'énergie du réfrigérateur peuvent être affectées par la température ambiante, la fréquence d'ouverture de la porte et l'emplacement du réfrigérateur. Nous vous recommandons de régler la température au besoin.

Inversion des portes

En fonction de l'emplacement où vous prévoyez d'utiliser votre réfrigérateur, vous pourriez trouver plus pratique d'inverser la position de la porte.

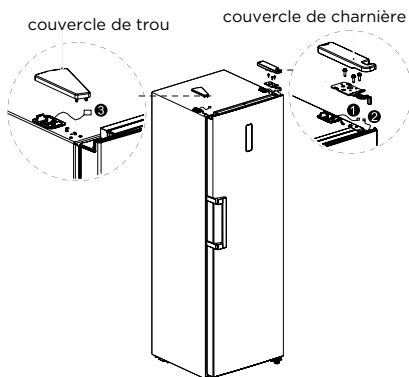
⚠ ATTENTION

Pour éviter de vous blesser ou d'endommager le matériel, nous vous recommandons de vous faire aider par quelqu'un pour inverser la porte.

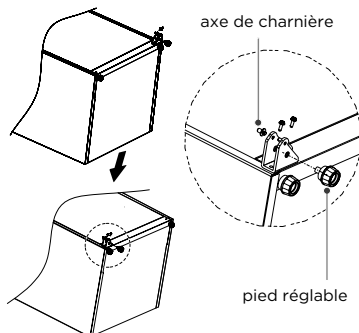
- > Assurez-vous que votre réfrigérateur est débranché et vide.
- > Prévoyez une personne pour vous aider durant la procédure.
- > Conservez toutes les pièces retirées afin de pouvoir les réutiliser par la suite.

ÉTAPE:

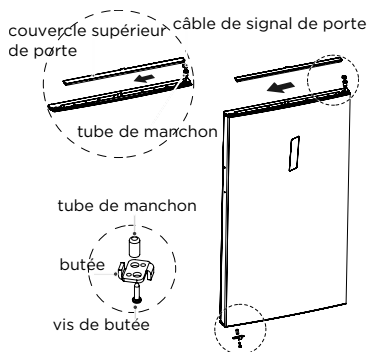
1. Éteignez le réfrigérateur et retirez tous les objets des balconnets de porte.
2. Démontez le cache-charnière supérieur, les vis et la charnière supérieure, puis retirez le cache-trou de l'autre côté. Débranchez le connecteur de câblage situé sur le dessus droit du réfrigérateur (connecteur de câblage ① ②).



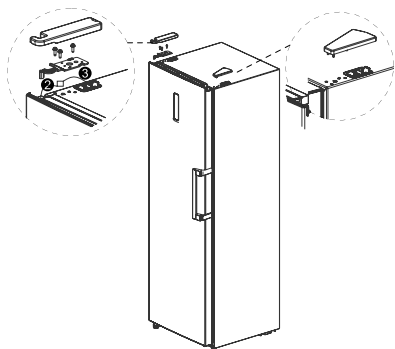
3. Démontez la porte et l'assemblage de la charnière inférieure droite (axe de charnière, pied réglable et charnière), démontez l'assemblage de la charnière inférieure droite, puis montez l'axe de charnière et le pied réglable de l'autre côté de la charnière, puis assemblez l'ensemble de la charnière de l'autre côté du réfrigérateur.



4. Retirez le couvercle supérieur de la porte, installez la douille de la charnière supérieure, le câble de signal de porte de l'autre côté et installez le couvercle supérieur de la porte. Démontez la butée de porte droite, le tube de manchon du bas droit de la porte, insérez le tube de manchon dans le trou de charnière du bas gauche de la porte, sortez la butée de porte gauche du sachet d'accessoires et montez-la sur le bas gauche de la porte, la butée de porte droite peut être conservée pour une utilisation ultérieure.



5. Sortez la charnière supérieure gauche, le couvercle de charnière supérieure gauche du paquet d'accessoires ; Placez la porte sur la charnière inférieure et montez la charnière supérieure gauche. Connectez la borne ③ du câble de signal à la borne ② du câble de signal, montez le couvercle de charnière supérieure et le couvercle de trou.



ATTENTION

Différences: En raison d'évolutions techniques et de différents modèles, certaines illustrations de ce manuel peuvent différer de votre modèle.

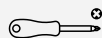
Installation de la poignée de porte

Des précautions doivent être prises pour éviter que la chute de la poignée ne cause des blessures corporelles.

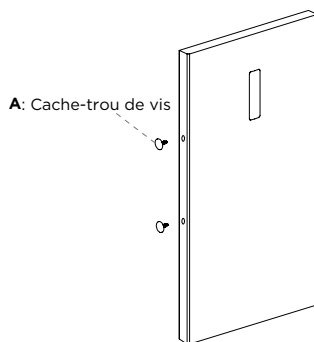
Étapes d'assemblage:

1. Retirez les caches des trous de vis 'A' de la porte, puis utilisez un tournevis cruciforme pour fixer fermement les vis 'C' dans le trou de vis 'B'.
2. Montez les caches 'D' sur le trou de vis de la poignée.
3. L'opération inverse permet le démontage.

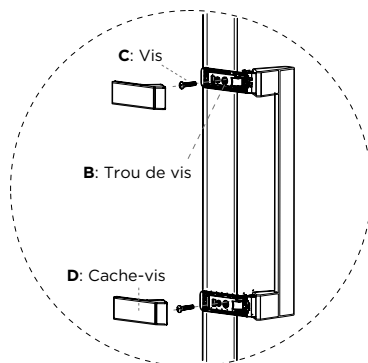
Liste des outils à fournir par l'utilisateur



Tournevis cruciforme



A: Cache-trou de vis



C: Vis

B: Trou de vis

D: Cache-vis



Pieds réglables

L'appareil doit être mis à niveau pour éviter toute vibration.

Si nécessaire, réglez les pieds de mise à niveau de manière à compenser les irrégularités du sol.

L'avant doit être légèrement plus haut que l'arrière pour faciliter la fermeture de la porte.

Les pieds de mise à niveau peuvent être tournés facilement en inclinant légèrement l'armoire.

Tournez les pieds de mise à niveau dans le sens contraire des aiguilles d'une montre  pour soulever l'appareil, et dans le sens des aiguilles d'une montre  pour l'abaisser.

Remplacement de l'ampoule

Tout remplacement ou entretien des lampes LED doit être effectué par le fabricant, son agent de service ou une personne qualifiée similaire.

Ce produit contient une source lumineuse de classe d'efficacité énergétique (F).

Déplacement de l'appareil

1. Videz l'appareil de son contenu.
2. Débranchez la fiche d'alimentation, et fixez-la au crochet de prise située à l'arrière ou la placer au-dessus de l'appareil.
3. Collez les pièces telles que les étagères et la porte pour éviter qu'elles ne tombent lors du déplacement de l'appareil.
4. Avec précaution, déplacez l'appareil à l'aide de deux personnes au moins. Lors du transport sur une longue distance, l'appareil doit être maintenu en position verticale.

ATTENTION

Une fois le cordon d'alimentation (ou la fiche) branchée, attendez 2 à 3 heures avant de mettre des aliments dans l'appareil. Les aliments risquent de se dégrader si vous les mettez dans l'appareil avant son refroidissement complet. may spoil.

Conseils pour l'économie d'énergie

Ne placez pas l'appareil à proximité de cuisinières, radiateurs et autres sources de chaleur. Si la température ambiante est élevée, le compresseur fonctionne plus fréquemment et plus longtemps, ce qui entraîne une augmentation de la consommation d'énergie.

Assurez-vous qu'il y a une ventilation suffisante à la base de l'appareil, sur les côtés de l'appareil et à l'arrière de l'appareil. Il faut également respecter les dégagements du chapitre « Installation ».

La disposition des bacs, des clayettes et des plateaux, telle qu'elle est présentée dans l'aperçu du produit, offre l'utilisation la plus efficace de l'énergie et doit être conservée dans la mesure du possible.

Pour obtenir un plus grand espace de stockage (par exemple pour les gros produits réfrigérés/congelés), les bacs et les clayettes du milieu peuvent être retirés. Les bacs supérieurs et inférieurs et les étagères doivent être retirés en dernier si nécessaire. Un compartiment réfrigérateur/congérateur rempli uniformément contribue à une utilisation optimale de l'énergie.

Laissez refroidir les aliments chauds avant de les mettre dans le compartiment réfrigérateur/congérateur. Les aliments qui ont déjà refroidi augmentent l'efficacité énergétique.

Laissez les aliments congelés se décongeler dans le compartiment de réfrigération.

La froideur des aliments congelés réduit la consommation d'énergie dans le réfrigérateur et augmente ainsi l'efficacité énergétique.

Ouvrez la porte aussi brièvement que nécessaire pour minimiser toute perte de froid. L'ouverture/fermeture de la porte brièvement réduit la consommation d'énergie.

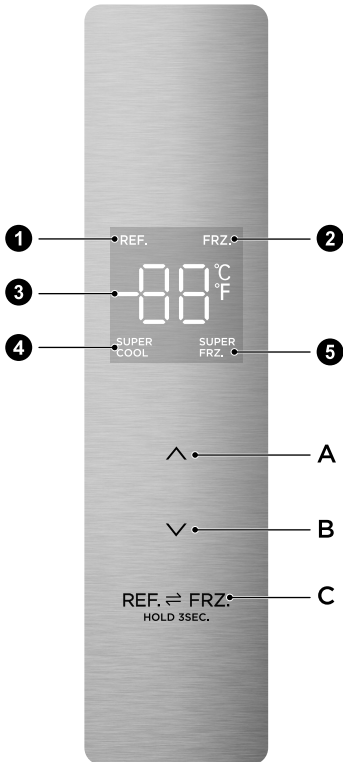
Un réglage de la température au plus juste contribue à une utilisation optimale de l'énergie.

Les joints de porte de l'appareil doivent être parfaitement intacts pour faciliter la fermeture des portes et éviter que la consommation d'énergie ne soit pas augmentée inutilement.

INSTRUCTIONS D'UTILISATION

Utilisation et fonctions

Panneau de fonctions



Affichage

- 1 Icône de réfrigération
- 2 Icône du congélateur
- 3 Icône d'affichage de la température
- 4 Icône super refroidissement
- 5 Icône super congélation

Bouton

- A Bouton d'augmentation de la température
- B Bouton de diminution de la température
- C Bouton de commutation réfrigérateur / congélateur

ATTENTION

Le panneau de commande peut différer d'un modèle à l'autre.

Toutes les icônes de température s'allument pendant 3s après la mise sous tension ; lors de la première mise en marche, la température par défaut est de -18 °C.

Commutation réfrigérateur / congélateur

Appuyez sur le bouton “**REF. ^{FRZ}**” pendant 3 secondes pour effectuer la commutation **Fridge/Freezer** ; les icônes de température correspondantes s'allument.

Réglage de la température

À chaque pression sur “**▲**” ou “**▼**”, la température réglée augmente de 1 °C ou diminue de 1 °C. Le réglage de la température prendra effet après le verrouillage du panneau d'affichage.

- > La plage de réglage du compartiment réfrigérateur est de 2 °C - 8 °C.
- > La plage de réglage du compartiment congélateur est de -24 °C à -16 °C.

Mode super refroidissement

Après avoir réglé la température du compartiment réfrigérateur à 2 °C, appuyez sur le bouton de diminution de température “**▼**” pour activer le mode super refroidissement.

Appuyez sur le bouton d'augmentation de température “**▲**” pour quitter le mode super refroidissement ou quittez automatiquement le mode super refroidissement après 6h.

Après avoir quitté le mode super refroidissement, la température du réfrigérateur reviendra automatiquement à la température réglée avant le mode super refroidissement.

Mode super congélation

Après avoir réglé la température du compartiment congélateur à -24 °C, appuyez sur le bouton de diminution de température “**▼**” pour activer le mode super congélation.

Appuyez sur le bouton d'augmentation de température “**▲**” pour quitter le mode super congélation ou quittez automatiquement le mode super congélation après 24h. Après avoir quitté le mode super congélation, la température du compartiment congélateur reviendra automatiquement à la température réglée avant le mode super congélation.

Contrôle d'alarme d'ouverture

Si la porte n'est pas fermée dans les deux minutes, le buzzer retentira jusqu'à ce que la porte soit fermée. Appuyez sur n'importe quel bouton pour arrêter l'alarme du buzzer.

Indication de défaut

Les avertissements suivants affichés à l'écran indiquent les défauts correspondants du réfrigérateur. Bien que le réfrigérateur puisse encore assurer la fonction de stockage au froid en cas des défauts suivants, l'utilisateur doit contacter un spécialiste de la maintenance afin d'assurer un fonctionnement optimal de l'appareil.

Code de défaut	Description du défaut
E2	Défaillance du capteur de température du compartiment réfrigération / congélation
E5	Erreur du circuit de détection du capteur de dégivrage
E6	Erreur de communication
E7	Erreur du capteur de température ambiante

Stockage des aliments

Compartiment congélateur

Le compartiment congélateur permet de congeler des aliments à basse température, de stocker à long terme des aliments congelés et de confectionner des glaçons.

Faites attention aux classifications par étoiles (4 étoiles, 2 étoiles et 1 étoile) dans le compartiment congélateur et aux durées de conservation qui en résultent pour les aliments congelés.

Ne mettez pas les aliments frais et congelés côte à côte. Les aliments congelés peuvent se décongeler.

Lorsque vous congelez de grandes quantités d'aliments frais (tels que de la viande, du poisson ou de la viande hachée), veuillez les diviser en plusieurs petits morceaux avant de les introduire, afin qu'ils puissent être rapidement congelés et soient faciles à prendre.

Respectez les durées de conservation recommandées par les fabricants d'aliments sur les emballages.

En l'absence d'informations sur l'emballage, les aliments ne doivent pas être conservés congelés plus de trois mois à compter de la date d'achat.

Lors de l'achat d'aliments congelés, assurez-vous qu'ils aient été congelés à une température appropriée et que l'emballage ne soit pas endommagé.

Les aliments congelés doivent être conservés dans des emballages individuels pour s'assurer que les aliments adjacents ne puissent être contaminés. Consommez les aliments décongelés immédiatement, ne les recongelez pas.

En cas de panne de courant prolongée ou de dysfonctionnement de l'appareil, retirez les aliments congelés stockés et vérifiez qu'ils soient encore consommables, puis conservez-les dans un endroit suffisamment frais ou dans un autre appareil.

Pour décongeler les aliments, retirez-les du congélateur et laissez-les décongeler à température ambiante ou au réfrigérateur. Pour décongeler rapidement les aliments, vous pouvez par exemple utiliser la fonction de décongélation de votre micro-ondes.

Si vous ne souhaitez décongeler qu'une partie d'un paquet, retirez la portion dont vous avez besoin et refermez immédiatement le reste du paquet. De cette manière, vous évitez les « brûlures de congélation » et minimiserez la formation de glace sur les aliments restants.

Compartiment de réfrigération

Pour minimiser l'humidité et la formation de glace ultérieure, ne mettez jamais de liquide dans le compartiment réfrigérateur dans des récipients non scellés. Le givre a tendance à se concentrer dans les parties les plus froides de l'évaporateur. Le stockage de liquides non couverts entraîne un besoin plus fréquent de dégivrage.

Ne mettez jamais d'aliments chauds dans le compartiment réfrigérateur. Ceux-ci doivent d'abord refroidir à température ambiante, puis être placés de manière à assurer une circulation d'air adéquate dans le compartiment réfrigérateur.

Les aliments ou les récipients alimentaires ne doivent pas toucher la paroi arrière du réfrigérateur car ils pourraient geler contre la paroi. N'ouvrez pas régulièrement la porte du réfrigérateur.

La viande et le poisson propre (emballés dans un emballage ou une feuille de plastique), qui peuvent être utilisés en 1 à 2 jours, peuvent être placés dans le compartiment réfrigérateur.

Les fruits et légumes sans emballage peuvent être placés dans la partie conçue pour les fruits et légumes frais

ATTENTION

Le stockage d'une trop grande quantité d'aliments juste après la connexion initiale de l'appareil à l'alimentation peut nuire à l'effet de congélation du réfrigérateur.

Durées de stockage et température

Remarque : Un stockage trop long ou un stockage à une température de congélation inappropriée peut entraîner une perte de qualité ou un pourrissement des aliments, ce qui entraînera un gaspillage alimentaire, rend les aliments impropres à la consommation et peut provoquer une intoxication alimentaire. La température minimale dans la plupart des cas devrait être inférieure ou égale à -18°C. Suivez les durées de stockage maximales recommandées ci-dessous :

- > Ragoût, crème glacée, saucisses, pain : 2 à 6 mois.
- > Poisson, crevettes, agneau, viande : 4 à 8 mois.
- > Légumes, fruits, volaille, bœuf : 6 à 12 mois.

MAINTENANCE ET NETTOYAGE



Mise en garde

NETTOYAGE

La poussière derrière le congélateur vertical et sur le sol doit être nettoyée pour améliorer l'effet de refroidissement et économiser de l'énergie.

Vérifiez régulièrement le joint de porte pour vous assurer qu'il n'y a pas de débris. Nettoyez le joint de porte avec un chiffon doux humidifié d'eau savonneuse ou de détergent dilué.

L'intérieur du congélateur vertical doit être nettoyé régulièrement pour éviter les mauvaises odeurs.

Débranchez l'appareil avant de nettoyer l'intérieur, et retirez tous les aliments, paniers, récipients, etc.

Utilisez un chiffon doux ou une éponge pour nettoyer l'intérieur du congélateur armoire avec une solution de deux cuillères à soupe de bicarbonate de soude et un litre d'eau tiède. Rincer ensuite à l'eau et essuyer. Après le nettoyage, ouvrez la porte et laissez sécher à l'air avant de brancher l'appareil.

Pour les zones difficiles à nettoyer dans le congélateur vertical (comme les interstices ou les coins), il est recommandé de les essuyer régulièrement avec un chiffon doux, une brosse souple, etc., et, si nécessaire, d'utiliser des outils auxiliaires (comme des bâtonnets fins) afin de garantir qu'aucun contaminant ni aucune bactérie ne s'accumulent dans ces zones.

N'utilisez pas de savon, de détergent, de poudre à récurer, de nettoyant en spray, etc., car ceux-ci peuvent provoquer des odeurs à l'intérieur du congélateur vertical ou contaminer les aliments.

Nettoyez les paniers avec un chiffon doux imbibé d'eau savonneuse ou de détergent dilué. Séchez avec un chiffon doux ou laissez sécher naturellement.

Essuyez la surface extérieure du congélateur vertical avec un chiffon doux humidifié d'eau savonneuse, de détergent, etc., puis essuyez-la pour la sécher.

N'utilisez pas de brosses dures, de tampons à récurer, de brosses métalliques, d'abrasifs (comme le dentifrice), de solvants organiques (tels que l'alcool, l'acétone, l'acétate d'isoamyle, etc.), d'eau bouillante, ni d'éléments acides ou alcalins, car ils peuvent endommager la surface et l'intérieur du congélateur vertical. L'eau bouillante et les solvants organiques tels que le benzène peuvent déformer ou endommager les pièces en plastique.

Ne rincez pas directement avec de l'eau ou d'autres liquides pendant le nettoyage pour éviter les courts-circuits ou affecter l'isolation électrique après immersion.



MISE EN GARDE

Débranchez le congélateur vertical pour le dégivrage et le nettoyage.

DÉGIVRAGE

Bien que cet appareil dégivre automatiquement, une couche de givre peut apparaître sur les parois intérieures du compartiment congélateur si la porte du congélateur est ouverte fréquemment ou laissée ouverte trop longtemps. Si le givre est trop épais, choisissez un moment où les réserves alimentaires sont faibles et procédez comme suit :

1. Retirez les aliments et paniers d'accessoires existants, débranchez l'appareil du secteur et laissez les portes ouvertes. Aérez soigneusement la pièce pour accélérer le processus de dégivrage.
2. Une fois le dégivrage terminé, nettoyez votre congélateur comme décrit ci-dessus.

ATTENTION

N'utilisez pas d'objets tranchants pour retirer le givre du congélateur. Ce n'est qu'après un séchage complet de l'intérieur que l'appareil doit être remis en marche et rebranché sur la prise secteur.

DÉPANNAGE

Les problèmes simples suivants peuvent être résolus par l'utilisateur. Veuillez appeler le service Après-Vente si les problèmes ne sont pas résolus.

Problème	Causes probables	Solution
Ne fonctionne pas	<ul style="list-style-type: none"> L'alimentation n'est pas sous tension et la prise n'est pas bien enfoncée. Basse tension, panne de courant ou une partie du circuit a disjoncté. 	<ul style="list-style-type: none"> Enfoncez bien la prise du cordon d'alimentation. Vérifiez l'alimentation électrique domestique.
La lampe ne s'allume pas	<ul style="list-style-type: none"> L'appareil n'est pas sous tension. La lampe est cassée. 	<ul style="list-style-type: none"> Débranchez et rebranchez le cordon d'alimentation. Remplacez la lampe par une nouvelle.
Les fruits ou légumes sont congelés	<ul style="list-style-type: none"> Les aliments ont-ils été placés à l'arrière du réfrigérateur ? La zone se trouvant près de la paroi arrière est l'endroit où les températures sont les plus froides. Fruits ou légumes stockés dans la zone fraîche/réfrigérée. 	<ul style="list-style-type: none"> Ne pas placer d'aliments susceptibles de geler facilement à l'arrière du compartiment réfrigérateur. La zone fraîche/réfrigérée est conçue uniquement pour la viande/le poisson.
Le réfrigérateur/ congélateur refroidit trop	<ul style="list-style-type: none"> La température est mal réglée. 	<ul style="list-style-type: none"> Augmentez la température.
Le compresseur fonctionne pendant une longue période de temps	<ul style="list-style-type: none"> Température ambiante élevée provoquant une longue durée de fonctionnement. Mettre trop d'aliments en une seule fois. Les aliments sont mis avant que l'appareil n'ait refroidi. Ouvrir la porte trop souvent. La couche de givre à l'intérieur est trop épaisse. 	<ul style="list-style-type: none"> Ce phénomène est normal. Ne mettez pas trop d'aliments en une seule fois. Attendez que les aliments aient refroidi avant de les mettre. N'ouvrez pas la porte trop souvent. Il faut dégivrer.
La porte ne ferme pas correctement	<ul style="list-style-type: none"> La porte est coincée par des objets. Trop d'aliments. Joint de porte déformé. 	<ul style="list-style-type: none"> Ne mettez pas trop d'aliments. Installez l'appareil de manière à ce qu'il soit stable. Chauffez le joint de porte, puis refroidissez-le pour qu'il reprenne sa forme (avec un sèche-cheveux électrique ou de l'eau chaude pour le chauffage).
La paroi extérieure est chaude	<ul style="list-style-type: none"> Lorsque l'appareil fonctionne, la chaleur est dissipée vers l'extérieur par les tubes métalliques se trouvant à l'intérieur de l'armoire. Les températures ambiantes plus élevées en été entraînent une augmentation de la température du mur extérieur. 	<ul style="list-style-type: none"> Une température plus élevée sur la paroi extérieure est normale. Augmentez l'espace de dissipation de la chaleur, ou placez l'appareil dans un endroit ventilé et frais.
Les montants ou les traverses sont chauds	<ul style="list-style-type: none"> Il y a des tubes métalliques à l'intérieur des montants et traverses, et la chaleur dégagée par les tubes empêche la condensation. 	<ul style="list-style-type: none"> Ce phénomène est normal.
Odeurs	<ul style="list-style-type: none"> Aliments avariés Aliments dégageant une forte odeur Le compartiment intérieur est sale. 	<ul style="list-style-type: none"> Nettoyez et retirez tout aliment avarié. Assurez-vous que les aliments dégageant une forte odeur soient emballés hermétiquement. Nettoyez le compartiment intérieur.

Problème	Causes probables	Solution
La température réelle diffère de la température réglée	<ul style="list-style-type: none"> Lorsque des aliments chauds sont introduits, la température augmentera temporairement. Après avoir réglé sur une nouvelle température, il faudra un certain temps pour que la température à l'intérieur du compartiment atteigne la température réglée lorsque la porte n'est pas ouverte. Une fois la température stabilisée, les températures réelles à différents endroits à l'intérieur du compartiment sont différentes, d'une différence d'environ $\pm 3^{\circ}\text{C}$. 	<ul style="list-style-type: none"> Ce phénomène est normal. Attendez un certain temps avant de vérifier la température réelle.
De la condensation se forme sur l'extérieur	<ul style="list-style-type: none"> La condensation peut se former lorsque l'humidité dans la pièce est élevée. 	<ul style="list-style-type: none"> Ce phénomène est normal. Essayez la condensation à l'aide d'un chiffon sec.
De la condensation se forme à l'intérieur du réfrigérateur et des tiroirs	<ul style="list-style-type: none"> Le réfrigérateur reste à un niveau d'humidité élevée pour maintenir les légumes et autres aliments au frais. Le niveau d'humidité est trop élevé dans la pièce et les portes ont été ouvertes fréquemment. Le joint de porte n'est pas étanche. 	<ul style="list-style-type: none"> Essuyez la condensation à l'aide d'un chiffon sec. N'ouvrez pas les portes aussi fréquemment ou ne les laissez pas ouvertes trop longtemps. Vérifiez le joint de porte, nettoyez-le ou corrigez sa position.
Givre autour des événements	<ul style="list-style-type: none"> La porte n'est pas fermée proprement. Le joint de porte n'est pas étanche. 	<ul style="list-style-type: none"> Assurez-vous que des aliments ne bloquent pas la porte. Vérifiez le joint de porte, nettoyez-le ou corrigez sa position.
Difficulté à ouvrir la porte	<ul style="list-style-type: none"> La différence de pression d'air entre l'intérieur et l'extérieur du compartiment peut parfois rendre difficile l'ouverture de la porte du congélateur. 	<ul style="list-style-type: none"> Attendez quelques instants, puis essayez d'ouvrir la porte lentement.

On peut entendre certains bruits pendant que le réfrigérateur est en marché : ceux-ci n'affectent pas son bon fonctionnement.

Sons qui peuvent être facilement évités :

- > Bruit causé par l'appareil n'étant pas de niveau - ajustez la position avec les pieds avant réglables à visser. Vous pouvez également installer des patins souples sous les roulettes arrière, surtout lorsque l'appareil est installé sur du carrelage.
- > Touchez le meuble adjacent - éloignez le réfrigérateur.
- > Grincement des tiroirs ou des étagères - retirez et remettez le bac ou l'étagère.
- > Bruits de bouteilles qui s'entrechoquent - espacez les bouteilles.

Les sons entendus durant une utilisation normale sont principalement dus au compresseur (mise en marche) et au circuit de refroidissement (dilatation et contraction thermiques du radiateur causées par l'écoulement de l'agent de refroidissement).

ANNEXE

Spécial pour la nouvelle norme européenne

Les pièces commandées dans le tableau suivant peuvent être acquises auprès d'un canal de fournisseurs de service

Pièce commandée	Fournie par	Temps minimum requis pour la fourniture
Thermostats	Personnel professionnel de maintenance	Au moins 7 ans après le lancement du dernier modèle sur le marché
Capteurs de température	Personnel professionnel de maintenance	Au moins 7 ans après le lancement du dernier modèle sur le marché
Cartes de circuits imprimés	Personnel professionnel de maintenance	Au moins 7 ans après le lancement du dernier modèle sur le marché
Sources de lumière	Personnel professionnel de maintenance	Au moins 7 ans après le lancement du dernier modèle sur le marché
Poignées de porte	Réparateurs professionnels et utilisateurs	Au moins 7 ans après le lancement du dernier modèle sur le marché
Charnières de porte	Réparateurs professionnels et utilisateurs	Au moins 7 ans après le lancement du dernier modèle sur le marché
Tiroirs	Réparateurs professionnels et utilisateurs	Au moins 7 ans après le lancement du dernier modèle sur le marché
Paniers	Réparateurs professionnels et utilisateurs	Au moins 7 ans après le lancement du dernier modèle sur le marché
Joints de porte	Réparateurs professionnels et utilisateurs	Au moins 10 ans après le lancement du dernier modèle sur le marché

Chère cliente / Cher client

1. Si vous souhaitez renvoyer ou faire remplacer le produit, veuillez contacter le magasin où vous l'avez acheté.

(N'oubliez pas d'apporter la facture)

2. Si votre produit tombe en panne et doit être réparé, veuillez contacter le service Après-Vente.



ATTENTION

Les informations sur le modèle dans la base de données du produit, ainsi que l'identificateur du modèle, peuvent être obtenues au moyen d'un lien Internet scanné par code QR, le cas échéant, sur l'étiquette d'efficacité énergétique du produit.

Pour de plus amples informations sur l'efficacité énergétique de l'appareil, consultez le site <https://ec.europa.eu> et effectuez une recherche en utilisant le nom du modèle.

Le nom du modèle se trouve sur l'étiquette signalétique de l'appareil.





Conteúdo

Instruções de segurança importantes	2
Proteção ambiental.....	5
Instruções de instalação	6
Inversão da porta (Opcional).....	7
Instalação da pega da porta	8
Pés niveladores	9
Movimentação do eletrodoméstico.....	9
Dicas para poupança de energia	9
Visão geral do produto	10
Peças e funções	10
Instruções de operação	11
Utilização e funções.....	11
Armazenamento de alimentos	13
Manutenção e limpeza	14
Resolução de problemas	15
Apêndice	17
Especial para novo padrão europeu.....	17

Antes de ligar o aparelho pela primeira vez, leia as seguintes dicas de segurança!

- > Este aparelho destina-se a ser utilizado em casa e em aplicações semelhantes, tais como áreas de cozinha para pessoal em lojas, escritórios e outros ambientes de trabalho; quintas e por clientes em hotéis, motéis e outros tipos de ambientes residenciais; ambientes tipo pousada; serviços de catering e aplicações semelhantes que não se destinem a retalho.
- > Este aparelho não se destina a ser utilizado por pessoas (incluindo crianças) com capacidades físicas, sensoriais ou mentais reduzidas, com ou falta de experiência e conhecimentos, exceto se forem supervisionadas ou se tiverem tido formação relativa à utilização do aparelho por uma pessoa responsável pela sua segurança.

Explicação dos termos/símbolos

	PERIGO Este símbolo indica que existem perigos para a vida e saúde das pessoas devido ao gás extremamente inflamável.
	AVISO A palavra-sinal indica um perigo com um nível médio de risco que, se não for evitado, pode resultar em morte ou ferimentos graves.
	CUIDADO A palavra-sinal indica um perigo com um nível baixo de risco que, se não for evitado, pode resultar em ferimentos menores ou moderados.
	ATENÇÃO A palavra-sinal indica informações importantes (p. ex., danos materiais), sem perigo.

IMPORTANTE: Preste especial atenção às mensagens que contêm as palavras **PERIGO**, **AVISO** ou **CUIDADO**. Estas palavras são utilizadas para o alertar para um perigo potencial que o pode ferir gravemente a si e a terceiros. As instruções dir-lhe-ão como reduzir a possibilidade de ferimentos e informá-lo-ão do que pode acontecer se as instruções não forem seguidas.

ATENÇÃO: Estas instruções de utilização são de caráter geral. Isto significa que certas funções se aplicam ao seu frigorífico/congelador, enquanto outras não.

Estamos constantemente a trabalhar no desenvolvimento e melhoria dos nossos tipos e modelos de aparelhos. Por conseguinte, reservamo-nos o direito de efetuar alterações ao design, equipamento e acessórios de todos os tipos e modelos sem aviso prévio.

Para aparelhos destinados a serem usados a altitudes superiores a 2000 m, a altitude máxima para uso deve ser indicado.

Guarde o Certificado de Garantia ou a folha de dados técnicos com as Instruções Manual durante a vida útil do eletrodoméstico. Contém dados técnicos importantes.

INSTRUÇÕES DE SEGURANÇA IMPORTANTES

LEIA E GUARDE ESTAS INSTRUÇÕES!



AVISO: Risco de incêndio / material inflamável

O refrigerante e o material de espuma de ciclopentano usados no aparelho são inflamáveis. Portanto, quando o aparelho for eliminado, deve ser mantido afastado de qualquer fonte de fogo e ser recolhido por uma empresa de recolha especial com qualificação correspondente que não seja ser eliminado por combustão, de modo a evitar danos para o ambiente ou qualquer outro dano



AVISO

Segurança geral

- > As crianças devem ser vigiadas para garantir que não brincam com o aparelho.
- > Se o cabo de alimentação estiver danificado, deve ser substituído pelo fabricante, um agente de assistência técnica autorizado ou por um profissional igualmente qualificado, para evitar qualquer perigo.
- > Não guarde substâncias explosivas, como latas de aerossol com um propulsor inflamável, no interior deste eletrodoméstico.
- > Este aparelho deve ser desligado da corrente após a utilização e antes de realizar a sua manutenção.
- > **AVISO:** Mantenha as aberturas de ventilação, na caixa do aparelho ou na estrutura incorporada, sem obstrução.
- > **AVISO:** Não utilize dispositivos mecânicos nem outros meios para acelerar o processo de descongelação, a não ser os recomendados pelo fabricante.
- > **AVISO:** Não danifique o circuito de refrigeração.
- > **AVISO:** Não utilize aparelhos elétricos no interior dos compartimentos de conservação do aparelho, a não ser os dos tipos recomendados pelo fabricante.
- > **AVISO:** Eliminar o frigorífico de acordo com os regulamentos locais, uma vez que este usa gás de exaustão e refrigerante inflamáveis.
- > **AVISO:** Ao posicionar o aparelho, certifique-se de que o cabo de alimentação não está preso nem danificado.
- > **AVISO:** Não colocar extensões múltiplas portáteis ou fontes de alimentação portáteis atrás do aparelho.
- > Não utilize cabos de extensão ou adaptadores dois pinos que não estejam ligados à terra.
- > Para evitar risco devido à instabilidade do aparelho, deve ser fixado de acordo com as instruções.
- > O frigorífico deve estar desligado da fonte de alimentação elétrica antes de tentar instalar acessórios. Certifique-se de que o cabo de alimentação não fica preso pelo frigorífico. Não pisar o cabo de alimentação.
- > Para um aparelho independente: este frigorífico não se destina a ser usado como aparelho encastrado.



CUIDADO

Utilização diária

- > Não puxe pelo cabo de alimentação ao desligar o frigorífico da tomada. Segure a ficha com firmeza e retire-a diretamente da tomada.
- > Para garantir a utilização segura, não danifique o cabo de alimentação nem utilize o cabo de alimentação quando este estiver danificado ou desgastado.
- > Utilize uma tomada elétrica dedicada, esta não deve ser partilhada com outros eletrodomésticos.
- > A ficha deve estar firmemente ligada à tomada, caso contrário, pode provocar um incêndio.
- > Assegure-se de que o eletrodo de ligação à terra da tomada elétrica está equipado com uma linha de ligação à terra fiável.
- > No caso de fugas de gás e de outros gases inflamáveis, desligar a válvula do gás que está com fuga e, em seguida, abra as portas e as janelas.
- > Não desligue o frigorífico e outros eletrodomésticos da tomada, considerando que uma faísca pode provocar um incêndio.
- > Não utilize aparelhos elétricos em cima do aparelho, a menos que sejam de um tipo recomendado pelo fabricante.
- > Os espaços entre as portas de frigorífico e entre as portas e o corpo do frigorífico são pequenos, não ponha as mãos nestas áreas para evitar entalar os dedos. Tenha cuidado quando fecha a porta do frigorífico para evitar a queda de artigos.
- > Não mexa em alimentos ou recipientes com as mãos molhadas na câmara de congelamento quando o frigorífico está a funcionar, especialmente recipientes metálicos, a fim de evitar queimaduras provocadas pelo gelo.
- > Não permita que nenhuma criança entre ou suba para o frigorífico, caso contrário, a criança pode asfixiar ou cair e ferir-se.
- > Não colocar objetos pesados na parte superior do frigorífico considerando que os objetos podem cair quando abrir a porta, e podem provocar lesões acidentais.
- > Não coloque produtos inflamáveis, explosivos, voláteis e altamente corrosivos no frigorífico para evitar danos ou acidentes com fogo.
- > Não coloque produtos inflamáveis perto do frigorífico para evitar incêndios.
- > O frigorífico é destinado para uma utilização doméstica, como armazenamento de alimentos; não deve ser utilizado para outros fins, tais como armazenamento de sangue, medicamentos, produtos biológicos, etc.
- > Não coloque cerveja, bebidas ou outros líquidos em garrafas ou recipientes fechados na câmara de congelamento, caso contrário, as garrafas ou os recipientes fechados podem rachar devido ao congelamento e provocar danos.



AVISO

- > Ligar apenas a fornecimento de água potável. (Adequado para máquina de cubos de gelo)(*)
- > Para evitar que as crianças fiquem presas, as chaves devem ser mantidas fora do alcance das crianças e não nas proximidades do congelador (ou frigorífico) (adequado para produtos com fechaduras).(*)

(*): esta funcionalidade depende do modelo adquirido.

AVISO

Para a norma da UE:

Este equipamento pode ser usado por crianças a partir de 8 anos e mais e por pessoas com capacidades físicas, sensoriais ou mentais reduzidas ou com falta de experiência e conhecimento se lhes tiver sido dada a supervisão ou instrução relativamente ao uso do equipamento de uma forma segura e entender os riscos envolvidos. As crianças não devem brincar com o aparelho. A limpeza e a manutenção pelo utilizador não devem ser efetuadas por crianças sem supervisão.

Para evitar a contaminação dos alimentos, deve respeitar as seguintes instruções:

- Não abrir a porta por longos períodos, esta pode causar um aumento significativo da temperatura nos compartimentos do aparelho.
- Limpar regularmente as superfícies que entram em contacto com alimentos e os sistemas de drenagem acessíveis.
- Limpe os depósitos de água se estes não tiverem sido utilizados durante 48 horas: limpe o sistema de águas ligado à rede de abastecimento se a água não tiver sido escoada há mais de 5 dias. **(Nota 1)(*)**
- Guardar carne e peixe cru em recipientes adequados no frigorífico para não pingarem nem entrarem em contacto com outros alimentos.
- Os compartimentos de alimentos congelados de duas estrelas são adequados para conservar alimentos pré-congelados, conservar ou fazer gelados e fazer cubos de gelo. **(Nota 2)(*)**
- Os compartimentos de 1, 2 e 3 estrelas não são adequados para o congelamento de alimentos frescos. **(nota 3)(*)**
- Para os aparelhos sem compartimento de 4 estrelas: este aparelho de refrigeração não é adequado para congelar géneros alimentícios. **(nota 4)(*)**
- Se o aparelho de refrigeração for deixado vazio durante longos períodos deve desligar, descongelar, limpar, secar e deixar a porta aberta para evitar a formação de bolor no interior do aparelho.

Nota 1, 2, 3, 4: Confirmar se é aplicável de acordo com o tipo de compartimento do produto.

(*): esta funcionalidade depende do modelo adquirido.



Símbolo "4 estrelas": Congelador a -18 °C ou mais frio, e tem a capacidade de congelar rapidamente uma determinada quantidade de alimentos



Símbolo "3 estrelas": Compartimento congelador a -18 °C ou mais frio



Símbolo "2 estrelas": Compartimento congelador a -12 °C ou mais frio



Símbolo "1 estrela": Compartimento congelador com uma temperatura-alvo e condições de armazenamento de -6 °C



CUIDADO

Este produto não é recomendado para utilização com tomadas ou interruptores principais com a função AFCI/GFCI, caso contrário pode provocar falsos disparos.

1. Não representa um risco de segurança ao disparar.
2. Se o disparo persistir, recomenda-se a substituição das tomadas ou do interruptor principal sem função AFCI/GFCI.



AVISO

Risco de aprisionamento de crianças. Antes de eliminar o seu frigorífico ou congelador usados:

- > Retire as portas.
- > Deixe as prateleiras na posição para impedir que as crianças subam facilmente para o interior do mesmo.



AVISO

- > Um cabo de alimentação danificado deve ser substituído por um electricista qualificado.
- > Crianças com menos de três anos devem permanecer Claro, a menos que haja supervisão contínua.

PROTEÇÃO AMBIENTAL

Eliminar os aparelhos elétricos antigos de forma ecológica



Este símbolo de contentor de lixo com rodas barrado com uma cruz indica que os resíduos de produtos elétricos e eletrônicos (REEE) devem ser eliminados separadamente do fluxo de resíduos urbanos.

Os produtos elétricos antigos podem conter substâncias perigosas, pelo que a eliminação correta do seu aparelho antigo ajudará a evitar potenciais consequências negativas para o ambiente e a saúde humana. O seu aparelho antigo pode conter peças reutilizáveis que podem ser utilizadas para reparar outros produtos e outros materiais valiosos que podem ser reciclados para conservar recursos limitados.

CUIDADO

O refrigerante e o material da espuma de ciclopentano usados no frigorífico são inflamáveis. Assim, quando o frigorífico for desmantelado, deve ser mantido afastado de qualquer fonte de incêndio e ser recolhido por uma empresa de recolha especial, com a correspondente qualificação, que não a de eliminação por combustão, a fim de evitar danos para o meio ambiente ou quaisquer outros danos.

Informação sobre a embalagem



Os materiais de embalagem do produto são fabricados a partir de materiais recicláveis, em conformidade com os nossos Regulamentos Nacionais do Ambiente. Não elimine os materiais de embalagem juntamente com os resíduos domésticos ou outros resíduos. Entregue-os nos pontos de recolha de material de embalagem designados pelas autoridades locais.

INSTRUÇÕES DE INSTALAÇÃO

Antes da primeira utilização

Retire a embalagem exterior e interior, limpe cuidadosamente o exterior com um pano seco e macio e o interior com um pano húmido e morno.

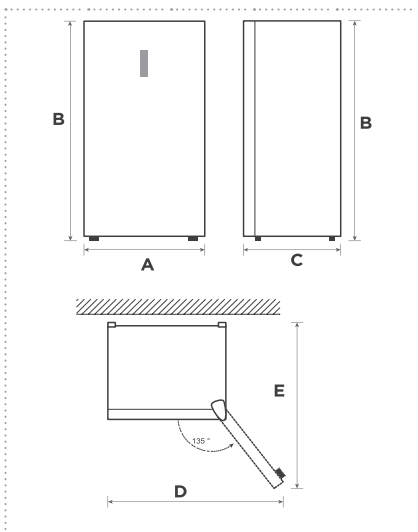
Evite colocar o armário numa reentrância estreita ou perto de qualquer fonte de calor, luz solar direta ou humidade.

Permita que o ar circule livremente ao redor do armário. Ao instalar a unidade, certifique-se de que haja 10 cm de espaço livre em ambos os lados, 10 cm na parte traseira da unidade e 30 cm na parte superior da unidade.

Antes de ligar o seu frigorífico à corrente elétrica, verifique se a tensão indicada na etiqueta de características do seu aparelho corresponde à tensão da sua casa. Uma tensão diferente pode danificar o aparelho.

O aparelho deve ser ligado à terra. O fabricante não é responsável por danos que possam ocorrer como resultado de uma utilização sem ligação à terra.

Diagrama dos requisitos de espaço



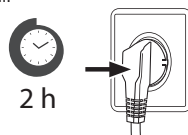
A	B	C	D	E
595	1850	644	1017	1025

Aviso: Todas as dimensões em mm

Ligar o aparelho

Depois de instalar o produto, deixe-o repousar durante mais de 2 horas antes de o ligar à corrente; caso contrário, a capacidade de arrefecimento pode diminuir ou o produto pode ficar danificado.

É necessário permitir a desconexão do aparelho a partir da alimentação elétrica após a instalação, através de uma ficha acessível ou interruptor principal.



Deixe o aparelho funcionar em vazio durante 24 horas para que o compartimento possa arrefecer até à temperatura adequada.

⚠ CUIDADO

O congelador vertical deve estar sempre ligado a uma tomada elétrica individual própria, cuja tensão corresponda à indicada na placa de características.

Ao posicionar o aparelho, certifique-se de que o cabo de alimentação não fica preso nem danificado.

Temperatura ambiente

Dependendo da classe climática, este congelador destina-se a ser utilizado em intervalos de temperatura ambiente, tal como especificado na tabela seguinte. O produto pode não funcionar corretamente a temperaturas fora do intervalo especificado.

Podem encontrar a classe climática na etiqueta do produto.

Classe Climática	Temperatura ambiente
SN	+10 °C a +32 °C
N	+16 °C a +32 °C
ST	+16 °C a +38 °C
T	+16 °C a +43 °C

Em caso de dúvida sobre a instalação, dirija-se ao vendedor, ao nosso serviço de apoio ao cliente ou ao centro de assistência autorizado mais próximo.

💡 ATENÇÃO

O desempenho de arrefecimento e o consumo de energia do frigorífico podem ser afetados pela temperatura ambiente, pela frequência de abertura das portas e pela localização do frigorífico. Recomendamos o ajuste das definições de temperatura conforme apropriado.

Inversão da porta (Opcional)

Com base no local onde planeia usar o seu frigorífico, pode achar mais conveniente inverter a posição da porta.

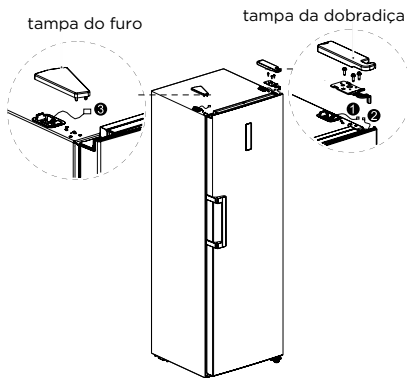
CAUTION

Para evitar ferimentos a si próprio ou danos na sua propriedade, recomendamos que alguém o assista durante o processo de inversão da porta.

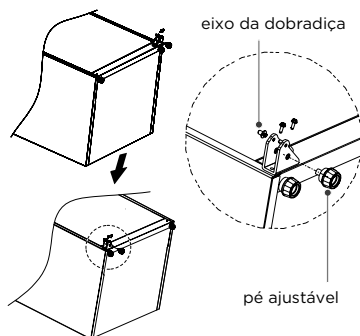
- > Certifique-se de que o seu frigorífico está desligado da corrente e vazio.
- > Tenha alguém disponível para o ajudar no processo.
- > Guarde todas as peças que remover para reutilizá-las mais tarde.

PASSO:

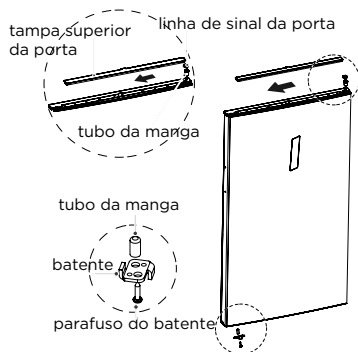
1. Desligue o frigorífico da corrente e retire todos os objetos das prateleiras da porta.
2. Desmonte a cobertura da dobradiça superior, os parafusos e a dobradiça superior, e remova a cobertura do orifício do outro lado. desligue o conector de cabos no lado direito do topo do frigorífico (1, 2 conector de cabos).



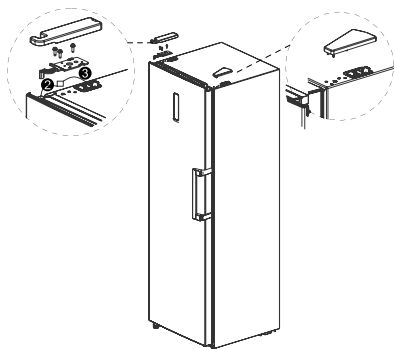
3. Desmonte a porta e o conjunto da dobradiça inferior direita (eixo da dobradiça, pé ajustável e dobradiça), desmonte o conjunto da dobradiça inferior direita, e monte o eixo da dobradiça e o pé ajustável no outro lado da dobradiça, depois monte todo o conjunto da dobradiça no outro lado do frigorífico.



4. Remova a cobertura superior da porta, instale a manga da dobradiça superior, a linha de sinal da porta para o outro lado e instale a cobertura superior da porta. Desmonte o batente da porta direita, a manga do tubo da parte inferior direita da porta, insira a manga do tubo no orifício da dobradiça da parte inferior esquerda da porta, retire o batente da porta esquerda do saco de acessórios e monte-o na parte inferior esquerda da porta; o batente da porta direita pode ser guardado para uso futuro.



5. Retire a dobradiça superior esquerda e a cobertura da dobradiça superior esquerda do pacote de acessórios; Coloque a porta na dobradiça inferior e monte a dobradiça superior esquerda. Ligue o terminal da linha de sinal ③ com o terminal da linha de sinal ②, monte a cobertura da dobradiça superior e a cobertura do orifício.



⚠ ATTENTION

Diferenças: Devido a alterações técnicas e diferentes modelos, algumas das ilustrações neste manual podem diferir do seu modelo.

Instalação da pega da porta

Devem ser tomadas precauções para evitar que a queda da pega cause qualquer lesão pessoal.

Passos de montagem:

1. Remova as tampas dos furos dos parafusos 'A' da porta e use uma chave de fenda cruzada para fixar os parafusos 'C' no furo do parafuso 'B' firmemente.
2. Monte as tampas dos furos 'D' no furo do parafuso da pega.
3. A operação inversa é para desmontagem.

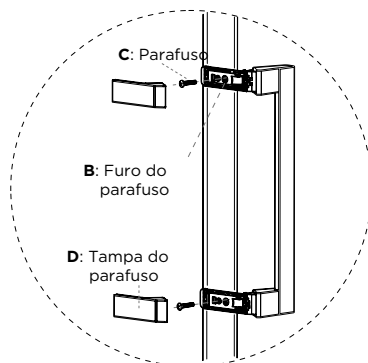
Lista de ferramentas a serem fornecidas pelo utilizador



Chave de fendas cruzada



A: Tampa do furo do parafuso



C: Parafuso

B: Furo do parafuso

D: Tampa do parafuso

⚠ ATTENTION

Diferenças: Devido a alterações técnicas e diferentes modelos, algumas das ilustrações neste manual podem diferir do seu modelo.



Pés niveladores

Para evitar vibrações, o eletrodoméstico deve estar nivelado.

Se necessário, ajuste os pés niveladores para compensar o piso irregular.

A parte da frente deve estar ligeiramente mais alta do que a parte traseira para ajudar no fecho da porta.

Os pés niveladores podem ser facilmente girados inclinando ligeiramente o armário.

Gire os pés niveladores no sentido anti-horário  para elevar a unidade, no sentido horário  para baixá-la.

Substituição da luz

Qualquer substituição ou manutenção das lâmpadas LED deve ser feita pelo fabricante, seu agente de serviço ou pessoa qualificada semelhante.

Este produto contém fontes de luz da classe de eficiência energética (F).

Mover o eletrodoméstico

1. Remova todos os itens do eletrodoméstico.
2. Retire o cabo de alimentação, insira e fixe-o no gancho do cabo de alimentação na parte traseira ou no topo do eletrodoméstico.
3. Fixe peças como prateleiras e a porta com fita para evitar que caiam durante a movimentação do aparelho.
4. Desloque o aparelho com mais de duas pessoas cuidadosamente. Ao transportar o aparelho por longas distâncias, mantenha-o na posição vertical.

ATTENTION

Após ligar o cabo de alimentação (ou ficha) à tomada, aguarde 2 ou 3 horas antes de colocar alimentos no aparelho. Se adicionar alimentos antes do aparelho estar completamente frio, os seus alimentos podem estragar-se.

Dicas para poupança de energia

Não coloque o aparelho perto de fogões, radiadores ou outras fontes de calor. Se a temperatura ambiente for elevada, o compressor funcionará com mais frequência e por mais tempo, resultando num aumento do consumo de energia.

Assegure que há ventilação suficiente na base do aparelho, nas laterais e na parte traseira do aparelho.

Por favor, observe também as dimensões de espaçamento no capítulo “Instalação”.

A disposição das gavetas, prateleiras e tabuleiros conforme mostrado na visão geral do produto oferece o uso mais eficiente de energia e deve ser mantida tanto quanto possível.

Para obter um espaço de armazenamento maior (por exemplo, para produtos refrigerados/congelados grandes), as gavetas e prateleiras do meio podem ser removidas. As gavetas e prateleiras superiores e inferiores devem ser removidas por último, se necessário.

Um compartimento de frigorífico/congelador preenchido de forma uniforme contribui para um uso ótimo de energia.

Deixe os alimentos quentes arrefecerem antes de os colocar no compartimento do frigorífico/congelador. Alimentos que já arrefeceram aumentam a eficiência energética.

Deixe os alimentos congelados descongelar no compartimento do frigorífico. O frio dos alimentos congelados reduz o consumo de energia no compartimento do frigorífico e, assim, aumenta a eficiência energética.

Abra a porta apenas pelo tempo estritamente necessário para minimizar a perda de frio. Abrir a porta brevemente e fechá-la corretamente reduz o consumo de energia.

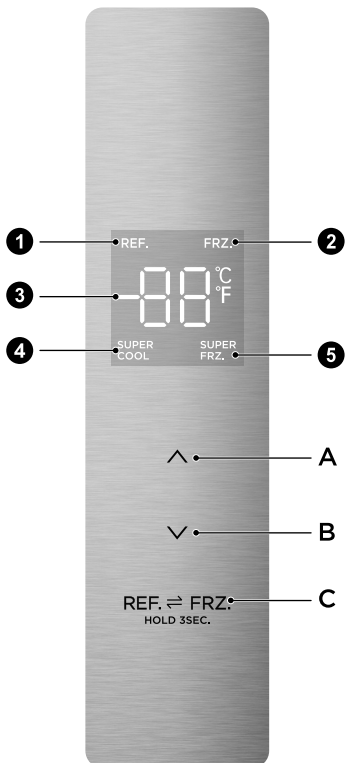
Definir a temperatura não mais fria do que o necessário contribui para um uso ótimo de energia.

As borrachas das portas do seu aparelho devem estar perfeitamente intactas para que as portas fechem corretamente e o consumo de energia não aumente desnecessariamente.

INSTRUÇÕES DE OPERAÇÃO

Utilização e funções

Painel de características



Ecrã

- 1 Ícone de refrigeração
- 2 Ícone do congelador
- 3 Ícone de exibição de temperatura
- 4 Ícone de super refrigeração
- 5 Ícone de super congelação

Botão

- A Botão de aumento de temperatura
- B Botão de diminuição de temperatura
- C Botão de alternar entre frigorífico/congelador

● ATTENTION

O painel de controlo real pode variar de modelo para modelo.

Todos os ícones de temperatura acendem-se dentro de 3s após ligar, para a primeira ligação, a temperatura predefinida é -18°C.

Comutação Frigorífico/Congelador

Pressione o botão “**REF. ^{REF.} FRZ. ^{FRZ.}**” durante 3 segundos para ativar a comutação Frigorífico/Congelador, os ícones de temperatura correspondentes acendem.

Definições de temperatura

Cada clique em “**▲**” ou “**▼**” fará subir ou descer a temperatura definida em 1°C. A definição da temperatura terá efeito após o painel de visualização ser bloqueado.

- > O intervalo de definição do compartimento do frigorífico é de 2°C a 8°C.
- > O intervalo de definição do compartimento do congelador é de -24°C a -16°C.

Modo de super refrigeração

Depois de ajustar a temperatura da câmara de refrigeração para 2°C, pressione o botão de temperatura para baixo “**▼**” para entrar no modo de super refrigeração.

Pressione o botão de temperatura para cima “**▲**” para sair do modo de super refrigeração ou saia automaticamente do modo de super refrigeração após 6h. Após sair do modo de super refrigeração, a temperatura do refrigerador retornará automaticamente para a temperatura definida antes do modo de super refrigeração.

Modo de super congelamento

Depois de ajustar a temperatura da câmara de congelamento para -24°C, pressione o botão de temperatura para baixo “**▼**” para entrar no modo de super congelamento.

Pressione o botão de temperatura para cima “**▲**” para sair do modo de super congelamento ou saia automaticamente do modo de super congelamento após 24h. Após sair do modo de super congelamento, a temperatura da câmara de congelamento retornará automaticamente para a temperatura definida antes do modo de super congelamento.

Controlo de alarme de abertura

Se a porta não for fechada em dois minutos, o alarme sonoro soará até que a porta seja fechada. Pressione qualquer botão para parar o alarme sonoro.

Indicação de falha

As seguintes advertências que aparecem no visor indicam falhas correspondentes do refrigerador. Embora o refrigerador ainda possa ter a função de armazenamento a frio com as falhas a seguir, o usuário deve contactar um especialista em manutenção para manutenção, a fim de garantir a operação otimizada do eletrodoméstico.

Código de avaria	Descrição da avaria
E2	Falha no sensor de temperatura do compartimento de refrigeração/ congelamento
E5	Erro no circuito de deteção do sensor de descongelação
E6	Erro de comunicação
E7	Erro no sensor de temperatura ambiente

Conservar alimentos

Compartmento do congelador

O compartimento do congelador destina-se à congelação de alimentos a baixa temperatura, à conservação a longo prazo de alimentos congelados e à produção de cubos de gelo.

Preste atenção às classificações por estrelas (4 estrelas, 2 estrelas e 1 estrela) no compartimento do congelador e aos períodos de armazenamento resultantes para alimentos congelados.

Não coloque alimentos frescos e congelados uns ao lado dos outros. Os alimentos congelados podem descongelar.

Quando congelar grandes quantidades de alimentos frescos (como carne, peixe ou carne picada), divida-os em várias porções pequenas antes de colocá-los, para que possam ser rapidamente congelados e retirados facilmente.

Respeite os tempos de conservação recomendados pelos fabricantes de alimentos nas embalagens. Se não houver informações na embalagem, os alimentos não devem ser conservados congelados durante mais de três meses a partir da data de compra.

Quando comprar alimentos congelados, certifique-se de que foram congelados a uma temperatura adequada e de que a embalagem não se encontra danificada.

Os alimentos congelados devem ser guardados em embalagens individuais adequadas para garantir que os alimentos adjacentes não sejam contaminados. Consuma os alimentos descongelados imediatamente, não os volte a congelar.

Em caso de falha de energia prolongada ou avaria do aparelho, retire os alimentos congelados armazenados e verifique se o local suficientemente fresco ou noutra aparelho.

Para descongelar alimentos, retire-os do congelador e deixe-os descongelar à temperatura ambiente ou no frigorífico. Para descongelar alimentos rapidamente, pode utilizar a função de descongelação do seu micro-ondas, por exemplo.

Se pretender descongelar apenas parte de uma embalagem, retire a porção de que necessita e feche imediatamente o resto da embalagem. Desta forma, evitará a “queimadura de gelo” e reduzirá a formação de gelo nos alimentos restantes.

Compartmento de refrigeração

Para reduzir a humidade e a consequente acumulação de gelo, nunca coloque líquidos no compartimento do frigorífico em recipientes que não estejam selados. O gelo tende a concentrar-se nas partes mais frias do evaporador. Armazenar líquidos destapados aumenta a frequência da necessidade de descongelação.

Nunca coloque alimentos quentes no compartimento do frigorífico. Estes devem primeiro arrefecer à temperatura ambiente e depois ser colocados de forma a garantir uma circulação de ar adequada no compartimento do frigorífico.

Alimentos ou recipientes de alimentos não devem tocar na parede traseira do frigorífico porque podem congelar e aderir à parede. Não abra regularmente a porta do frigorífico.

Carne e peixe limpo (embalados numa embalagem ou folha de plástico) podem ser colocados no compartimento do frigorífico e podem ser utilizados em 1 a 2 dias.

Frutas e legumes sem embalagem podem ser colocados na parte designada para frutas e legumes frescos

ATENÇÃO

O armazenamento de muitos alimentos durante o funcionamento após a ligação inicial à corrente pode afetar adversamente o efeito de congelação do frigorífico.

Tempos e temperatura de armazenamento

Nota: o armazenamento excessivo ou o armazenamento a uma temperatura de congelação inadequada pode causar uma perda de qualidade ou alimentos estragados, o que provoca desperdício de alimentos, não sendo comestível e pode causar intoxicação alimentar.

A temperatura mínima na maioria dos casos deve ser de -18 °C ou mais fria. Respeite os tempos máximos de armazenamento recomendados abaixo:

- > Guisados, gelado, salsichas, pão: 2 a 6 meses.
- > Peixe, camarão, borrego, carne: 4 a 8 meses.
- > Legumes, frutas, aves, carne de vaca: 6 a 12 meses.

MANUTENÇÃO E LIMPEZA



CUIDADO

LIMPEZA

O pó atrás do congelador vertical e no chão deve ser limpo para melhorar o efeito de refrigeração e a poupança de energia.

Verifique regularmente a vedação da porta para garantir que não haja detritos. Limpe a vedação da porta com um pano macio humedecido em água com sabão ou detergente diluído.

O interior do congelador vertical deve ser limpo regularmente para evitar odores desagradáveis.

Desligue-a corrente antes de limpar, retire todos os alimentos, cestos, recipientes, etc.

Utilize um pano ou esponja macia para limpar o interior do congelador vertical, com duas colheres de sopa de bicarbonato de sódio e um litro de água morna. Em seguida, enxaguar com a água e limpar. Depois de limpar, abra a porta e deixe secar naturalmente antes de ligar a alimentação.

Para áreas de difícil limpeza no congelador vertical (como fendas ou cantos), recomenda-se limpá-las regularmente com um pano macio, escova macia, etc., e, quando necessário, usar algumas ferramentas auxiliares (como varas finas) para garantir que não haja acumulação de contaminantes ou bactérias nessas áreas.

Não utilize sabão, detergente, pó abrasivo, spray de limpeza, etc., pois estes podem causar odores no interior do congelador vertical ou contaminar os alimentos.

Limpar os cestos com um pano macio embebido em água com detergente ou com detergente diluído. Secar com um pano macio ou deixar secar naturalmente.

Limpe a superfície exterior do congelador vertical com um pano macio humedecido com água com sabão, detergente, etc., e depois seque.

Não utilize escovas duras, esfregões abrasivos, escovas de arame, abrasivos (como pasta de dentes), solventes orgânicos (como álcool, acetona, acetato de isoamila, etc.), água a ferver, produtos ácidos ou alcalinos, pois podem danificar a superfície e o interior do congelador vertical. Água a ferver e solventes orgânicos, como benzeno, podem deformar ou danificar as peças plásticas.

Não passe diretamente por água ou outros líquidos durante a limpeza para evitar curto-circuitos ou afetar o isolamento elétrico depois da imersão.



CUIDADO

Desligue o congelador vertical da tomada para descongelar e limpar.

DESCONGELAÇÃO

Embora este aparelho descongele automaticamente, uma camada de gelo pode se formar nas paredes internas do compartimento do congelador se a porta do congelador for aberta com frequência ou mantida aberta por muito tempo. Se a geada estiver muito espessa, escolha um momento em que o estoque de alimentos esteja baixo e prossiga da seguinte.

1. Remova os alimentos existentes e os cestos de acessórios, desligue o aparelho da tomada e deixe as portas abertas. Ventile bem o ambiente para acelerar o processo de descongelamento.
2. Quando a descongelamento estiver concluída, limpe o seu congelador conforme descrito acima.



CUIDADO

Não utilize objetos cortantes para remover a geada do congelador. Somente após o interior estar completamente seco, o aparelho deve ser ligado novamente e conectado à tomada.

RESOLUÇÃO DE PROBLEMAS

Os seguintes problemas simples podem ser solucionados pelo utilizador. Contacte o departamento de serviço após-venda se os problemas não ficarem resolvidos.

Problema	Causas possíveis	Solução
Não funciona	<ul style="list-style-type: none"> A fonte de alimentação não está ligada e a ficha não está firmemente inserida. Tensão baixa, falha de energia ou parte do circuito disparou. 	<ul style="list-style-type: none"> Insira a ficha do cabo de alimentação com firmeza. Verifique a fonte de alimentação em casa.
A luz não acende	<ul style="list-style-type: none"> O aparelho não está ligado. A luz está avariada. 	<ul style="list-style-type: none"> Desligue e volte a ligar o cabo de alimentação. Substitua a luz por uma nova.
As frutas ou vegetais estão congelados	<ul style="list-style-type: none"> O alimento foi colocado na parte de trás do frigorífico? A área perto da parede traseira é onde as temperaturas são mais frias. As frutas ou vegetais são armazenados na zona Fresco/Refrigerado. 	<ul style="list-style-type: none"> Não coloque alimentos que possam congelar facilmente na parte de trás do compartimento do frigorífico. A zona Fresco/Refrigerado é indicada apenas para carne/peixe.
O frigorífico/ congelador está a arrefecer demasiado	<ul style="list-style-type: none"> O controlo de temperatura não está definido corretamente. 	<ul style="list-style-type: none"> Defina uma temperatura mais alta.
O compressor funciona durante muito tempo	<ul style="list-style-type: none"> A temperatura ambiente elevada provoca um tempo de funcionamento prolongado. Guardar demasiados alimentos de uma só vez. Os alimentos são guardados antes de terem arrefecido. Abrir a porta com demasiada frequência. A camada de gelo no interior é demasiado espessa. 	<ul style="list-style-type: none"> É uma situação normal. Não guarde demasiados alimentos de uma só vez. Espere que os alimentos arrefeçam antes de os colocar. Não abra a porta com demasiada frequência. É necessário descongelar.
A porta não fecha corretamente	<ul style="list-style-type: none"> A porta está presa com objetos. Há demasiados alimentos. A junta da porta está deformada. 	<ul style="list-style-type: none"> Não coloque demasiados alimentos. Posicione o aparelho de forma estável. Aqueça a junta da porta e, em seguida, arrefeça-a para a restaurar (com um secador elétrico ou água quente para aquecimento).
A parede exterior está quente	<ul style="list-style-type: none"> Quando o aparelho está a funcionar, o calor é dissipado para o exterior através dos tubos metálicos no interior do compartimento. As temperaturas ambiente mais elevadas no verão provocam um aumento da temperatura da parede exterior. 	<ul style="list-style-type: none"> É normal uma temperatura mais elevada na parede exterior. Aumente o espaço de dissipação de calor ou coloque o aparelho num local ventilado e fresco.
As vigas transversais ou verticais estão quentes	<ul style="list-style-type: none"> Existem tubos de metal dentro das vigas e o calor libertado dos tubos evita a condensação. 	<ul style="list-style-type: none"> É uma situação normal.
Odores	<ul style="list-style-type: none"> Alimentos estragados Alimentos com odores fortes O compartimento interior está sujo. 	<ul style="list-style-type: none"> Limpe e retire os alimentos estragados. Certifique-se de que os alimentos com cheiro forte estão embrulhados de forma hermética. Limpe o compartimento interior.

Problema	Causas possíveis	Solução
A temperatura real é diferente da temperatura definida	<ul style="list-style-type: none"> Quando guarda alimentos quentes, a temperatura aumenta temporariamente. Depois de definir uma nova temperatura, levará algum tempo para que a temperatura no compartimento atinja a temperatura definida quando a porta não é aberta. Depois de a temperatura estabilizar, as temperaturas reais em diferentes locais dentro do compartimento são diferentes, apresentando um desvio de cerca de ± 3 °C. 	<ul style="list-style-type: none"> É uma situação normal. Aguarde algum tempo antes de testar a temperatura real.
Forma-se condensação no exterior	<ul style="list-style-type: none"> Pode formar-se condensação quando a humidade na divisão é elevada. 	<ul style="list-style-type: none"> É uma situação normal. Remova a condensação com um pano seco.
Forma-se condensação no interior do frigorífico e nas gavetas.	<ul style="list-style-type: none"> O frigorífico mantém uma humidade elevada para manter os vegetais e outros alimentos frescos. A divisão apresenta humidade demasiado elevada e as portas foram abertas frequentemente. A junta da porta não está apertada. 	<ul style="list-style-type: none"> Remova a condensação com um pano seco. Não abra as portas com tanta frequência ou evite mantê-las abertas durante muito tempo. Verifique a junta da porta, limpe ou corrija a posição.
Gelo à volta das saídas de ar	<ul style="list-style-type: none"> A porta não está bem fechada. A junta da porta não está apertada. 	<ul style="list-style-type: none"> Certifique-se de que os alimentos não bloqueiam a porta. Verifique a junta da porta, limpe ou corrija a posição.
Dificuldade em abrir a porta	<ul style="list-style-type: none"> A diferença de pressão do ar entre o interior e o exterior do compartimento pode, por vezes, dificultar a abertura da porta do congelador. 	<ul style="list-style-type: none"> Aguarde alguns instantes e, em seguida, tente abrir a porta lentamente.

É possível ouvir alguns sons durante a utilização normal do frigorífico; estes sons não afetam o seu correto funcionamento.

Sons que podem ser facilmente evitados:

- > Ruído causado pelo facto de o aparelho não estar nivelado – ajuste a posição com os pés frontais giratórios ajustáveis. Em alternativa, coloque calços de material macio sob os rolos traseiros, especialmente se o aparelho for colocado sobre azulejos.
- > Contacto com o móvel adjacente – afaste o frigorífico.
- > Rangido das gavetas ou prateleiras – retire e volte a colocar a gaveta ou prateleira.
- > Sons de garrafas a tilintar – afaste as garrafas umas das outras.

Os sons ouvidos durante a utilização normal devem-se principalmente ao funcionamento do compressor (ligação) e do sistema de refrigeração (expansão e contração térmicas do radiador causada pelo fluxo do agente de refrigeração).

APÊNDICE

Especial relativamente à nova norma europeia

As peças encomendadas na tabela seguinte podem ser adquiridas no canal do fornecedor de serviços.

Peça encomendada	Fornecida por	Tempo mínimo necessário para o fornecimento
Termóstatos	Pessoal de manutenção profissional	Pelo menos 7 anos depois de o último modelo ser lançado no mercado
Sensores de temperatura	Pessoal de manutenção profissional	Pelo menos 7 anos depois de o último modelo ser lançado no mercado
Placas de circuito impresso	Pessoal de manutenção profissional	Pelo menos 7 anos depois de o último modelo ser lançado no mercado
Fontes de luz	Pessoal de manutenção profissional	Pelo menos 7 anos depois de o último modelo ser lançado no mercado
Manípulos das portas	Reparadores profissionais e utilizadores finais	Pelo menos 7 anos depois de o último modelo ser lançado no mercado
Dobradiças das portas	Reparadores profissionais e utilizadores finais	Pelo menos 7 anos depois de o último modelo ser lançado no mercado
Tabuleiros	Reparadores profissionais e utilizadores finais	Pelo menos 7 anos depois de o último modelo ser lançado no mercado
Cestos	Reparadores profissionais e utilizadores finais	Pelo menos 7 anos depois de o último modelo ser lançado no mercado
Juntas das portas	Reparadores profissionais e utilizadores finais	Pelo menos 10 anos depois de o último modelo ser lançado no mercado

Estimado cliente

1. Se pretender devolver ou substituir o produto, deve contactar o estabelecimento comercial onde o mesmo foi comprado.

(Não se esqueça de levar consigo a fatura de compra)

2. Se o seu produto avariar e necessitar de reparação, deve contactar o fornecedor de serviço após-venda.



ATENÇÃO

A informação do modelo na base de dados do produto, bem como o identificador do modelo, podem ser obtidos através de um código QR, se existir, no rótulo de eficiência energética do produto.

Para obter mais informações sobre a eficiência energética do aparelho, visite <https://ec.europa.eu> e pesquise usando o nome do modelo.

O nome do modelo pode ser encontrado na etiqueta de classificação do aparelho.



www.teka.com