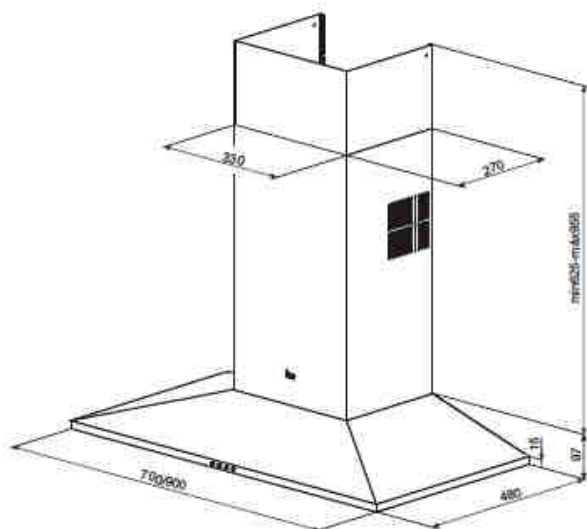


## TIKAL DSS 785/985 INOX



## CHARACTERISTICS

- 70/90 cm width
- Electronic backlight illuminated buttons
- Conventional extraction
- LED Bar 9W (70cm) / 12W (90cm)
- 3 speeds + Intensive
- Stop delay timer
- Decorative Stainless Steel filters
- Double turbine motor
- Reduction 150/120mm included
- European plug included
- Optional recirculation mode (SET 1/N+FILTER ADAPTOR)
- Annual Energy Consumption (AEHood) kWh/a 52,4 (DSS 785) / 54,6 (DSS 985)
- Energy Efficiency class A
- Fluid Dynamic Efficiency (FDEhood) 33
- Fluid Dynamic Efficiency class A
- Light Efficiency (Lehood) lux/Watt 43,3 (DSS 785) / 41,7 (DSS 985)
- Lighting Efficiency class A
- Grease Filtering Efficiency (GFEhood) % 82,7
- Grease Filtering Efficiency class C
- Air flow (Qmin) m<sup>3</sup>/h 303
- Air flow (Qmax) m<sup>3</sup>/h 597
- Air flow (Qboost) m<sup>3</sup>/h 760
- Noise (LwA) Min Speed dB 54
- Noise (LwA) Max Speed dB 68
- Noise (LwA) Boost Speed dB 73
- Off mode Power (Po) W 0,32
- Standby Power (Ps) W N/A
- Energy Efficiency Index (EEIhood) 49,2 (DSS 785) / 50,4 (DSS 985)
- Time increase actor (f) 0,8
- Air flow at best efficiency point (Qbep) m<sup>3</sup>/h 418
- Air pressure at best efficiency point (Pbep) Pa 446
- Electric power input at best efficiency point (Wbep) W 157
- Nominal power of the lighting system (WL) W 9 (DSS 785) / 12 (DSS985)
- Average illumination of the lighting system on the cooking surface (Emiddle) Lux 390 (DSS 785) / 500 (DSS 985)

DESCRIPTION	TKI CODE	EAN
TIKAL DSS 785 INOX	40437000	8421152145647
TIKAL DSS 985 INOX	40437010	8421152145654