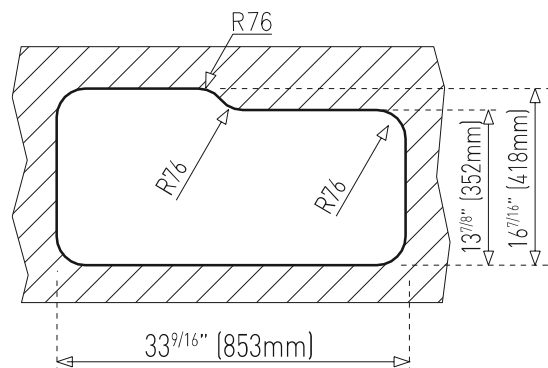
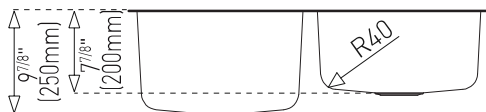
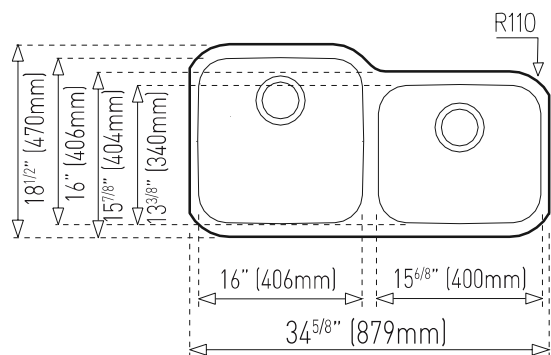


TU 34.18 R

Stainless steel kitchen sink
Undermount

TEKA



Material: Stainless steel
Finish: Polished
Installation: Undermount
Drain size: $3\frac{1}{2}''$
Gauge: 17
SilentSmart system
Includes: basket waste strainers and installation hardware

Dimensions:
External (L/W): $34\frac{5}{8}'' \times 18\frac{1}{2}''$ (879 x 470mm)
Bowl (L/W/D): $16'' \times 16'' \times 9\frac{7}{8}''$ (406 x 406 x 250mm)
Auxiliary bowl: $15\frac{5}{8}'' \times 13\frac{3}{8}'' \times 7\frac{7}{8}''$ (400 x 340 x 200mm)

Tapholes	Code	UPC	Packaging
-	10125041	606896010033	Box



Limited lifetime warranty for TEKA stainless steel kitchen sinks.
See our website for more details.



Product compliance:
ASME A112.19.3/CSA B45.4



Sinks are listed by IAPMO as meeting the applicable requirements of the Uniform Plumbing Code, International Plumbing Code, and National Plumbing Code of Canada.

