



• **UNIVERSO 1B 1D 86 sink:**

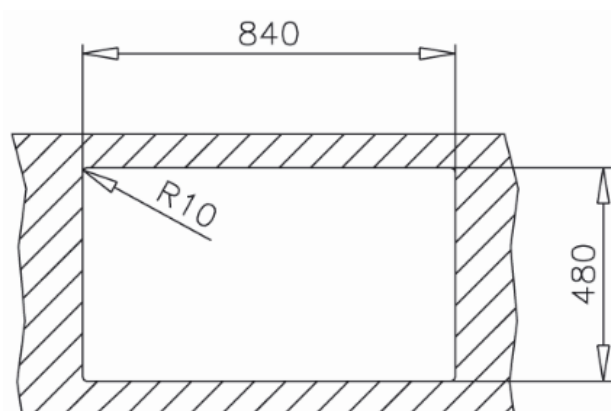
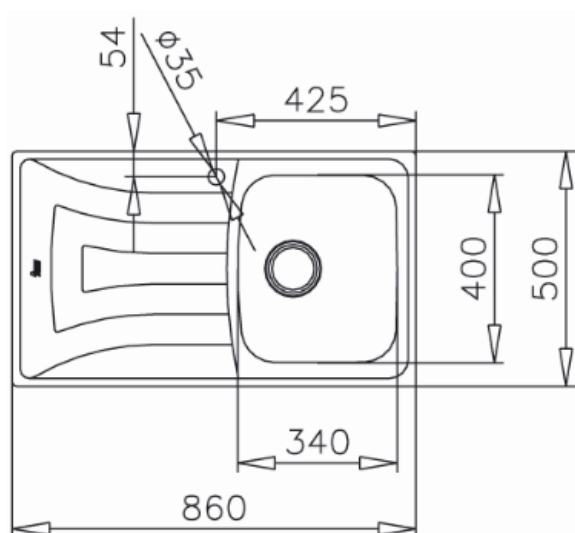
- **0,7 mm thickness stainless steel**
- **Polished**
- **3½” valve hole with overflow**
- **Bowl dimensions: 340 x 400 x 170 mm**
- **External dimensions: 860 X 500 mm**
- **Base units: 45 cms**

Accessories Included:

- **Installation clips**



- **Sealing by robot**



- **Packaging: Cardboard protector**

