

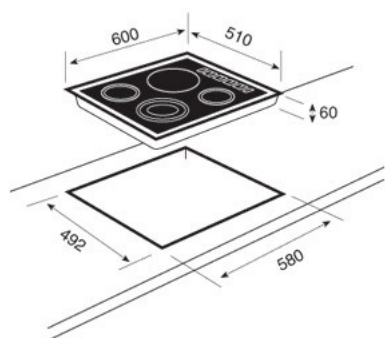
VT CM



CHARACTERISTICS

- Metallic lateral control knobs
- Stainless steel frame
- Dimensions: 600 x 510 mm
- 4 cooking zones: 2 high light heating elements (180 mm Ø), 2 high light heating elements (145 mm Ø)
- Residual heat indicators
- Maximum nominal power: 6,000 W

TECHNICAL DRAWING



Overall measurements (mm)

Width / Depth / Height	600/510/60
------------------------	------------

Measurements of base unit:

Width / Depth	580/492
---------------	---------

Electrical connection

Power supply (V)	230
Frequency (Hz)	50/60
Max. nominal power (W)	6000
Wire length (cm)	90

Heating elements

Triple circuit heating element \varnothing 145, 210, 270/1,0, 1,9, 2,7	-
Triple circuit heating element \varnothing 120, 180, 210/0,8, 1,6, 2,3	-
Double circuit heating element \varnothing 210/270, 1,500/2,4 Kw	-
Double circuit heating element \varnothing 180/210, 1,4/2,0 Kw	-
Double circuit heating element \varnothing 120/210, 0,7/2,1 Kw	-
Double circuit heating element \varnothing 120/200, 0,7/2,1 Kw	-
Double circuit heating element \varnothing 120/180, 0,7/1,7 Kw	-
Heating element \varnothing 210, 2,3 Kw	-
Heating element \varnothing 180, 1,8 Kw	2
Heating element \varnothing 160, 1,5 Kw	-
Heating element \varnothing 145, 1,2 Kw	2
Heating element \varnothing 100, 0,6 Kw	-
Extensible heating element \varnothing 175 x 265 mm	-
Vital zone \varnothing 210 x 170, 1,5/2,4 Kw	-
Oval zone \varnothing 145 x 180 mm	-
Warming zone 0,4 Kw	-
Halogen \varnothing 180, 1,8 Kw	-
Halogen \varnothing 145, 0,6 Kw	-

Features

Touch control panel	-
Cooking programmer	-
Timing function	-
Burst of cooking function	-

Safety systems

Residual heat indicator	•
Safety control lock	-
Automatic safety disconnection	-

Finishing

Round corners	-
Squared corners	•
Stainless steel frame	•
Bevelled glass	-
Stainless steel lateral profiles	-