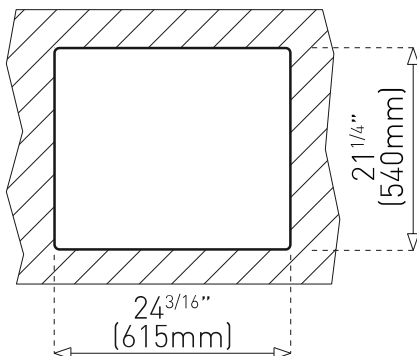
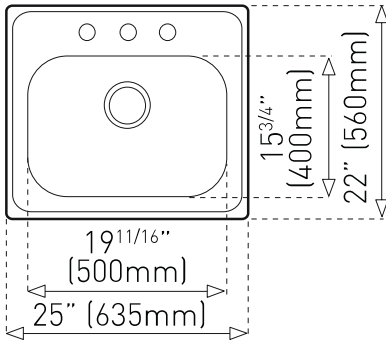


635.560 1B (25.22) 8"

Stainless steel kitchen sink
Topmount

TEKA



Material: Stainless steel
Finish: Polished
Installation: Topmount
Drain size: 3 1/2"
Gauge: 20
Tap holes: 1, 3 or 4
SilentSmart system
Includes: installation hardware

Dimensions:

External (L/W): 25" x 22" (635 x 560 mm)

Bowl (L/W/D): 19¹¹/₁₆" x 15³/₄" x 8" (500 x 400 x 203 mm)

Tap holes	Code	UPC	Packaging
4	81811426012	606896818097	Cardboard protector
3	81811326012	606896818103	Cardboard protector
1	81811126012	606896818110	Cardboard protector



Limited lifetime warranty for TEKA stainless steel kitchen sinks.
See our website for more details.



Product compliance:
ASME A112.19.3/CSA B45.4



Sinks are listed by IAPMO as meeting the applicable requirements of the Uniform Plumbing Code, International Plumbing Code, and National Plumbing Code of Canada.

