

# 840.560 2B (33.22) 8"

Stainless steel kitchen sink  
Topmount

TEKA

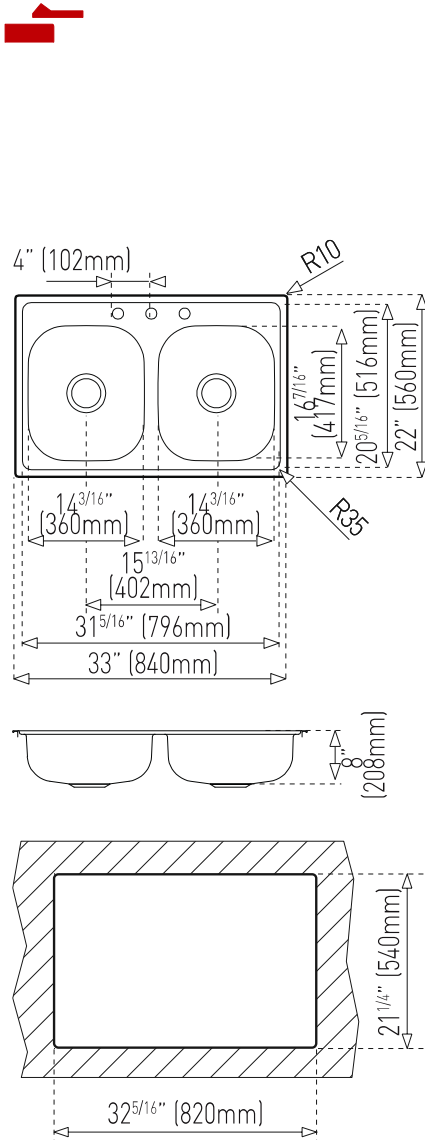


Material: Stainless steel  
Finish: Polished  
Installation: Topmount  
Drain size: 3 1/2"  
Gauge: 20  
Tap holes: 1, 2, 3 or 4  
*SilentSmart* system  
Includes: installation hardware

#### Dimensions:

External (L/W): 33" x 22" (840 x 560 mm)

Bowl (L/W/D): 14 3/16" x 16 7/16" x 8" (360 x 417 x 203 mm)



Tap holes	Code	UPC	Packaging
4	81111426108	606896811265	Cardboard protector
3	81111326108	606896811272	Cardboard protector
1	81111126108	606896811289	Cardboard protector



Limited lifetime warranty for TEKA stainless steel kitchen sinks.  
See our website for more details.



Product compliance:  
ASME A112.19.3/CSA B45.4



Sinks are listed by IAPMO as meeting the applicable requirements of the Uniform Plumbing Code, International Plumbing Code, and National Plumbing Code of Canada.

