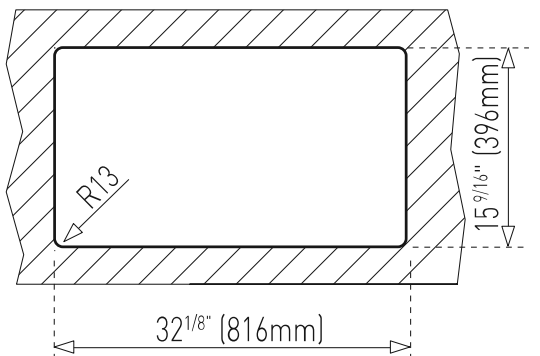
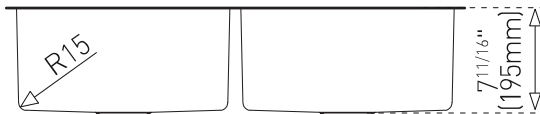
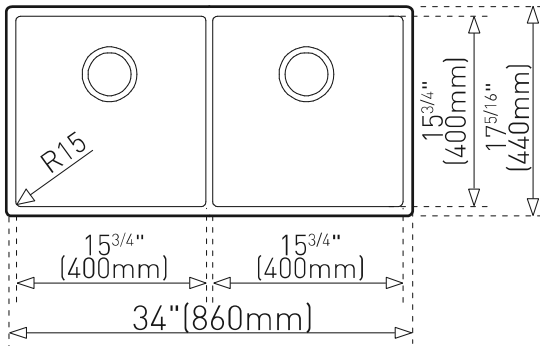


# BE LINEA R15 2B 34.17

Stainless steel kitchen sink  
Undermount

TEKA



Material: Stainless steel

Finish: Polished

Installation: Undermount

Drain size:  $3\frac{1}{2}''$

Gauge: 19

*SilentSmart* system

Includes: basket waste strainers and installation hardware

Dimensions:

External (L/W):  $34'' \times 17\frac{5}{16}''$  (860x440 mm)

Bowls (L/W/D):  $15\frac{3}{4}'' \times 15\frac{3}{4}'' \times 7\frac{11}{16}''$  (400x400x195 mm)

Tapholes

-

Code

115030005

UPC

606896010026

Packaging

Box



Limited lifetime warranty for TEKA stainless steel kitchen sinks.

See our website for more details.



Product compliance:

ASME A112.19.3/CSA B45.4



Sinks are listed by IAPMO as meeting the applicable requirements of the Uniform Plumbing Code, International Plumbing Code, and National Plumbing Code of Canada.

