



Features

- Built In Combi refrigerator
- Reversible doors
- Sliding doors hinge
- LED Illumination from top
- 4* Freezer
- Safety glass Shelves height adjustable
- Removable Balconies
- 2 Glass shelves in Freezer to maximize loading
- Antibacterial gasket
- Total Gross Volume : 210 liters
- Fridge Net Volume: 156 liters
- Freezer Net Volume: 19 liters
- Autonomy: 16 hours
- 1 compressor , R600a(28 gr)

External dimensions

↑1775 mm →540 mm ↗545 mm

Color

- White

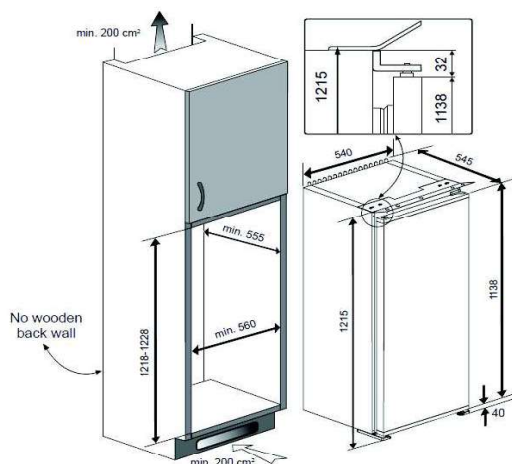
Reference

40693157

EAN 13

8421152160763

Technical drawing



Technical data

- Energy Efficiency class A++
- Climate Class T
- Energy Consumption 0,455 kWh/24h
- Annual consumption 166 kWh/year
- Freezing capacity 2 kg/24h
- Noise level 39 dBA
- Power supply 220-240 V / 50 Hz