

LIGHTING DATA

	CONTOUR ^{HD24}	337 lm
Luminaire Lumens (per metre)	CONTOUR ^{HD27}	364 lm
	CONTOUR ^{HD24}	36 lm/W/m
Lumens/Watt/Metre	CONTOUR ^{HD27}	39 lm/W/m
Lifetime L70/B10		>50,000 hrs
LOR		67%

CONNECTIONS AND MECHANICAL

Maximum Length	2000mm
Mounting	Mounting clips featuring 4mm fixing hole
IP Rating	IP20
Max Ambient °C	25°C

PRODUCT CODE

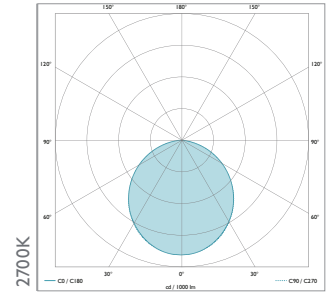
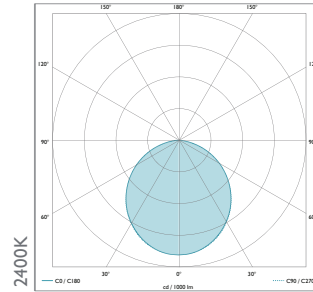
7mm Trimless Aluminium Extrusion (2 metre)
 Inclusive of 1no. of each type of End Cap and 4no. Mounting Clips
ACCPX7TR2

ACCESSORY CODES

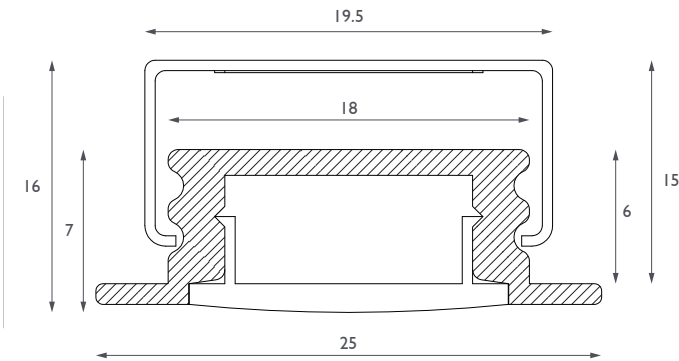
7mm Trim End Cap Complete With Cable Entry Holes	ACEC7TRH2
7mm Trim Mounting Clip	ACMCX7TR2
7mm Trim End Cap With Out Cable Entry Holes	ACEC7TRX2



v.1.4



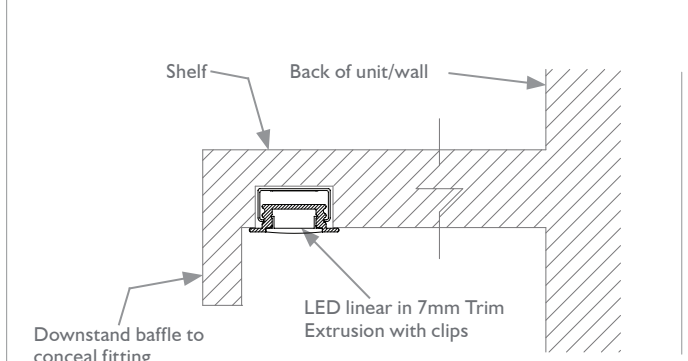
CONCEPT DETAIL



NB: ALL SURFACES MUST BE MATTE
 ALL DIMENSIONS IN MM
 NOT TO SCALE

NB: OPTIC PUSH FITS INTO EXTRUSION

FRONT LIGHTING SHELF DETAIL



NB: IF YOU HAVE HAD A DESIGN SERVICE PLEASE REFER TO THE DETAILS PROVIDED BY YOUR DESIGNER

COMPATIBLE DRIVERS

We have a variety of drivers available including DALI, 1-10V and mains dimmable, for the best solution, please call us on the numbers below.