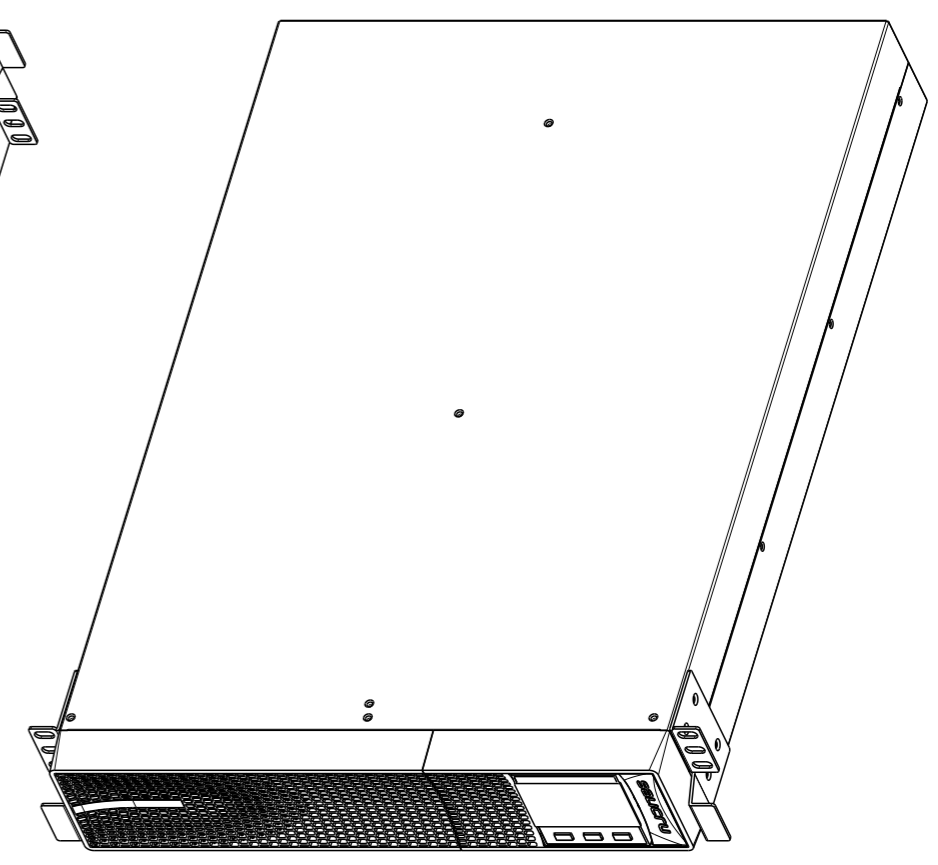
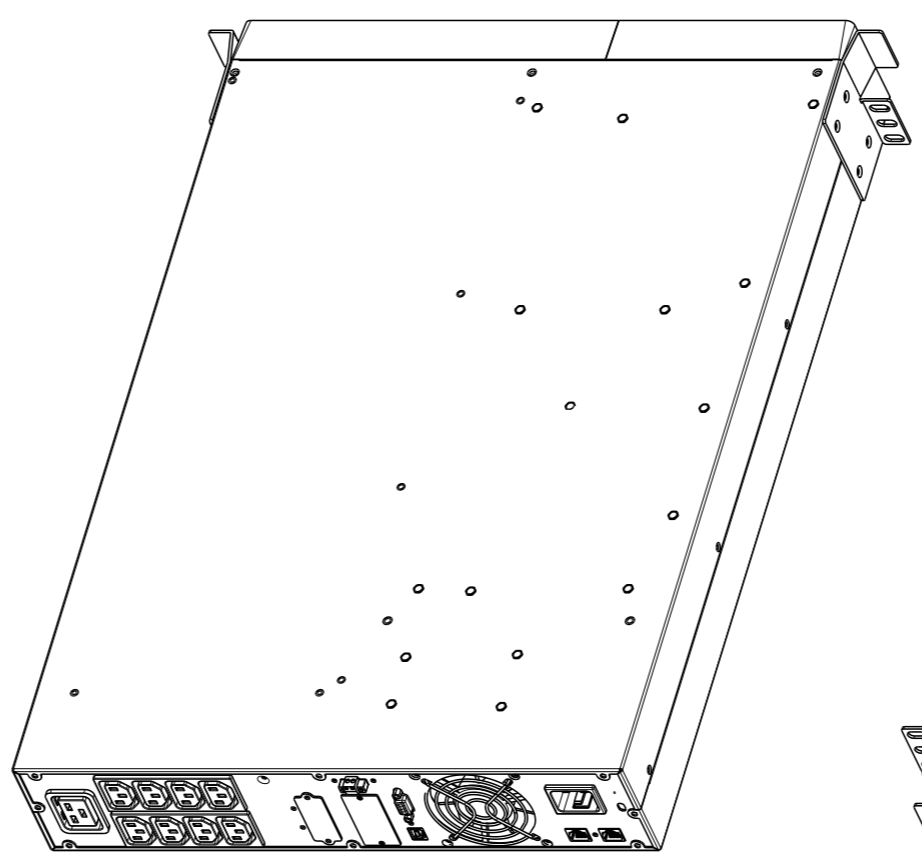
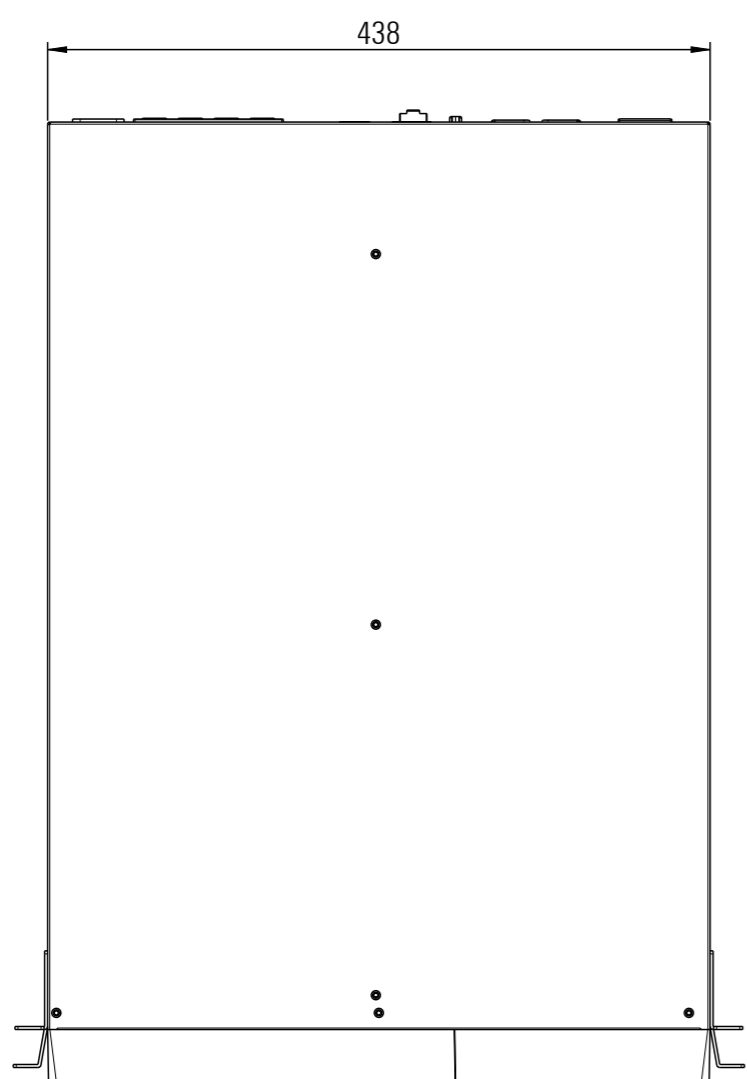
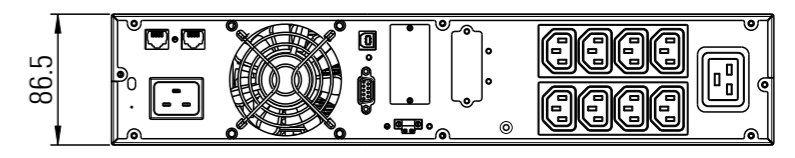
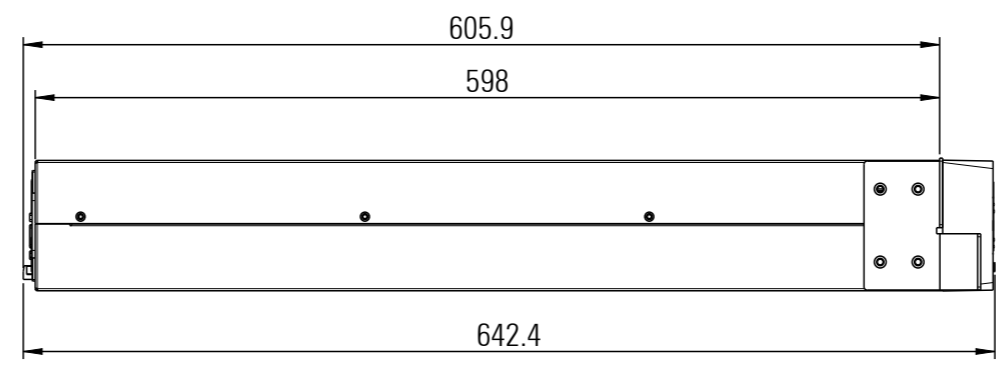
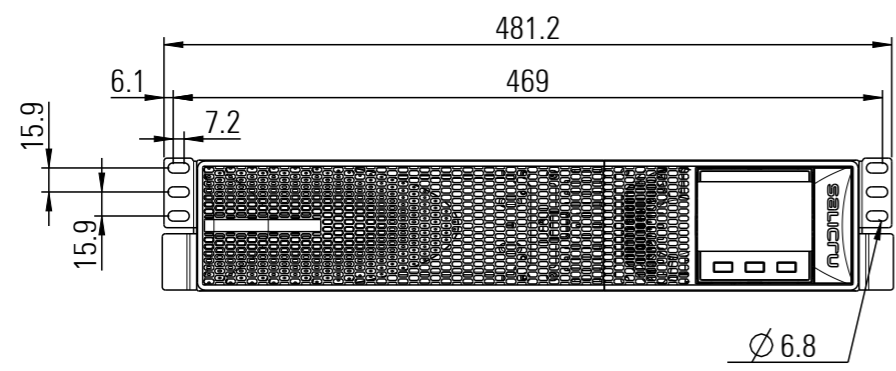


A  
B  
C  
D  
E  
F  
G  
H  
I  
J

1 2 3 4 5 6 7 8 9 10 11 12 13



MATERIAL				CUT TOLERANCES	FOLD TOLERANCES
COATING				< 100mm: ±0.1mm	< 500mm: ±0.5mm
MATERIAL	THICKNESS	COLOUR	FINISHING	100 TO < 500mm: ±0.2mm	500 TO < 1000mm: ±1mm
				500 TO < 1000mm: ±0.3mm	> = 1000mm: ±2mm
				> = 1000mm: ±0.5mm	DRILL TOLERANCES
				ANGULAR TOLERANCES	< Ø 6mm: ±0.1mm
				±0.5°	> = Ø 6mm: ±0.2mm
		<b>N° DIAGRAM</b> FB231A02			
<b>DRAWN BY</b> XAVI COSTA		<b>PAGE / PAGES</b> 1 / 1			
<b>DATE</b> 19/04/2021		<b>FORMAT:</b> A3			
		<b>SLC-3000-TWIN RT2 LION</b> COMMERCIAL VIEWS		E: 1/5   REMARKS:	