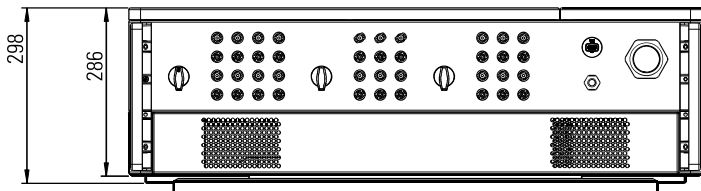
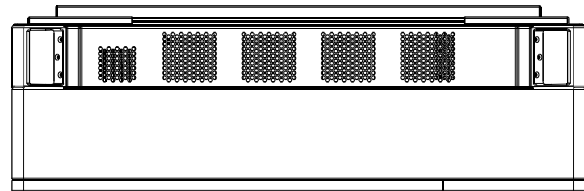
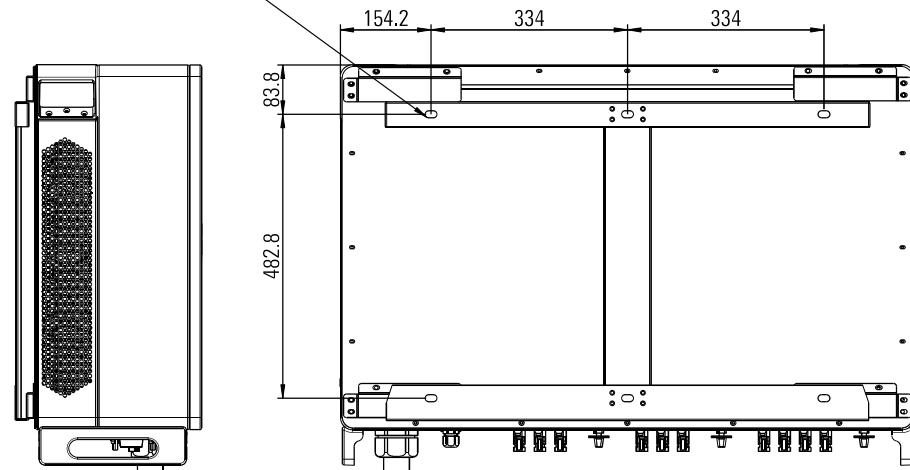
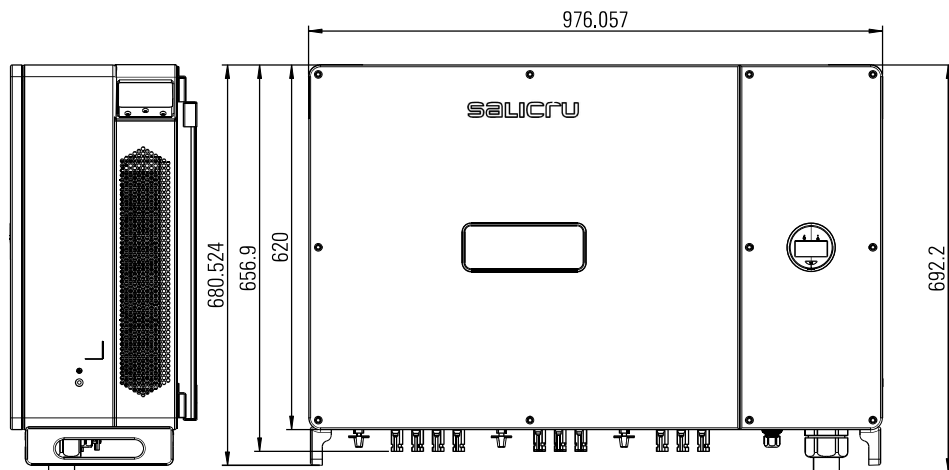


A  
B  
C  
D  
E  
F  
G  
H  
I  
J



6 x ( 10x14) WALL FIXATION



6B2AB000033 - EQX2 100010-T  
6B2AB000025 - EQX2 100010-TX  
6B2AB000032 - EQX2 125010-T

MATERIAL		MATERIAL		CUT TOLERANCES	FOLD TOLERANCES
<b>COATING</b>				< 100mm: $\pm 0,1$ mm	< 500mm: $\pm 0,5$ mm
MATERIAL	THICKNESS	COLOUR	FINISHING	100 TO < 500mm: $\pm 0,2$ mm	500 TO < 1000mm: $\pm 1$ mm
				500 TO < 1000mm: $\pm 0,3$ mm	> = 1000mm: $\pm 2$ mm
				> = 1000mm: $\pm 0,5$ mm	DRILL TOLERANCES
				ANGULAR TOLERANCES	< $\emptyset$ 6mm: $\pm 0,1$ mm
				$\pm 0,5^\circ$	> - $\emptyset$ 6mm: $\pm 0,2$ mm
		<b>N° DIAGRAM</b> FB252A05			
		<b>PAGE / PAGES</b> 1 / 1			
<b>DRAWN BY</b> LUCAS CARROZA		<b>6B2AB EQX2 T 80-125KW</b> VIEWS & DIMENSIONS		<b>FORMAT: A3</b>	
<b>DATE</b> 28/07/2022					