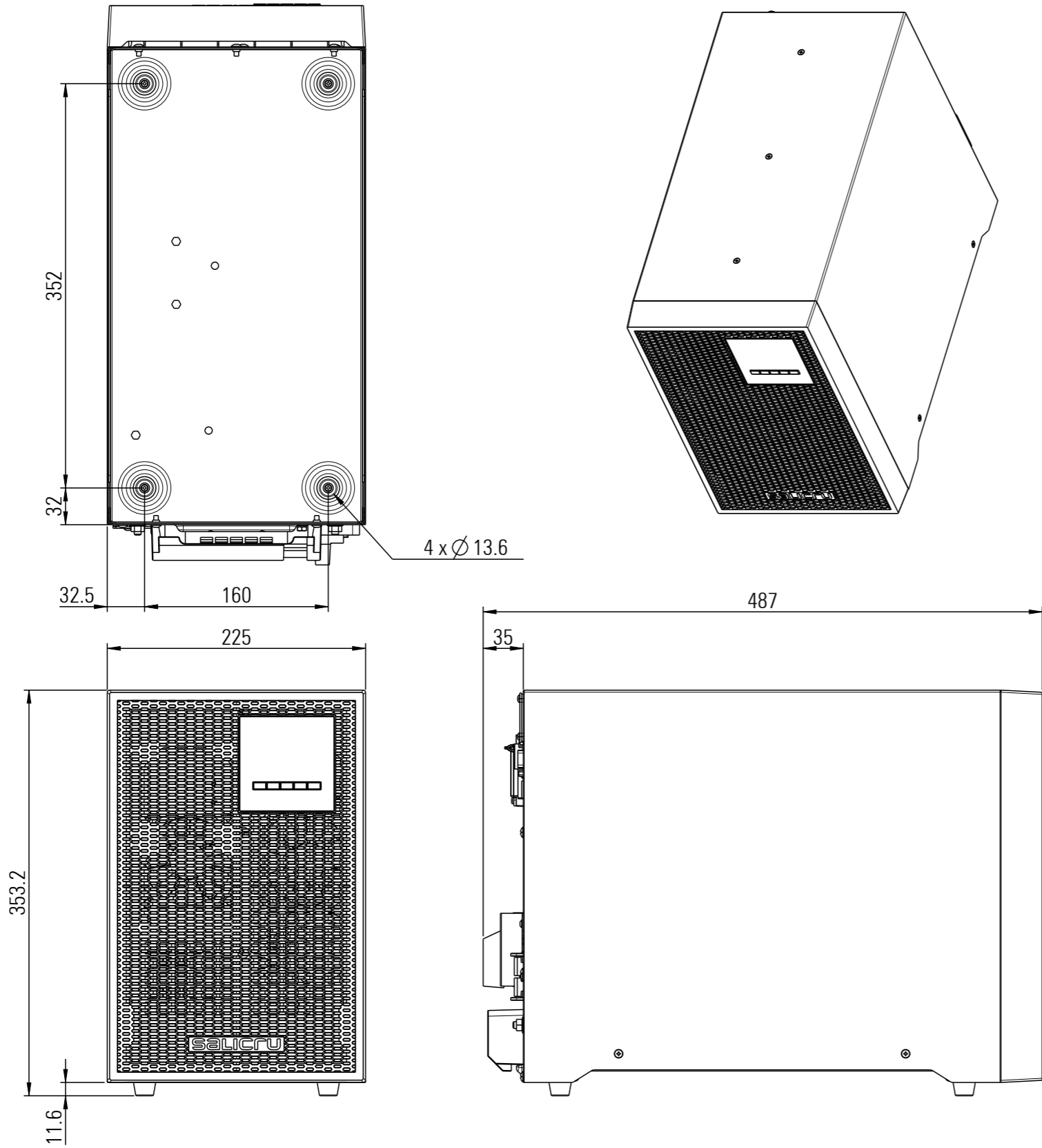
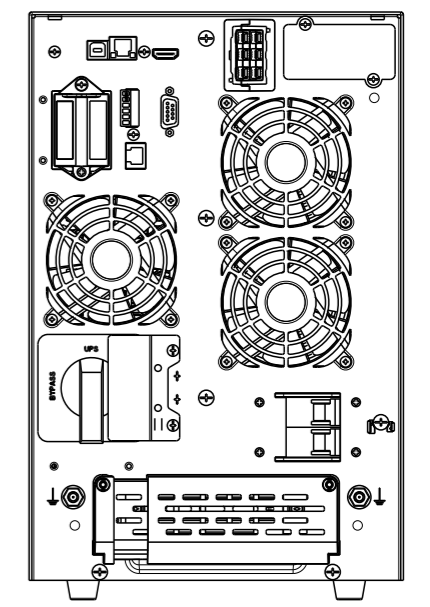
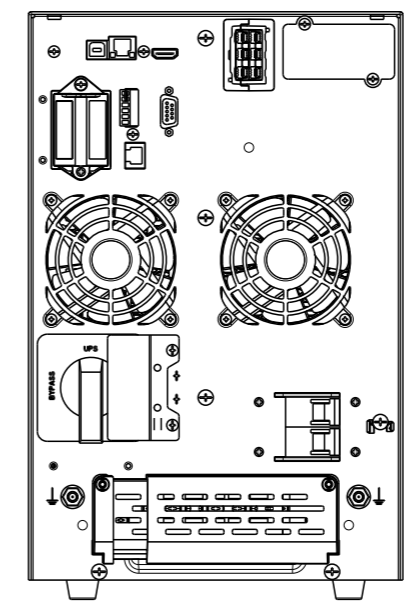


A
B
C
D
E
F
G
H
I
J



6B5AB000006 - SLC-6000-TWIN PRO3 B1

6B5AB000007 - SLC-10000-TWIN PRO3 B1



MATERIAL		MATERIAL		CUT TOLERANCES	FOLD TOLERANCES
COATING				< 100mm: ±0.1mm	< 500mm: ±0.5mm
MATERIAL	THICKNESS	COLOUR	FINISHING	100 TO < 500mm: ±0.2mm	500 TO < 1000mm: ±1mm
				500 TO < 1000mm: ±0.3mm	> = 1000mm: ±2mm
				> = 1000mm: ±0.5mm	DRILL TOLERANCES
				ANGULAR TOLERANCES	< Ø 6mm: ±0.1mm
				±0.5°	> = Ø 6mm: ±0.2mm
	N° DIAGRAM				
	FB277A00				
DRAWN BY		PAGE / PAGES		SLC-6000/10000-TWIN PRO3 B1 COMMERCIAL VIEWS	
JORDI NAVARRO		1 / 1			
DATE		FORMAT: A3			
21/12/2022		E: 1/4		REMARKS:	